



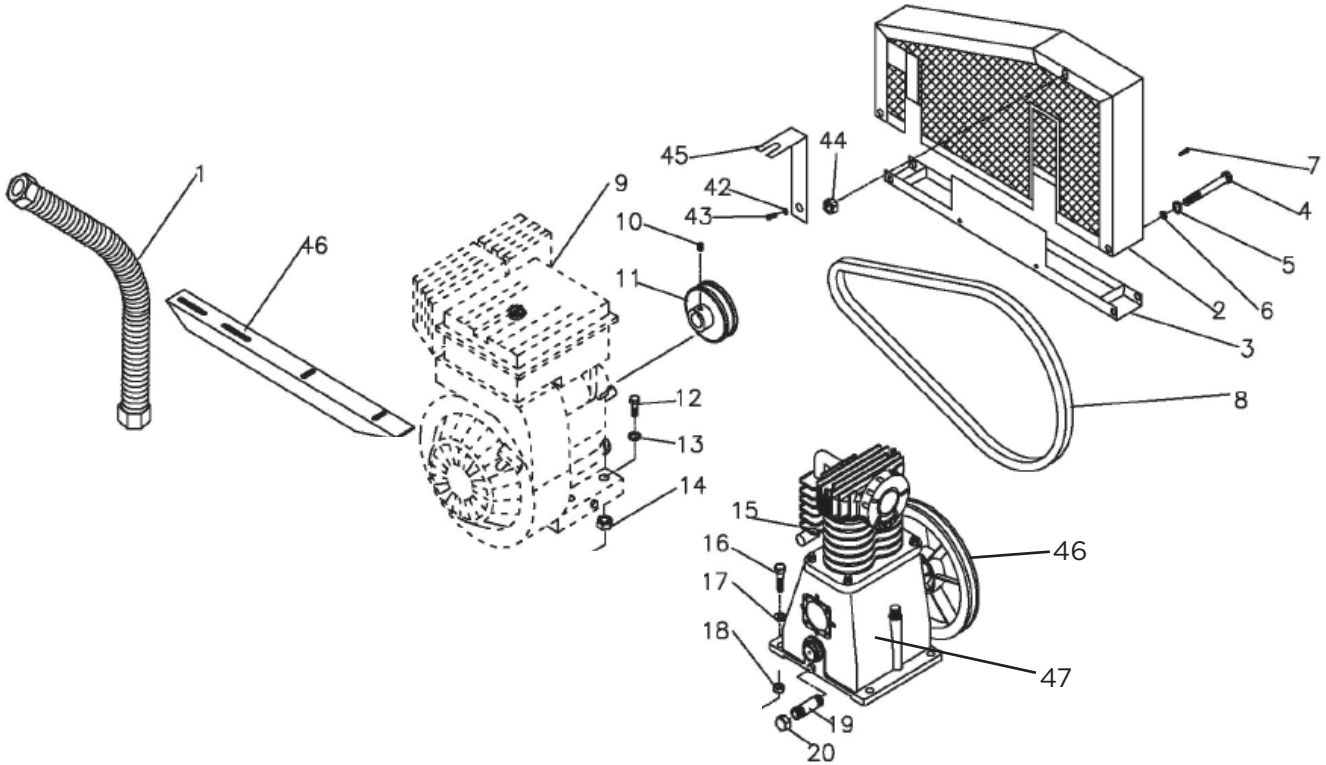
PARTS BREAKDOWN

AIR COMPRESSOR

MODEL: PA-C6508



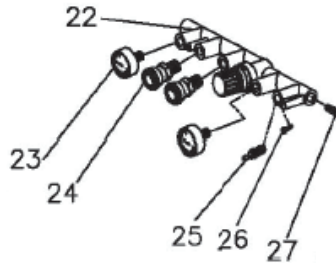
PUMP AND PLUMBING



REF #	DESCRIPTION	QTY	PART #
1	Steel Braided Discharge Pipe	1	PA-P42004020
2	Belt Guard Assembly	1	PA-P42008013
8	Belt	1	PA-P42004021
11	Motor Pulley	1	PA-P42004029
45	Belt Gaurd Bracket	1	PA-P42004032
46	Pump Pulley	1	PA-P42008010
47	Complete Pump Assembly (includes Pulley)	1	PA-P42004022
9	Honda GX200 Engine	1	Check with Honda

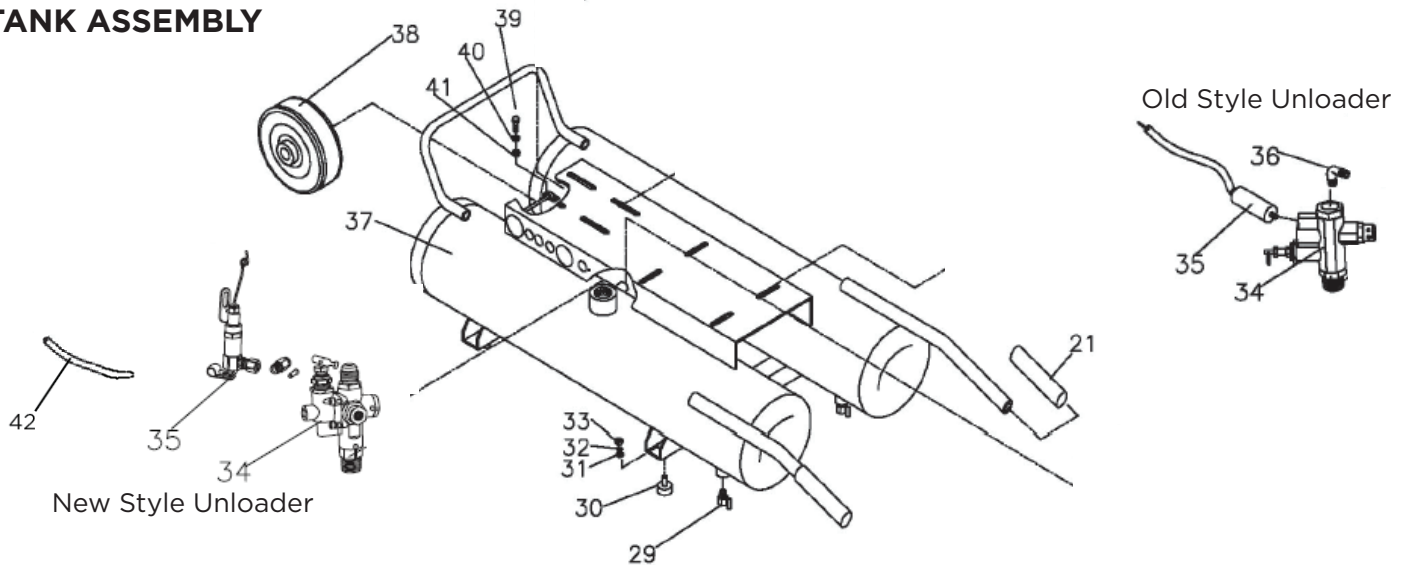
***CHECK WITH HONDA FOR ENGINE BREAKDOWN AND PARTS**

MANIFOLD ASSEMBLY



REF #	DESCRIPTION	QTY	PART #
22	Bare Manifold	1	PA-P42004023
23	Pressure Gauge	2	PA-P42004031
24	Quick Couplers	2	PA-P42000047
25	Safety Valve	1	PA-P42006009
22-27	Complete Manifold Assembly	1	PA-P42004011

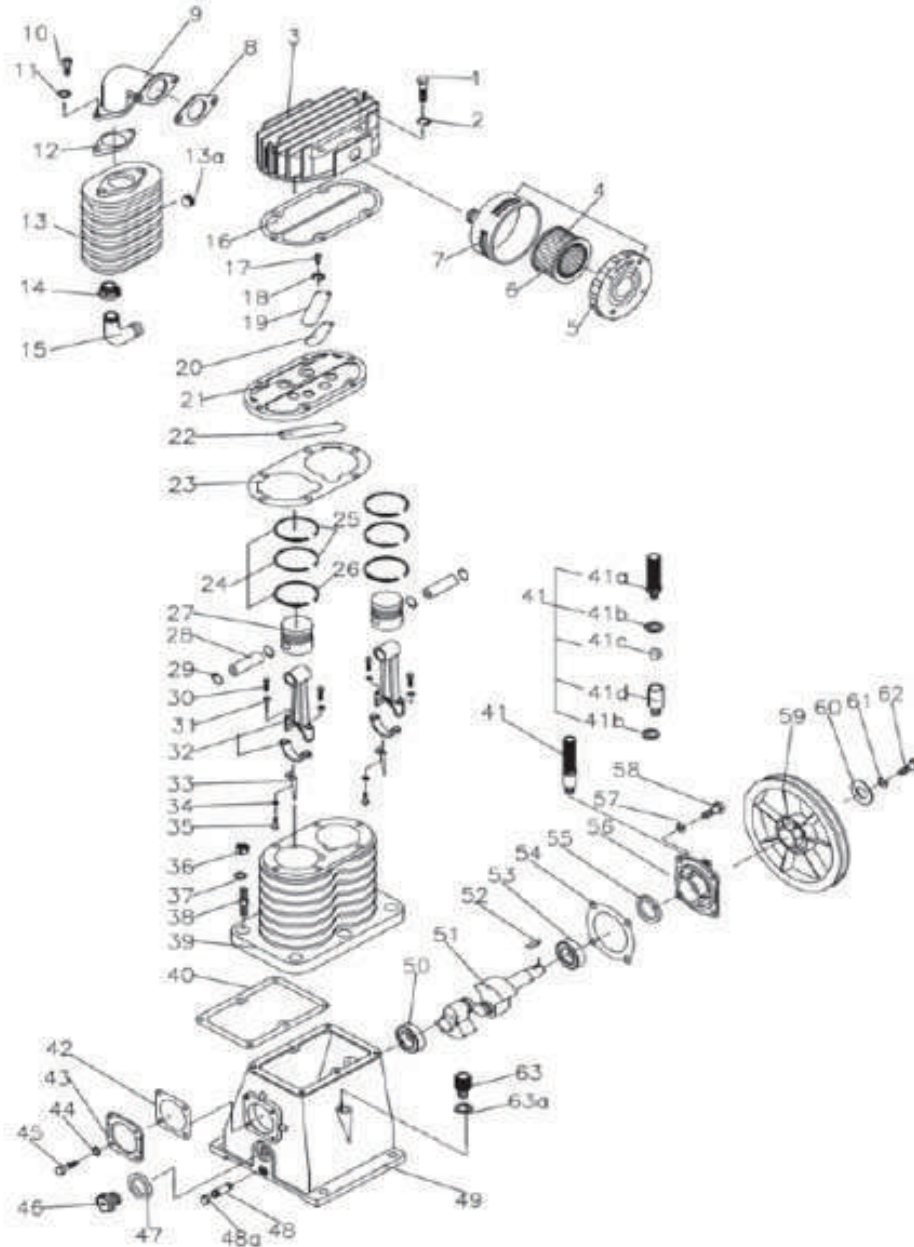
TANK ASSEMBLY



REF #	DESCRIPTION	QTY	PART #
38	Wheel	1	PA-P42004010
29	Tank Drain Valve	2	PA-P42004025
30-33	Rubber Foot Replacment Kit (each)	4	PA-P42660007BT
34	Pilot Unloader Valve	1	PA-P42010024
35	Engine Throttle Control	1	PA-P42010026
42	Engine Throttle Hose	1	PA-P42010029
34,35,42	Unloader Replacement Kit*	1	PA-P42010044

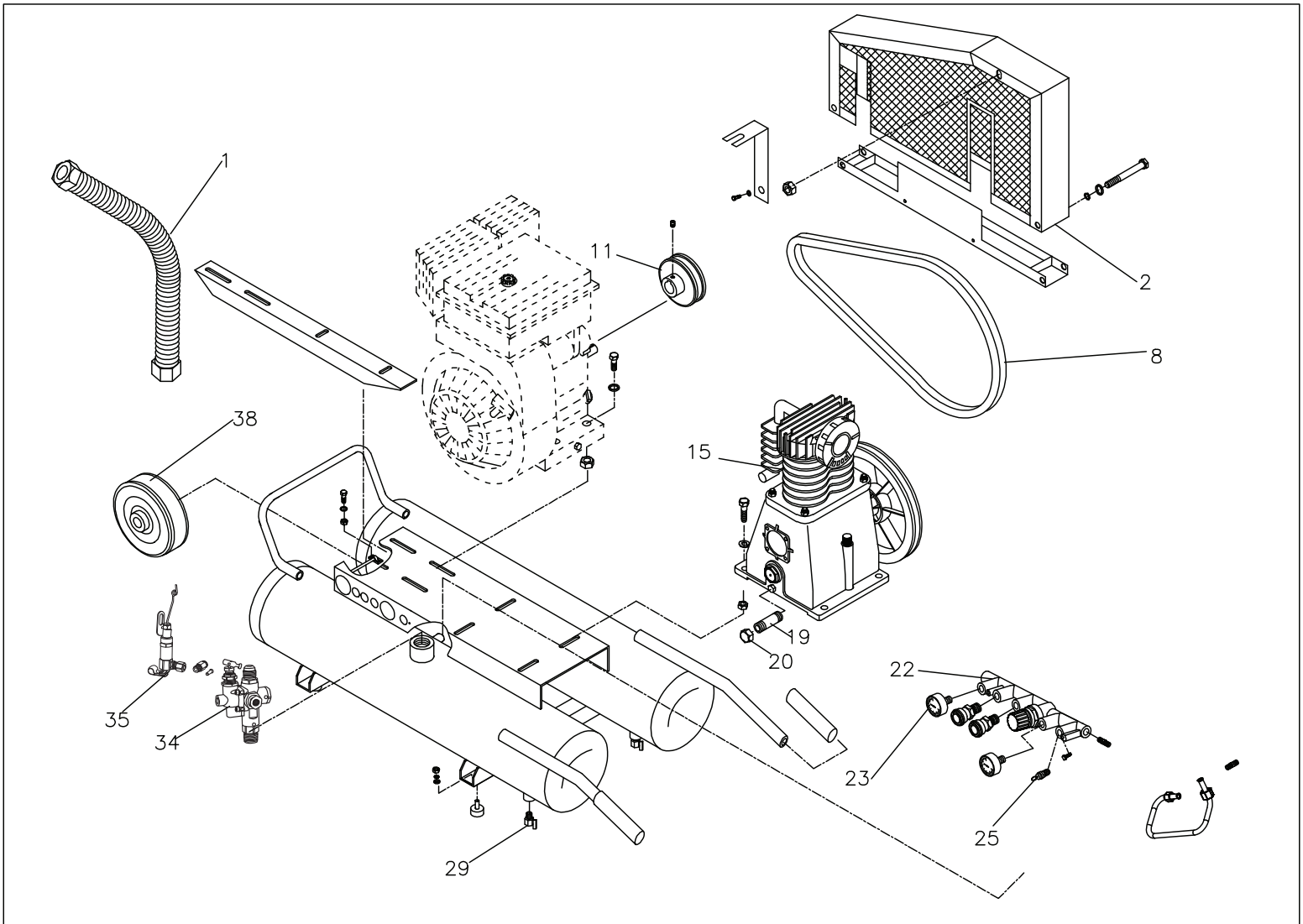
*Old style units had wire actuated throttle cables. New version is pneumatic actuated. Replacemnt kit upgrades old style into new.

PUMP ASSEMBLY



REF #	DESCRIPTION	QTY	PART #
3	Cylinder Head	1	PA-P42008009
4	Air Filter Assembly	1	PA-P42004028
16	Cylinder Head Gasket	1	PA-P42008014
41	Breather Assembly	1	PA-P42004030
59	Pump Pulley	1	PA-P42008010
63	Oil Breather Plug	1	PA-P42008011
63a	Oil Breather Plug Washer	1	PA-P42008012
**	Complete Pump Assembly	1	PA-P42004022

**COMPLETE ASSEMBLY
(FOR REFERENCE)**



patron[®]