

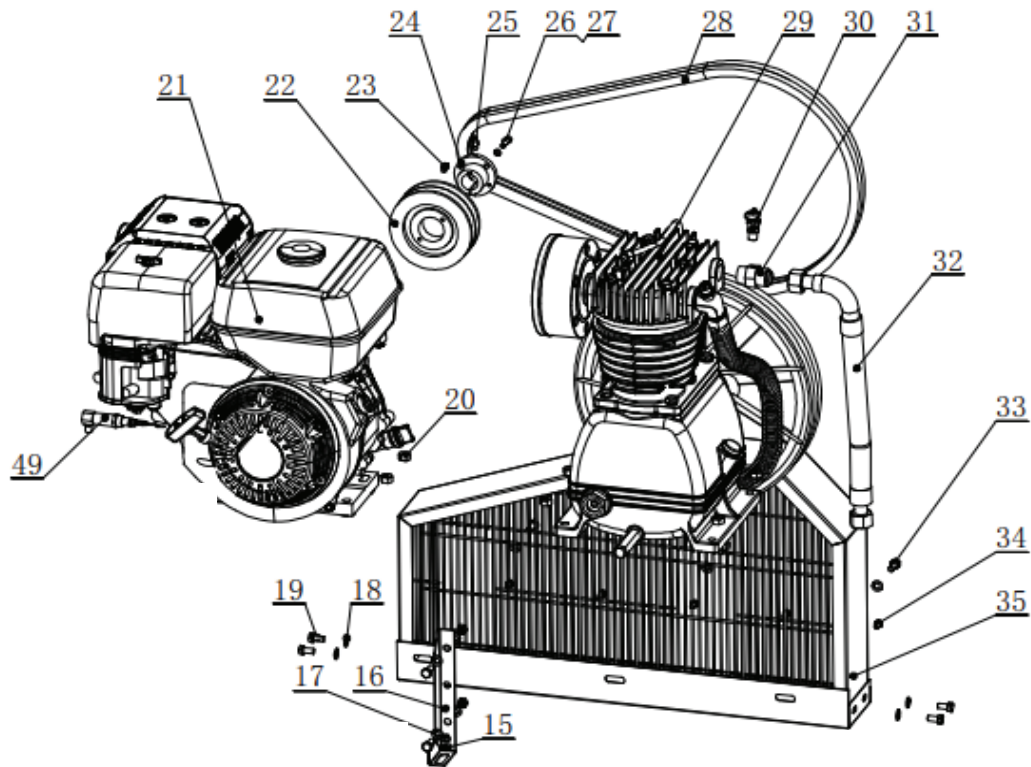


PARTS BREAKDOWN AIR COMPRESSOR

MODEL: PA-C9008B



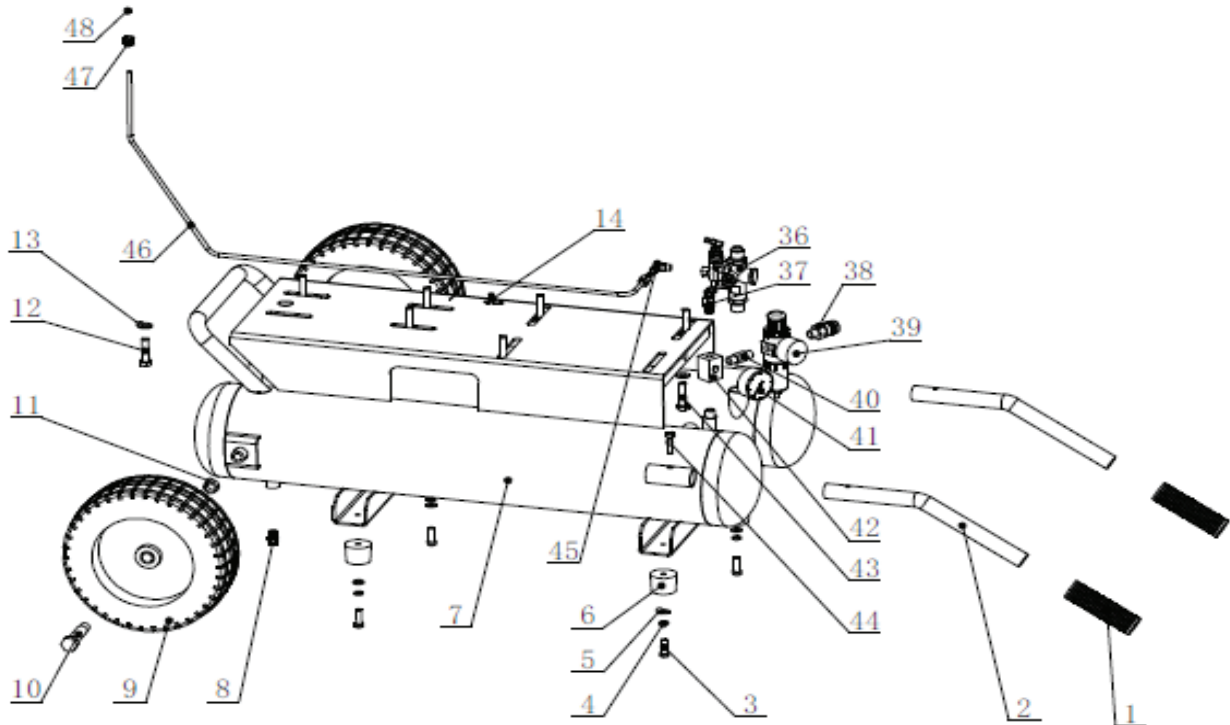
PUMP AND PLUMBING



REF #	DESCRIPTION	QTY	PART #
22	Pulley	1	PA-P42005133
23	Plain Key	1	
24	Pulley Bushing	1	
25	Socket Head Cap Screw	1	
26	Hex Socket Head Cap Screw	2	
28	V-Belt	2	PA-P42005134
29	Compressor Pump LH4T -New Style (Complete)	1	PA-P42005139
32	Flex Line	1	PA-P42005135
16	Belt Guard Holder	1	PA-P42005136
18	Plain Washer 6	4	
19	Hex Bolt M6x20	4	
35	Belt Guard	1	
49	Honda GX270 Engine	1	Check with Honda

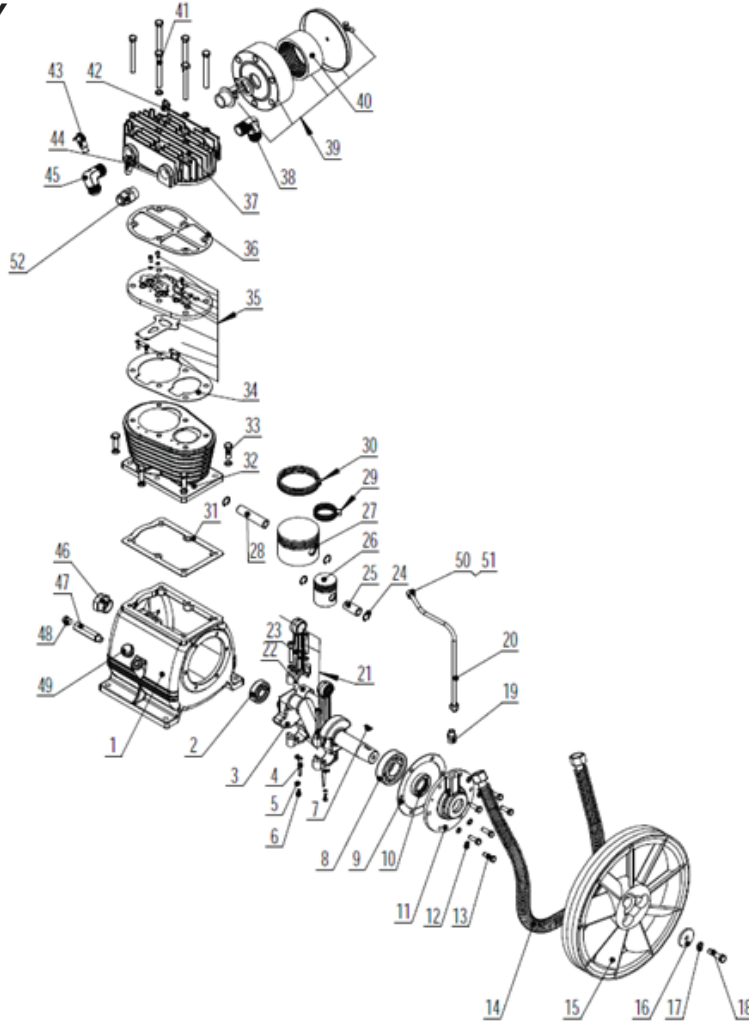
***CHECK WITH HONDA FOR ENGINE BREAKDOWN AND PARTS**

TANK ASSEMBLY



REF #	DESCRIPTION	QTY	PART #
8	Tank Drain	2	PA-P42001051
9	10" Wheel (each)	2	PA-P42005126
10	Wheel Bolt M14	2	PA-P42005132
11	Wheel Ring 16	2	
36	Unloading Check Valve	1	PA-P42010025
37	ASME Safety Relief Valve	1	PA-P42010028
38	Quick Coupler	1	PA-P42000046
39	Regulating & Filter Valve	1	PA-P42010010

PUMP ASSEMBLY



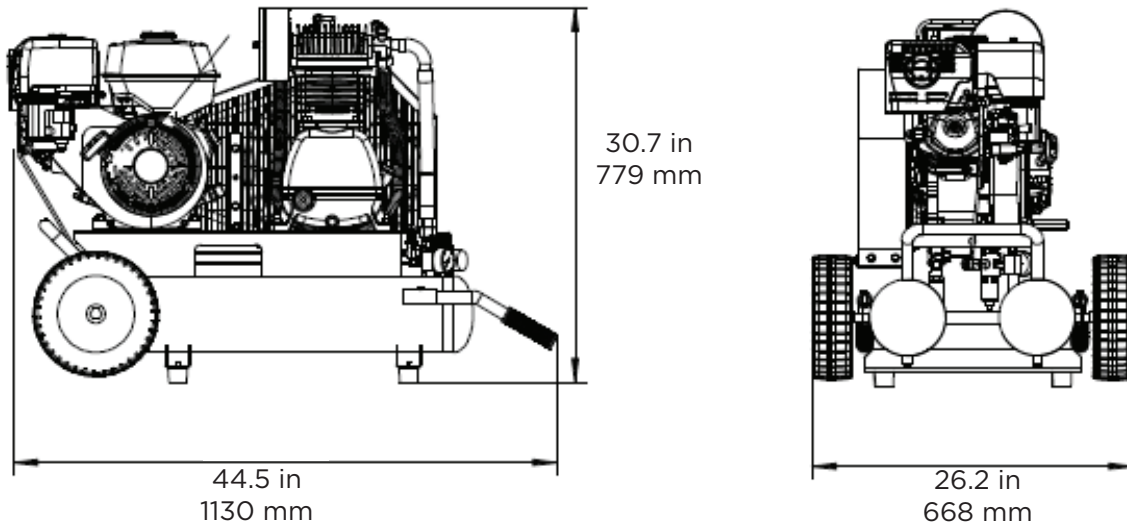
REF #	DESCRIPTION	QTY	PART #
9,10,31,34,35,37	Gasket Assembly	1	PA-P42005115
14	Intercooler Tube	1	PA-P42005140
15a	Pump Pulley Assembly (Current Single Channel type)	1	PA-P42005138
15b	Pump Pulley Assembly (Old Style 2A Groove type)	1	PA-P42005114
39	Alir Filter Assembly - 3/4"NPT thread	1	PA-P42004028
20	Breather Tube	1	PA-P42005118
46	Oil Sight Glass	1	PA-P42005109
47	Oil Drain Tube 1/4"	1	PA-P42004033
48	Oil Plug	1	PA-P42005110
35	Valve Plate Assembly	1	PA-P42005116
29-30	Piston Ring Set ZD95T	1	PA-P42005117
47-48	Oil Drain Tube and Plug	1	PA-P42005120



PARTS BREAKDOWN AIR COMPRESSOR

MODEL: PA-C9008B

DIMENSIONS



DIMENSION	MEASUREMENT	QTY
LENGTH	INCHES	44.5
	MILLIMETERS	1130
WIDTH	INCHES	26.2
	MILLIMETERS	668
HEIGHT	INCHES	30.7
	MILLIMETERS	779

patron[®]

