

TranzSporter

Parts Details LH200, LH2000, LH400, LH4000, Track Sections & Engines

Updated: 8/18/14

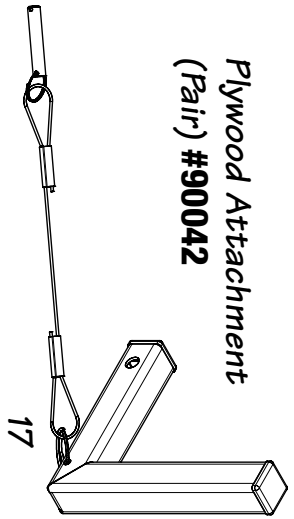


**TIE DOWN ENGINEERING • 255 Villanova Drive SW • Atlanta, GA 30336
www.tiedown.com (404) 344-0000 Fax (404) 349-0401**

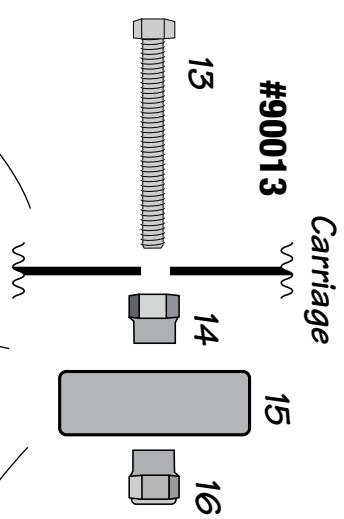


081814,E1248

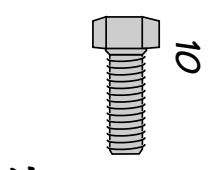
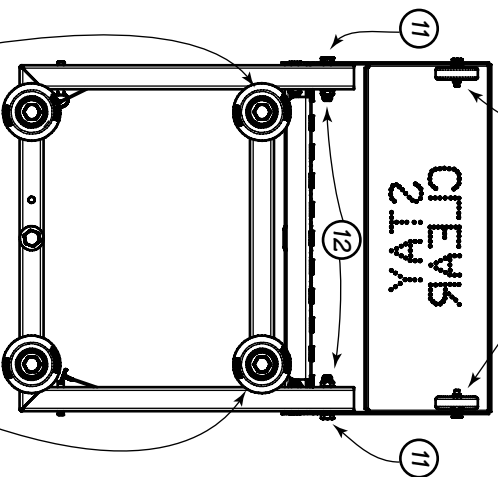
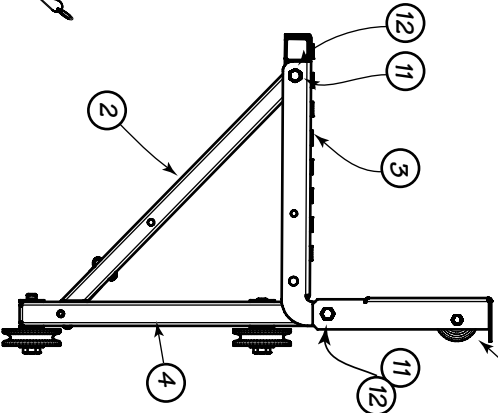
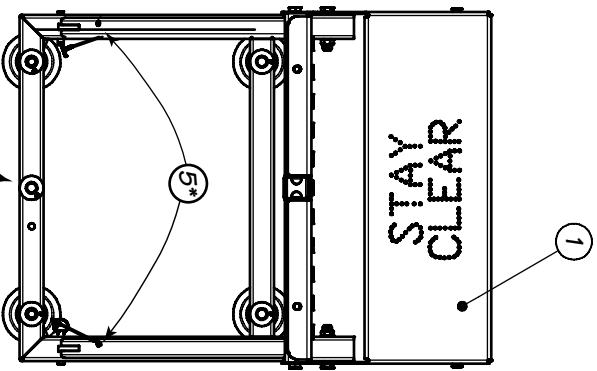
Plywood Attachment
(Pair) #90042



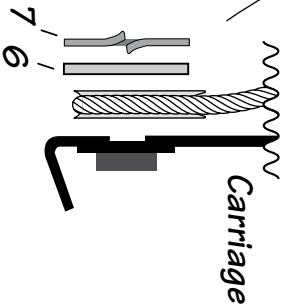
#90013 Carriage



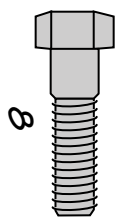
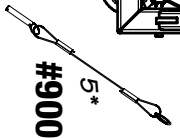
TranzSporter
LH200 & LH2000
Collapsible Platform
Parts Detail
Updated: 5/18/12



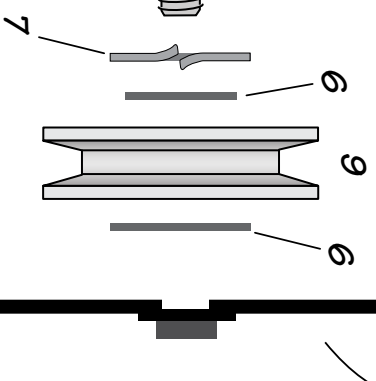
#90041



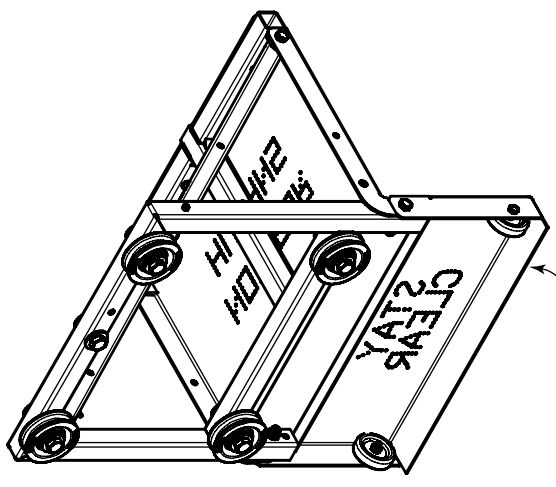
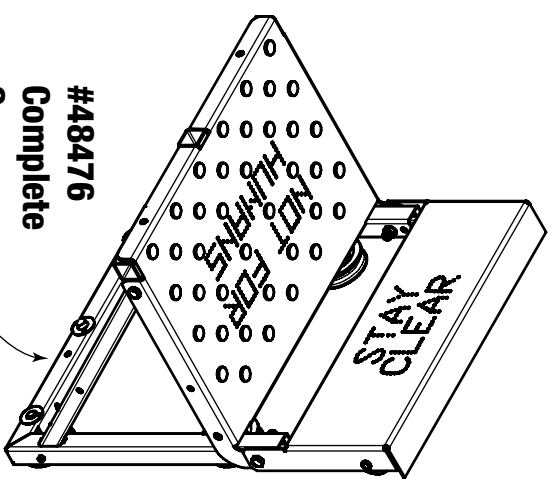
#90036



#90040

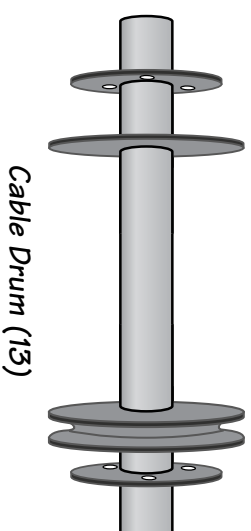
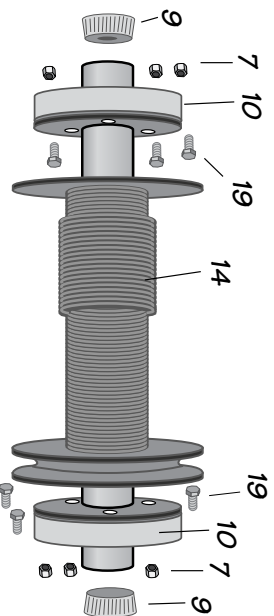


#48476
Complete
Carriage



Number	Kit Part #	TDE Part #	Description	Kit Contains (Quantity-Part #)
1	90007	10033	Strap Brake	1-10033, 1-10049, 2-10603, 1-48510, 1-13211, 1-10650
2	10034	10034	Belt B 50ln. (SL500)	1-10033, 1-10049, 2-10603, 1-48510, 1-13211, 1-10650
3	90007	10049	Spring Extension	1-10033, 1-10049, 2-10603, 1-48510, 1-13211, 1-10650
4	48572A	48572A	Lift Hoist Platform Frame for Collapsible Carriage -No Hardware	1-10033, 1-10049, 2-10603, 1-48510, 1-13211, 1-10650
5	90007	10603	Cotter Pin 3/32"x1/2"	2-10604
6	90008	10604	Cotter Pin Hair 111-20	1-10033, 1-10049, 2-10603, 1-48510, 1-13211, 1-10650
7	90007	10650	Nylon Hex Nut 5/16"-18	1-10946, 1-10027
8	90003	10946	Bolt HHCS 1/4-20	2-11080
9	90009	11080	Bearing 1.375 x 5/8" x 1/2"	1-10033, 1-10049, 2-10603, 1-48510, 1-13211, 1-10650
10	13000	13000	Drum Brake 4"	1-50383
11	90007	13211	Eye Bolt 5/16" x 3" zinc	1-10033, 1-10049, 2-10603, 1-48510, 1-13211, 1-10650
12	48505	48505	Brake Control Shaft	
13	see 48493A	48493	Cable Drum only (no bearings, cable or brake drum)	
14	90010	50383	Cable 5/32" x 100'	
15	48509	48509	Cable Drum Shaft	
16	90007	48510	Brake Linkage	1-10033, 1-10049, 2-10603, 1-48510, 1-13211, 1-10650
17	48515	48515	Brake Control Weldment	
18	90036	48594-4	Lanyard with safety pin	2-48594-4
19	10575	10575	Bolt 5/16" x 3/4" Grade 5	1-10946, 1-10027
20	90003	10027	Nut 1/4" zinc	
21	48477	48477	Complete 3' platform Base with all hardware	
22	48493A	48493A	Complete Drum Assembly (LH200)	
23	48506A	48506A	Brake Handle with Rubber Grip	1-48511A, 1-10953, 1-10650
24	90011	48511A	Complete Safety Shoe (1)	1-48511A, 1-10953, 1-10650
25	90011	10953	Bolt 5/16" x 1-1/4" HHCS	2-48493-2, 2-10913
26	90038	48493-2	Spacing Fork	2-48493-2, 2-10913
27	90038	10913	3/8-10 Bolt	1-48511A, 1-10953, 1-10650
28	90039	90039	T handle screw with spring for 48506A handle	2-17536
29	90037	17536	End Caps	
	48508A	48508A	NON-Quick Change Complete Drum Assembly LH200	

LH 200 Complete Drum Assembly (22)



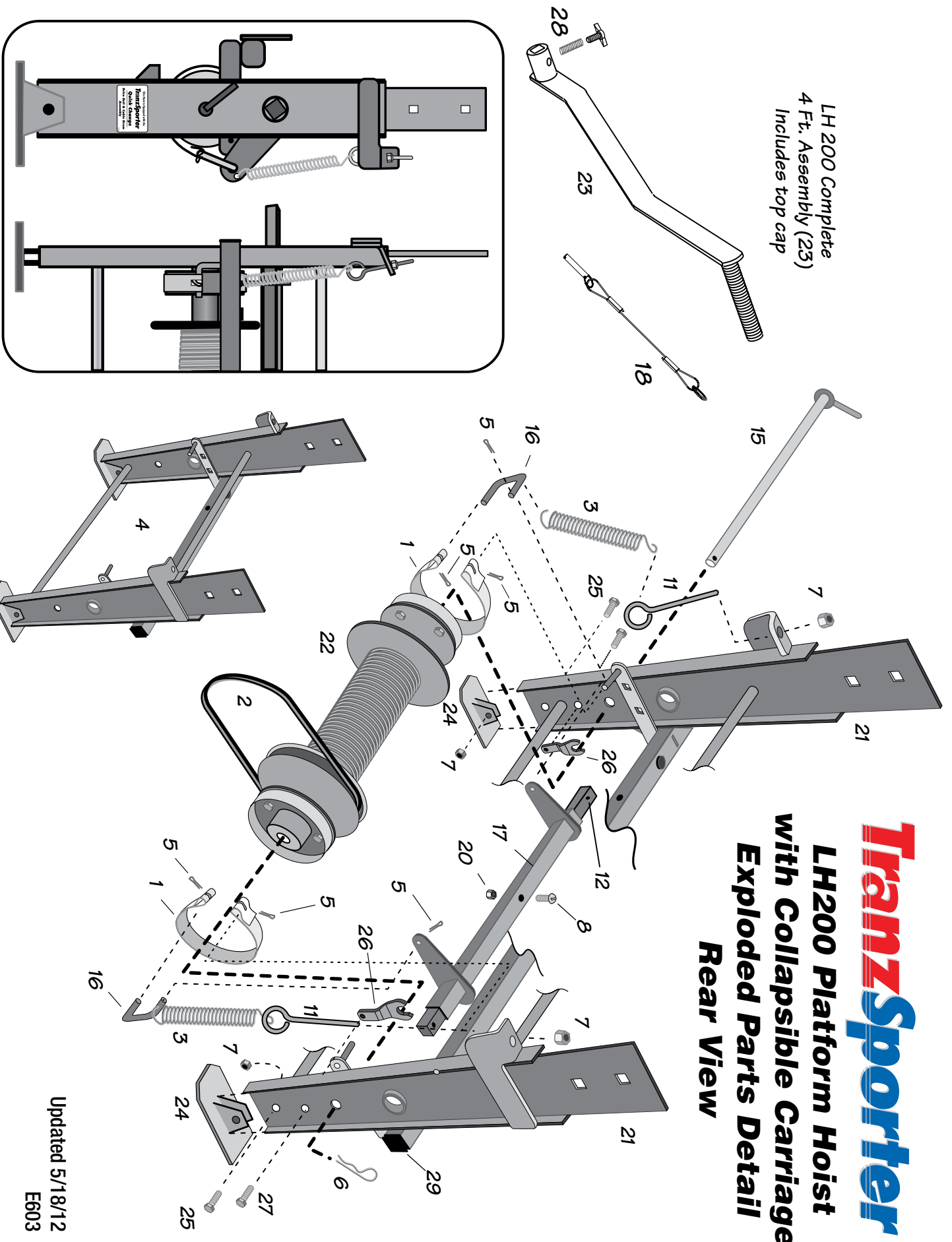
Cable Drum (13)

Updated 8/18/14
E603

TranzSporter

LH200 Platform Hoist with Collapsible Carriage Exploded Parts Detail Rear View

LH 200 Complete
4 Ft. Assembly (23)
Includes top cap

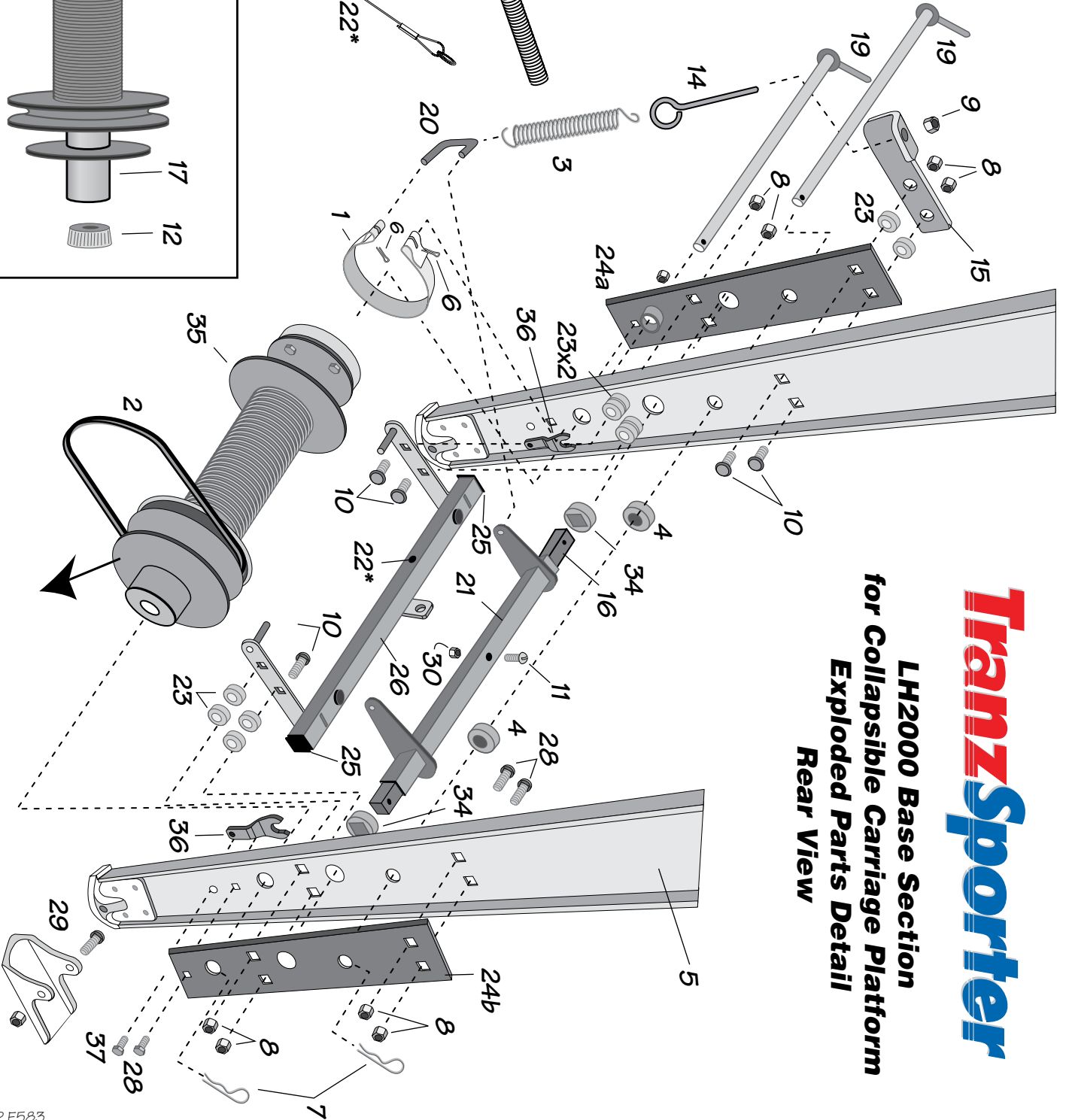
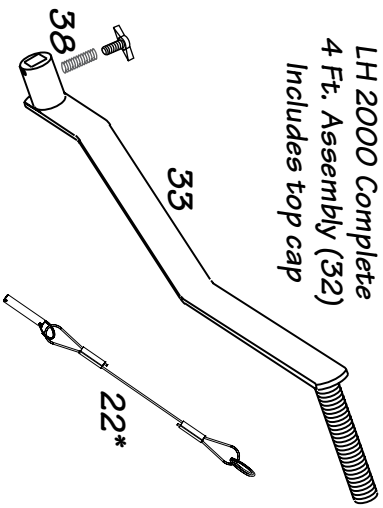
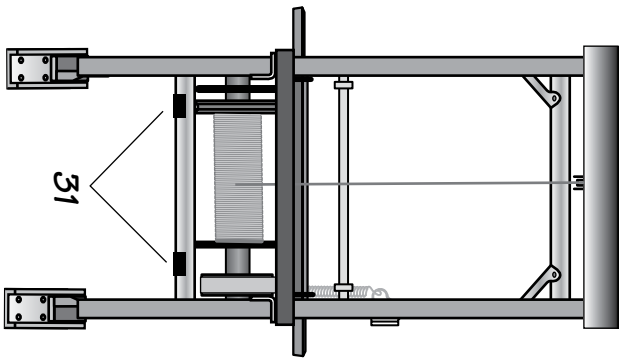


Updated 5/18/12
E603

Number	Kit Part #	TDE Part #	Description	Kit Contains (Quantity-Part #)
1	90007	10033	Strap Brake	1-10033, 1-10049, 2-10603, 1-48510, 1-13211, 1-10650
2	10047	10047	Bolt B 5tin. (5L510) formerly #10034 50"	1-10033, 1-10049, 2-10603, 1-48510, 1-13211, 1-10650
3	90007	10049	Spring Extension	2-10057
4	90001	10057	Screw Collar 5/8"x1-1/8x1/2x1/4	1-10033, 1-10049, 2-10603, 1-48510, 1-13211, 1-10650
5	10083	10083	Lift Hoist Platform 4ft. w/Safety Shoes	1-10033, 1-10049, 2-10603, 1-48510, 1-13211, 1-10650
6	90007	10603	Cotter Pin 3/32"x1/2"	2-10604
7	90008	10604	Cotter Pin Hair 111-20	1-10627, 4-10804, 6-10916, 10-48519, 1-48572-2R-P, 1-48489L, 1-48489R.
8	90035	10627	Nyloc Nut 3/8"	1-10033, 1-10049, 2-10603, 1-48510, 1-13211, 1-10650
9	90007	10650	Nyloc Hex Nut 5/16"-18	1-10033, 1-10049, 2-10603, 1-48510, 1-13211, 1-10650
10	90035	10916	Carriage Bolt 3/8"x1.5 full thread	1-10946, 1-10027
11	90003	10946	Bolt HHCS 1/4-20	2-11080
12	90009	11080	Bearing 1.375 x 5/8" x 1/2"	1-10033, 1-10049, 2-10603, 1-48510, 1-13211, 1-10650
13	13000	13000	Drum Brake 4"	10-10627, 4-10804, 6-10916, 10-48519, 1-48572-2R-P, 1-48489L, 1-48489R.
14	90007	13211	Eye Bolt 5/16" x 3" zinc	1-50383
15	90035	48572-2R-P	Right Carriage Lock Down Bar	1-10033, 1-10049, 2-10603, 1-48510, 1-13211, 1-10650
16	48505	48505	Brake Control Shaft	10-10627, 4-10804, 6-10916, 10-48519, 1-48572-2R-P, 1-48489L, 1-48489R.
17	See 48493B	48493	Cable Drum only (no bearings, cable or brake drum)	
18	90010	50383	Cable 5/32" x 100'	
19	48509	48509	Cable Drum Shaft	
20	90007	48510	Brake Linkage	1-10033, 1-10049, 2-10603, 1-48510, 1-13211, 1-10650
21	48515	48515	Brake Control Weldment	
22	90036	48594-4	Lanyard with safety pin	2-48594-4
23	90035	48519	Guide Wheel Shim	10-10627, 4-10804, 6-10916, 10-48519, 1-48572-2R-P, 1-48489L, 1-48489R.
24A	90035	48489R	Hoist Drive Support Plate	10-10627, 4-10804, 6-10916, 10-48519, 1-48572-2R-P, 1-48489L, 1-48489R.
24B	90035	48489L	Hoist Drive Support Plate	10-10627, 4-10804, 6-10916, 10-48519, 1-48572-2R-P, 1-48489L, 1-48489R.
25	90037	17536	End Caps	2-17536
26	48572-1PA	48572-1PA	Carriage Stop Weldment	
27	10575	10575	Bolt 5/16" x 3/4"	
28	90035	10804	Carriage Bolt 3/8"-16 x 1"	10-10627, 4-10804, 6-10916, 10-48519, 1-48572-2R-P, 1-48489L, 1-48489R.
29	90005	10096	Safety Shoes, includes nuts and bolts (pair)	2-10096
30	90003	10027	Nut 1/4" zinc	1-10946, 1-10027
31	NA	48563	Rung Protectors	
32	62003	62003	4' Complete Hoist Base Assembly & Top Cap	
33	48506A	48506A	Complete Brake Handle with Rubber Grip	
34	90006	48564	Brake Control Spacer	2-48564
35	48493B	48493B	Complete Drum Assembly Quick Change LH2000	
36	90038	48493-2	Spacing Fork	2-48493-2, 2-10913
37	90038	10913	3/8-10 Bolt	2-48493-2, 2-10913
38	90039	90039	T handle screw with spring for 48506A handle	Bolt spring and plastic t-handle
	62004	62004	8' Complete LH2000 Base Assemb with top cap	
	48508B	48508B	NON- Quick Change Complete Drum Assembly LH2000	

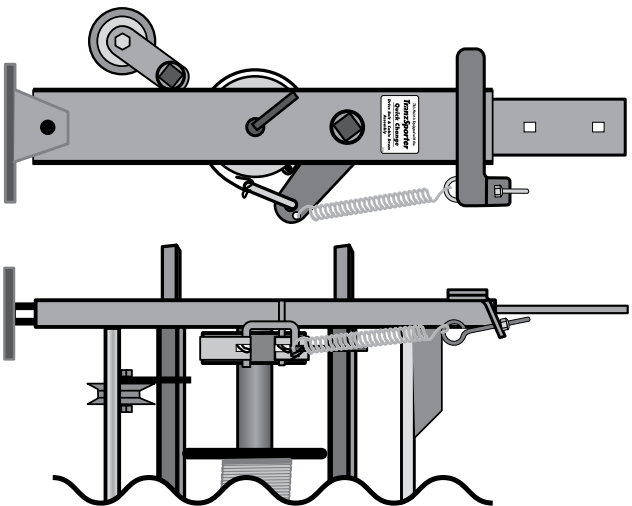
TranzSporter

LH2000 Base Section for Collapsible Carriage Platform Exploded Parts Detail Rear View

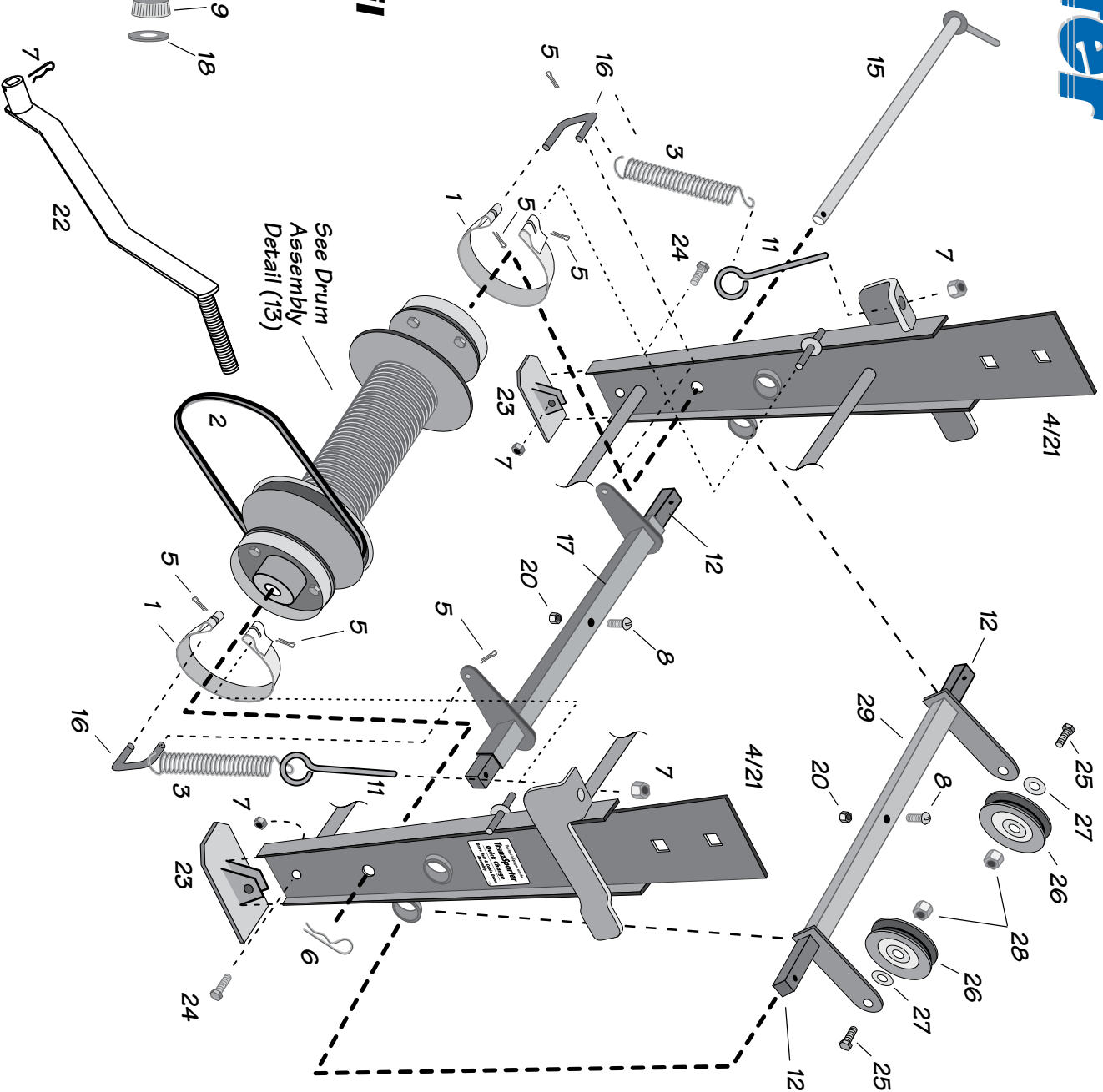
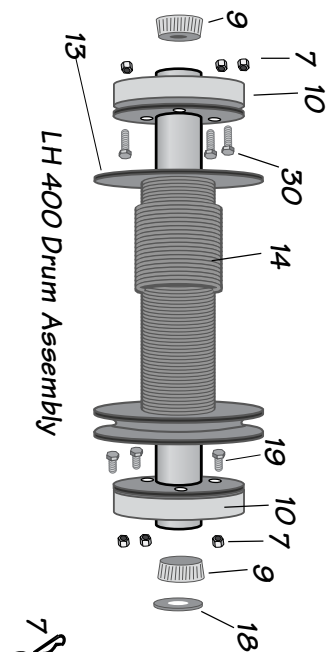


TanzSporter LH400 Base Parts Detail List

Number	Kit Part #	TDE Part #	Description	Kit Contains (Quantity-Part #)
1	90027	10033	10033 Strap Brake	1-10033, 1-10041, 2-10603, 1-48510, 1-13203, 1-10650
2	10047	10047	Bolt B 5/16" (5L510) formerly #10034 50"	1-10033, 1-10041, 2-10603, 1-48510, 1-13203, 1-10650
3	90027	10041	Spring Brake	1-10033, 1-10041, 2-10603, 1-48510, 1-13203, 1-10650
4	48521	48521	Platform Base	1-10033, 1-10041, 2-10603, 1-48510, 1-13203, 1-10650
5	90027	10603	10603 Cotter Pin 3/32"x1/2"	2-10604
6	90008	10604	10604 Cotter Pin Hair 111-20	1-10033, 1-10041, 2-10603, 1-48510, 1-13203, 1-10650
7	90027 or see 90011	10650	10650 Nyloc Hex Nut 5/16"	1-10033, 1-10041, 2-10603, 1-48510, 1-13203, 1-10650
8	90003	10946	10946 Bolt HHCS 1/4-20	1-10946, 1-10027
9	90009	11080	11080 Bearing 1.375 x 5/8" x 1/2"	2-11080
10	13000	13000	13000 Drum Brake 4"	1-10033, 1-10041, 2-10603, 1-48510, 1-13203, 1-10650
11	90027	13203	1321 Eye Bolt 5/16" x 3" zinc	1-10033, 1-10041, 2-10603, 1-48510, 1-13203, 1-10650
12	48523	48523	Brake Control Shaft	
13	48491B	48491B	Cable Drum with 130' cable (complete)	
14	90034	50384	Cable 3/16" x 130'	1-50384
15	48525	48525	Cable Drum Shaft	
16	90027	48510	48510 Brake Linkage	1-10033, 1-10041, 2-10603, 1-48510, 1-13203, 1-10650
17	48524	48524	Brake Control Weldment	
18	90012	48517	48517 Cable Drum Shim	2-48517
19	10518	10518	Bolt 5/16" x 3/4"	
20	90003	10027	1/4" Nut	1-10946, 1-10027
21	64003	64003	Complete 3' Platform Base	
22	48506A	48506A	Brake Handle with Grip	
23	90011	48511A	Complete Safety Shoe	1-48511A, 1-10953, 1-10650
24	90011	10953	Bolt 5/16" x 1-1/4" HHCS	1-48511A, 1-10953, 1-10650
25	90014	10931	2" x 1/2" Bolt	2-13132, 6-10573, 2-10517, 2-10931, 2-10645
26	90014	13132	Sheave Idler	2-13132, 6-10573, 2-10517, 2-10931, 2-10645
27	90014	10573	Washer 1/2"	2-13132, 6-10573, 2-10517, 2-10931, 2-10645
28	90014	10645	Nyloc Nut	2-13132, 6-10573, 2-10517, 2-10931, 2-10645
29	48530	48530	Lift Control Weldment	
30	10935	10935	Bolt 5/16" x 1"	
	48522	48522	NON- Quick Change Complete Drum Assembly LH400	



LH400 Base Section Exploded Parts Detail Rear View

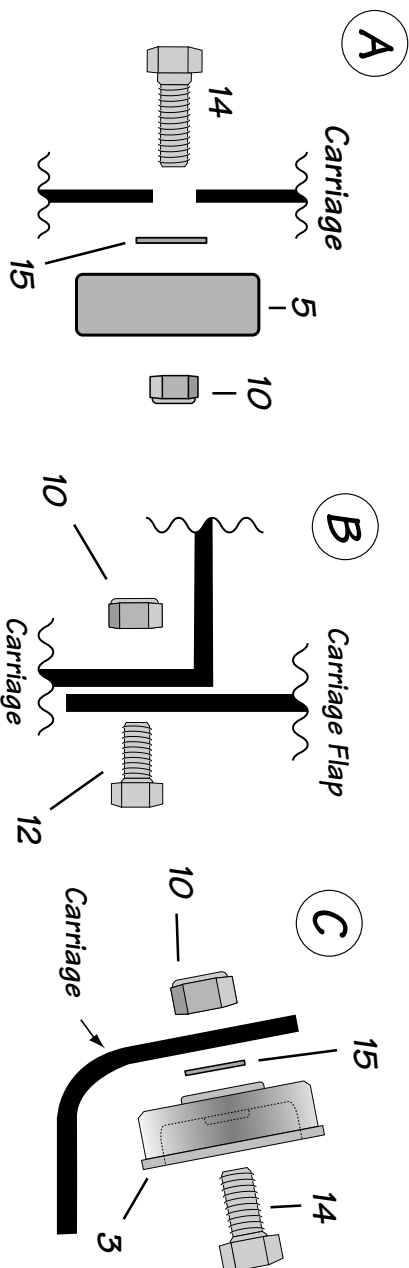


#	Kit Part #	TDE Part #	Description	Kit Contains (Quantity-Part #)
1	48520	48520	Carriage Frame	
2	48527	48527	Carriage Flap	
3	90026 or 90029	48556	Flanged Wheel Complete	See Below for 90026 & 90029
4	90026	48554	Clip Stop	See Below for 90026
5	90026	48536	Guide Wheels	See Below for 90026
6	48548	48548	Cable Retainer	
7	90026 or 90029	11083	Bearing Flange (inside guide bearing)	See Below for 90026 & 90029
8	90026 or 90029	11081	Bearing Flange (outside silver color guide bearing)	See Below for 90026 & 90029
9	90026 or 90029	13132	Sheave Idler pulley	See Below for 90026 & 90029
10	90026	10645	1/2" Nylon Nut (used on all bolts)	See Below for 90026
11	90026	BBB5000250	2-1/2" x 1/2" Bolt (for Sheave Idler pulley)	See Below for 90026
12	90026	10016	1" x 1/2" Bolt (for attaching flap to carriage)	See Below for 90026
13	90026	10931	2" x 1/2" Bolt (For ALL guide wheels and bearing flange guides)	See Below for 90026
14	90026	10806	1-1/2" x 1/2" Bolt (For 48556 Flange Wheels and Flap wheel)	See Below for 90026
15	90026	10517	Washer 1/2" x 3/4"	See Below for 90026
16	90028	48535	Latch Pin	1-10952, 1-10650, 2-17020-5, 1-10054, 1-48535, 1-17020-1, 1-48481-11
17	90026	10573	Washer 1/2"	See Below for 90026
18	90028	10054	Spring Compression 2"	1-10952, 1-10650, 2-17020-5, 1-10054, 1-48535, 1-17020-1, 1-48481-11
19	90028	10650	Nylon Nut 5/16"	1-10952, 1-10650, 2-17020-5, 1-10054, 1-48535, 1-17020-1, 1-48481-11
20	90028	10952	Bolt 5/16" x 1"	1-10952, 1-10650, 2-17020-5, 1-10054, 1-48535, 1-17020-1, 1-48481-11
21	90026	48519	Spacer	See Below for 90026
22	90028	17020-1	Latch Handle	1-10952, 1-10650, 2-17020-5, 1-10054, 1-48535, 1-17020-1, 1-48481-11
23	90028	48535	Plunger Safety Latch	1-10952, 1-10650, 2-17020-5, 1-10054, 1-48535, 1-17020-1, 1-48481-11
24	90028	17020-5	Latch Wear Plate	1-10952, 1-10650, 2-17020-5, 1-10054, 1-48535, 1-17020-1
	64001	64001	Complete Carriage	

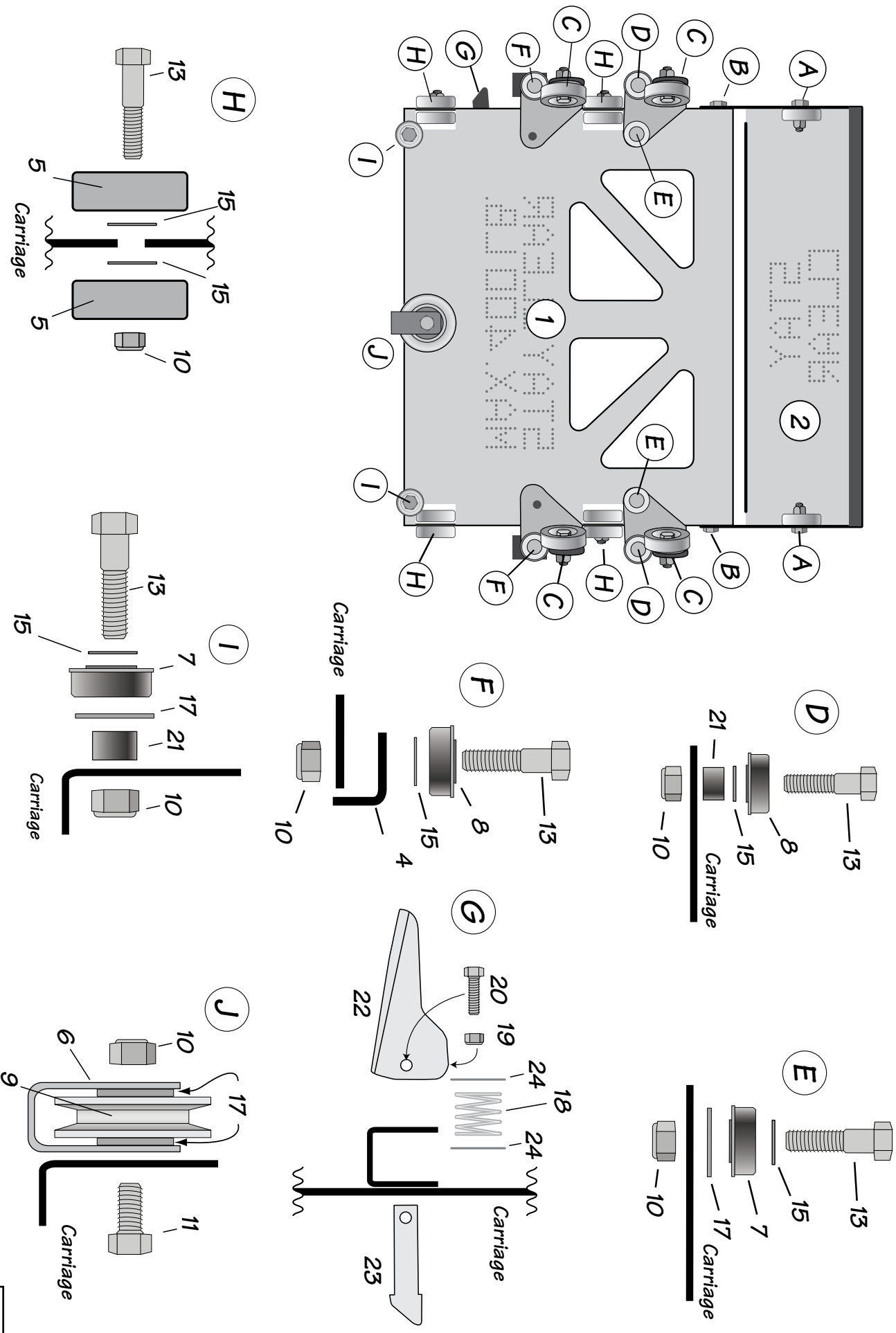
Kit Parts:

90026: 4-11081, 4-11083, 1-13132, 6-10806, 26-10517, 21-10645, 12-10016, 12-10931, 4-48519, 6-10573, 2-48554, 1-bbb5000250, 10-48536, 4-48556

90029: 4-11081, 4-11083, 4-48556, 1-13132"



081814_e648



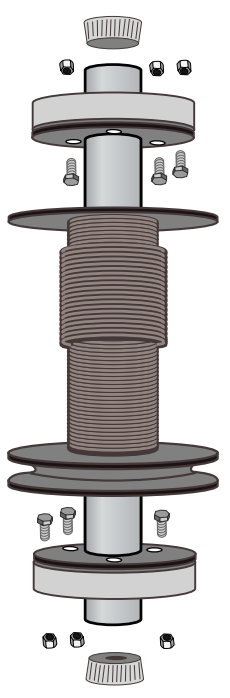
TranzSporter LH-4000 4 ft. Base Section

#	Kit Part #	TDE Part #	Description	Kit Contains (Quantity-Part #)
1	10089	10089	4' Alum Platform with Safety Shoes	
2	90033	48487	Right Carriage Stop	1-48487, 1-48488, 4-10916, 8-48519, 2-46434, 2-10806, 2-10645
3	90033	48488	Left CarriageStop	1-48487, 1-48488, 4-10916, 8-48519, 2-46434, 2-10806, 2-10645
4	90032	48503-7R	Right Carriage Lock Down	1-48503-7R, 1-48503-7L, 4-10916, 4-10627, 4-48519
5	90032	48503-7L	Right Carriage Lock Down	1-48503-7R, 1-48503-7L, 4-10916, 4-10627, 4-48519
6	90002	48489R	Drive support plate Right	10-10627, 4-10804, 6-10916, 10-48519, 1-48503-7R, 1-48561, 1-48562, 1-48489L, 1-48489R
7	90002	48489L	Drive support plate Left	10-10627, 4-10804, 6-10916, 10-48519, 1-48503-7R, 1-48561, 1-48562, 1-48489L, 1-48489R
8	48525	48525	Cable Drum Shaft	
9	90001	10057	Screw Collars	2-10057
10	90033	46434	Bumper Stop	1-48487, 1-48488, 4-10916, 8-48519, 2-46434, 2-10806, 2-10645
11	48524	48524	Brake Control weldment	
12	90006	48564	Brake Control spacer	2-48564
13	48525	48525	Brake control shaft	
14	90032 see also 90033	10916	Carriage Bolt 3/8-16 x 1.5"	1-48503-7R, 1-48503-7L, 4-10916, 4-10627, 4-48519
15	90032 see also 90033	10627	3/8-16 Nyloc Nut	1-48503-7R, 1-48503-7L, 4-10916, 4-10627, 4-48519
16	90002	10804	Carriage Bolt 3/8-16 x 1"	10-10627, 4-10804, 6-10916, 10-48519, 1-48503-7R, 1-48561, 1-48562, 1-48489L, 1-48489R
17	90032 see also 90033	48519	Guide Shim	1-48503-7R, 1-48503-7L, 4-10916, 4-10627, 4-48519
18	90033	10806	1/2-13 x 1.5" Bolt	1-48487, 1-48488, 4-10916, 8-48519, 2-46434, 2-10806, 2-10645
19	90033	10645	Nyloc Nut 1/2-13	1-48487, 1-48488, 4-10916, 8-48519, 2-46434, 2-10806, 2-10645
20	90003	10946	1/4-20 Bolt	1-10946, 1-10027
21	90003	10027	1/4" nut	1-10946, 1-10027
22	See 48491A	48491	Cable Drum-400lb quick change	
23	90009	11080	Bearing	2-11080
24	90007	10650	Nyloc Nut 5/16-18	1-10033, 1-10049, 2-10603, 1-48510, 1-13211, 1-10650
25	13000	13000	Drum Brake	
26	10575	10575	5/16" Bolt 3/4"	1-50384
27	90034	50384	3/16" x 130" Cable	2-48517
28	90012	48517	Cable Drum Shim	1-10033, 1-10049, 2-10603, 1-48510, 1-13211, 1-10650
29	90007	10049	Spring Extension	1-10033, 1-10049, 2-10603, 1-48510, 1-13211, 1-10650
30	90007	13211	Eye Bolt 5/16" x 3"	1-10033, 1-10049, 2-10603, 1-48510, 1-13211, 1-10650
31	90007	48510	Brake Linkage	1-10033, 1-10049, 2-10603, 1-48510, 1-13211, 1-10650
32	90007	10603	Cotter Pin	2-10604
33	90008	10604	Large Cotter Pin	
34	48526A	48526A	Top Cap	
35	90007	10033	Strap Brake	1-10033, 1-10049, 2-10603, 1-48510, 1-13211, 1-10650
36	10047	10047	Belt B 51in. (5L510) formerly #10034 50"	
37	48506A	48506A	Brake Handle with Rubber Grip	
	62002	62002	COMPLETE Base Section	
	48491A	48491A	Complete Cable Drum	

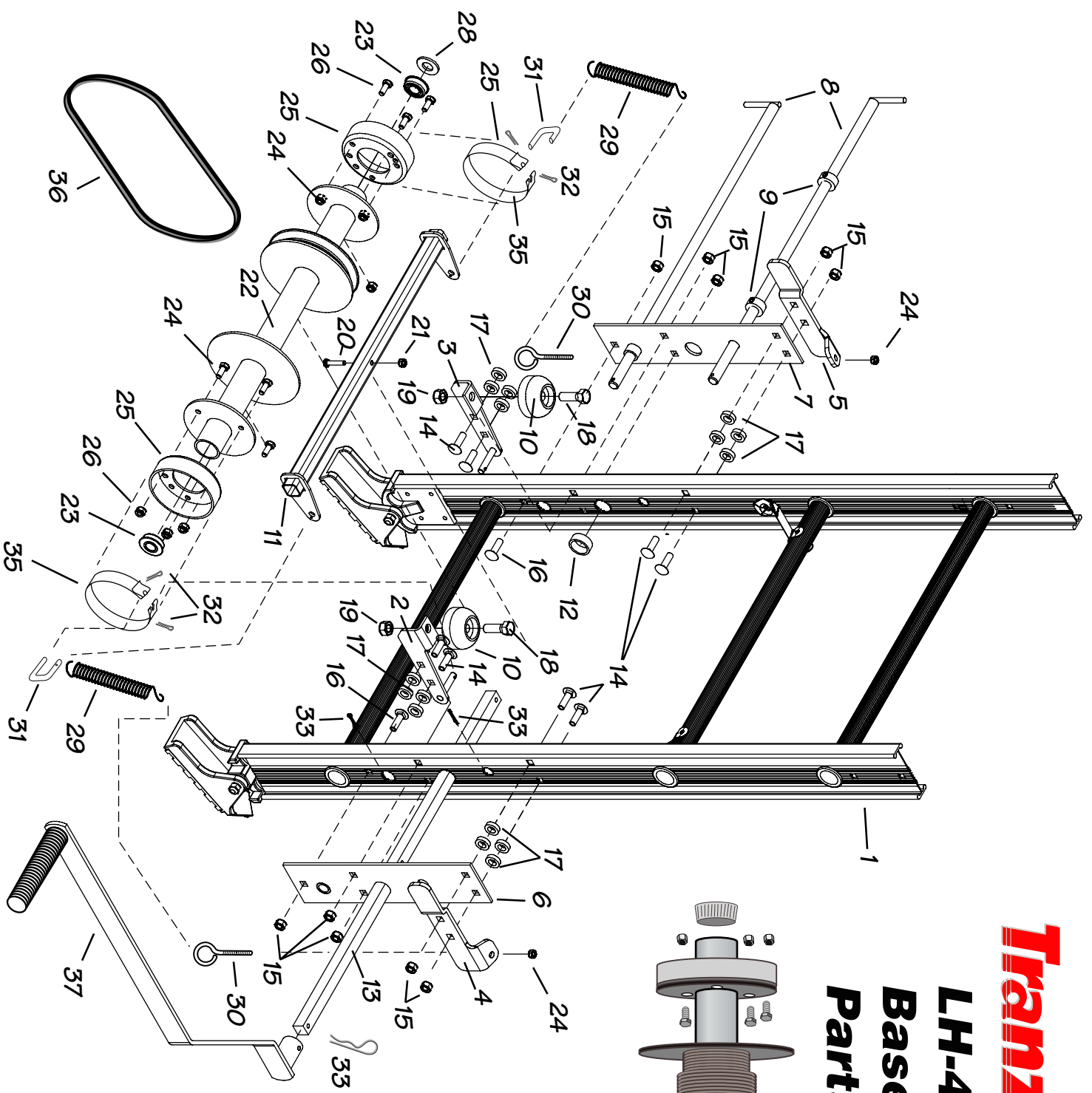
TranzSporter

LH-4000 4 ft.

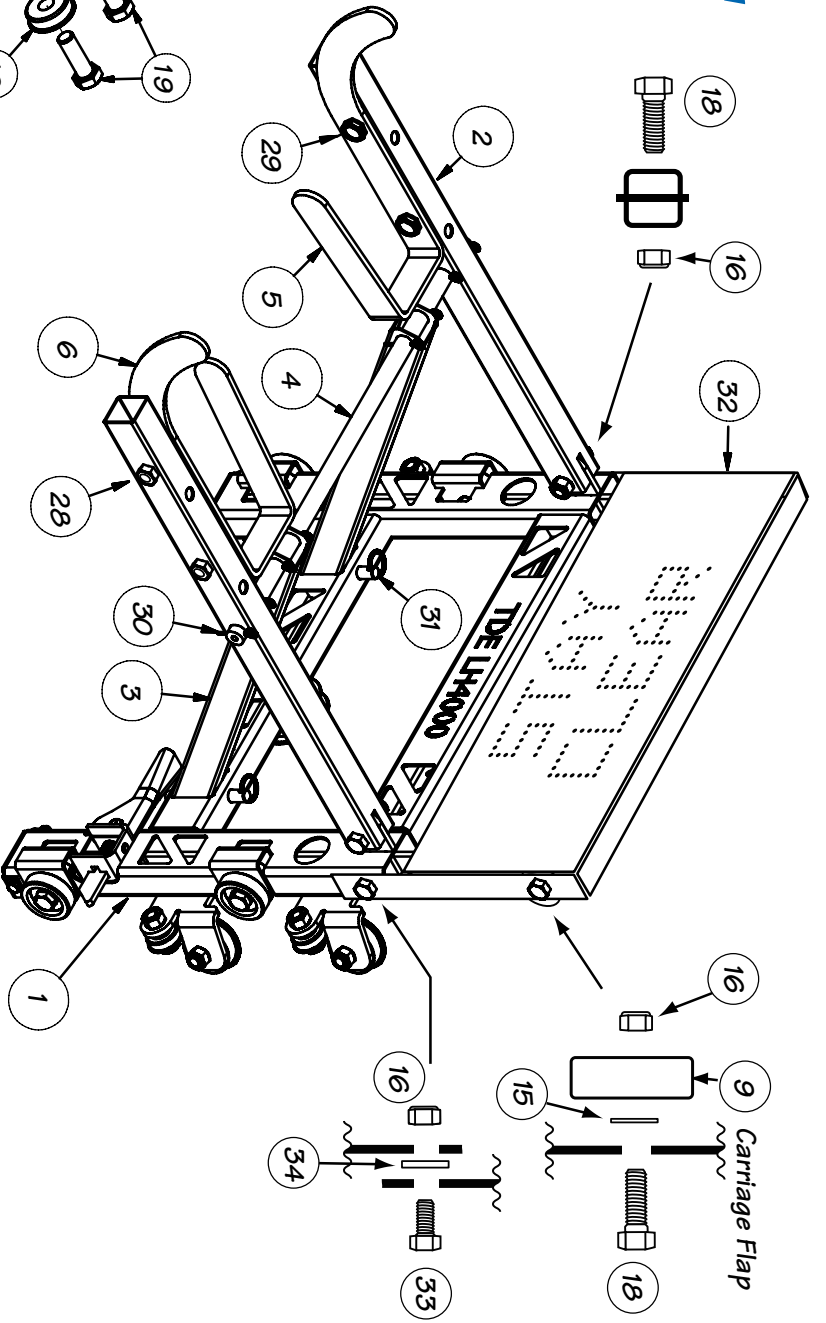
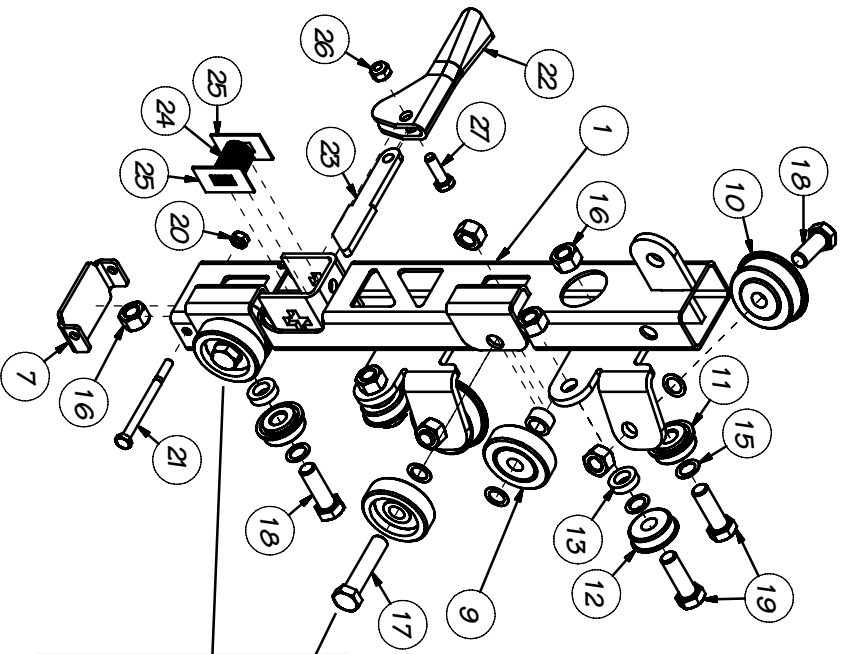
Base Section Parts List



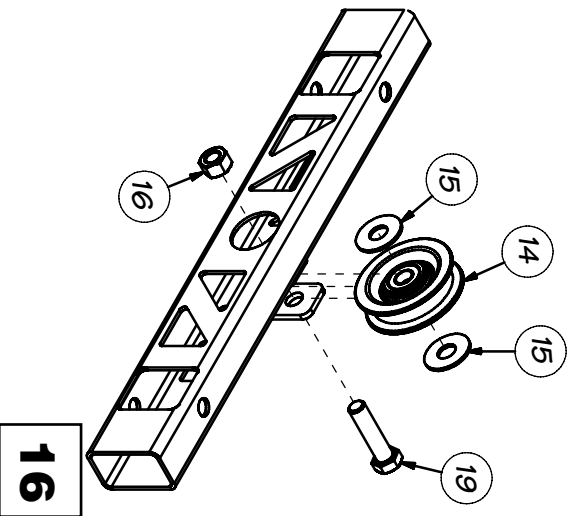
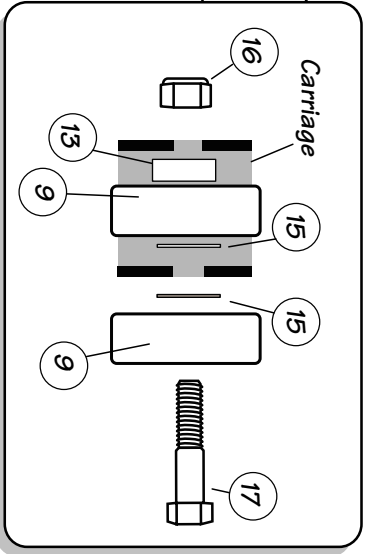
Complete Drum
Assembly
#48491A



LH4000 Carriage Parts Detail



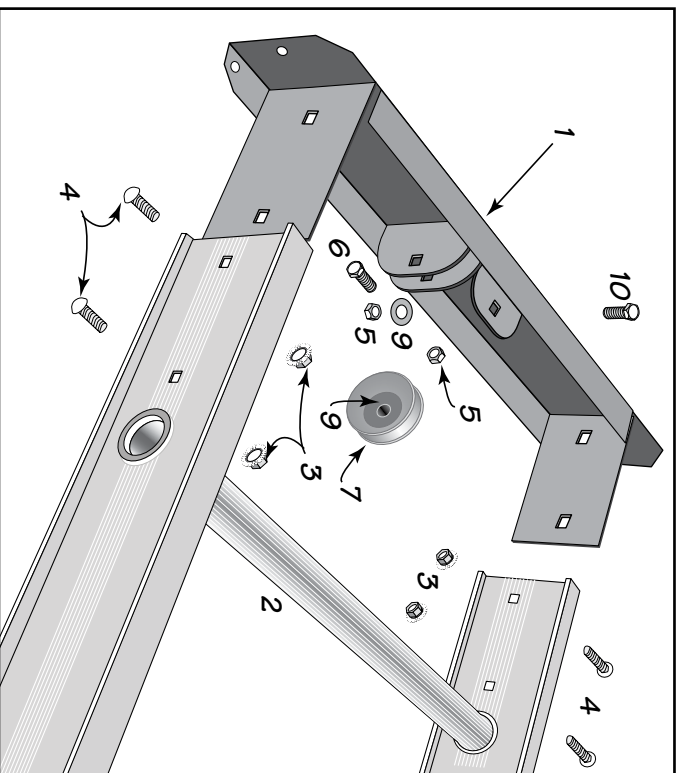
Dual Guide Wheel Assembly
(2 per side)



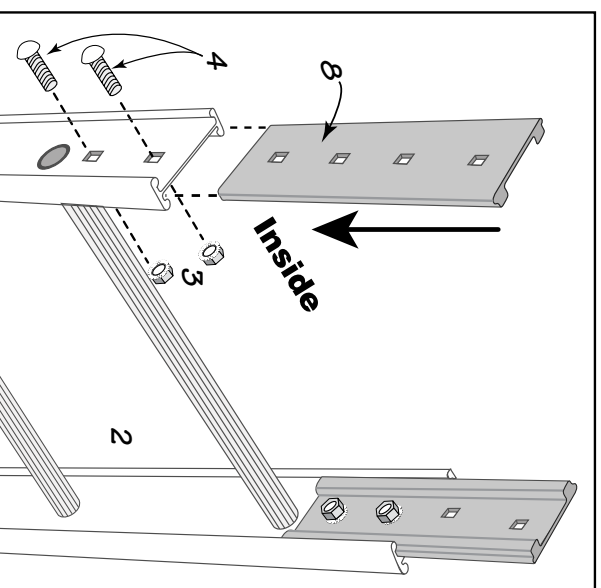
16

TranzSporter

LH400 & LH4000 Track Section Parts Detail



Top Cap Assembly
(Placed on the inside)



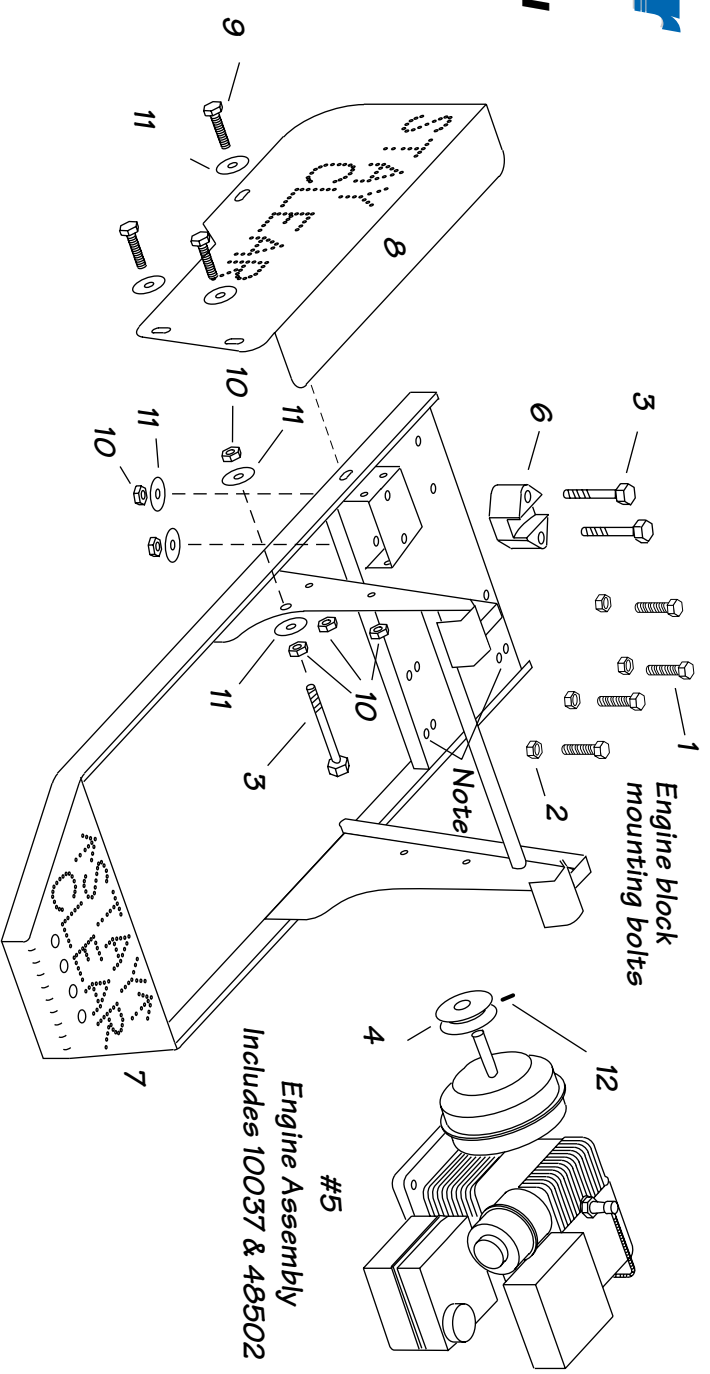
Splice Plate Assembly
(Placed on the inside)

#	Kit Part #	Part #	Description	Kit Contents
1	See 48526A	48526	Top Track Cap	
2	10081	10081	Platform Hoist Track 8' for LH400/LH4000 with pair of splice plates	
3	90024 see also 90025	10622	Nuts Krebs 3/8"	16-10622, 16 10914
4	90024 see also 90025	10914	Bolt Carriage 3/8" x 3/4"	16-10622, 16 10914
5	90014	10645	Nut Nyloc Hex 1/2"	2-13132, 6-10573, 2-10517, 2-10931, 2-10645
6	90014	10931	Bolt HHCS 1/2" x 2"	2-13132, 6-10573, 2-10517, 2-10931, 2-10645
7	90014	13132	Sheave Idler	2-13132, 6-10573, 2-10517, 2-10931, 2-10645
8	90025	10093	Splice Plate w/Hardware (Sold In Pairs)	2-10093, 8-10622, 8-10914
9	12107	12107	Washer Flat 1/2"	
10	10806	10806	Bolt 1/2" x 1-1/2"	
	48526A	48526A	Top Track Cap Complete with Sheave	
	10080	10080	Platform Hoist Track 4' for LH400/LH4000 with pair of splice plates	

TranzSporter

Lifan Motor Mount Assembly Detail

NEW!
Comes with low oil shut off feature



Lifan Engine (5)

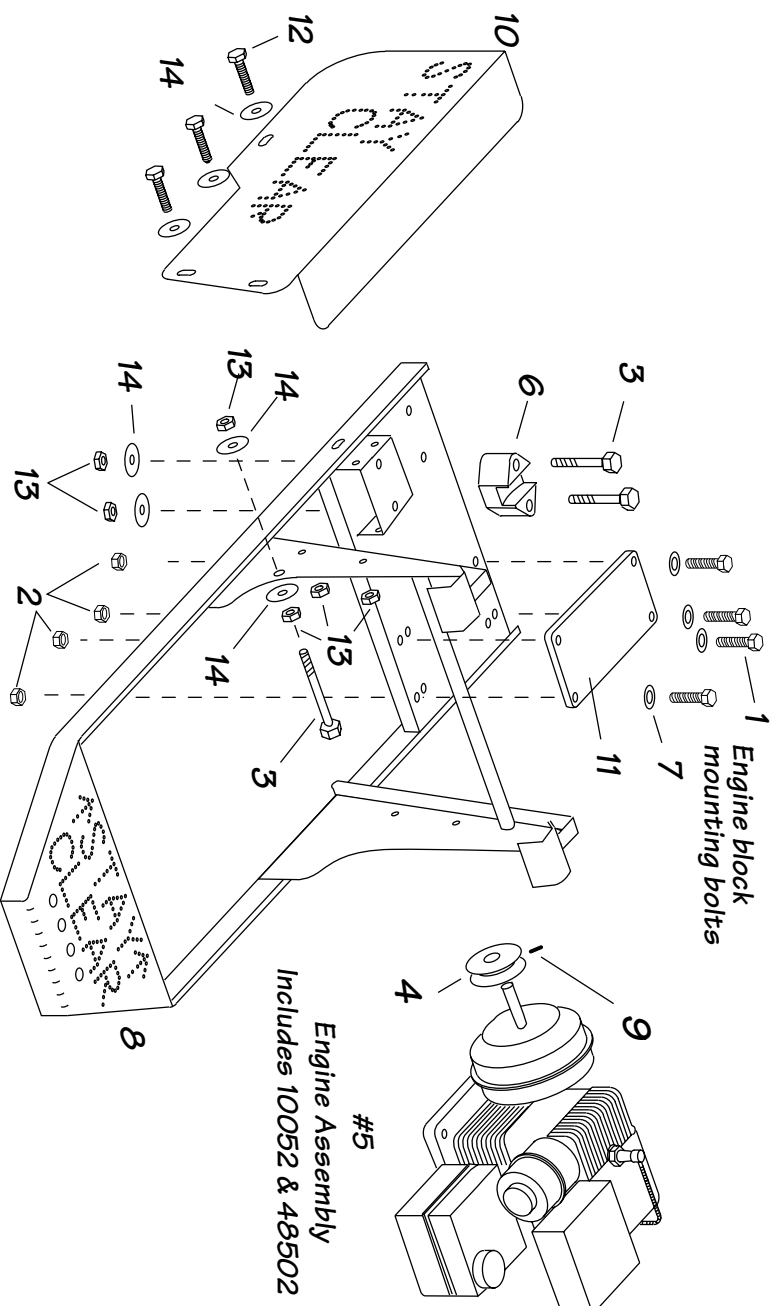
NOTE: Use front hole set for Lifan engine mount

#	Kit Part #	Part #	Description	Kit Contents
1	90021	10954	Bolt 5/16"x1-1/2" Zinc	4-10954, 4-10650
2	90021	10650	Nyloc Hex Nut 5/16"-18	4-10954, 4-10650
3	90019, see also 90020	10026	Bolt 1/4"-20 x 3"	3-10518, 7-10507, 7-10027, 1-48514, 3-10026, 1-10037, 1-48502
4	90022	10037	Sheave for drive motor	1-10037, 1-48502
5	12570A	12570A	Lifan Gas Engine with Low Oil Sensor	1-45005, 2-10026, 2-10027, 2-10507
6	90020	45005	Block Pivot Saddle	
7	48500	48500	Motor Mount Weldment	
8	90019	48514	Belt Guard	3-10518, 7-10507, 7-10027, 1-48514, 3-10026, 3-10518, 7-10507, 7-10027, 1-48514, 3-10026, 3-10518, 7-10507, 7-10027, 1-48514, 3-10026, 1-10037, 1-48502
9	90019	10518	Bolt 1/4" x 3/4"	
10	90019, see also 90020	10027	Nut 1/4"-20 Zinc	
11	90019, see also 90020	10507	Flat Washer 1/4"	
12	90022	48502	Key 3/16"x3/4	
	48471	48471	Complete Kit includes Lifan Engine and weldment	
	48500AA	48500AA	Complete Base Kit without motor	

Honda Motor Mount Assembly Detail



Honda Engine (5)

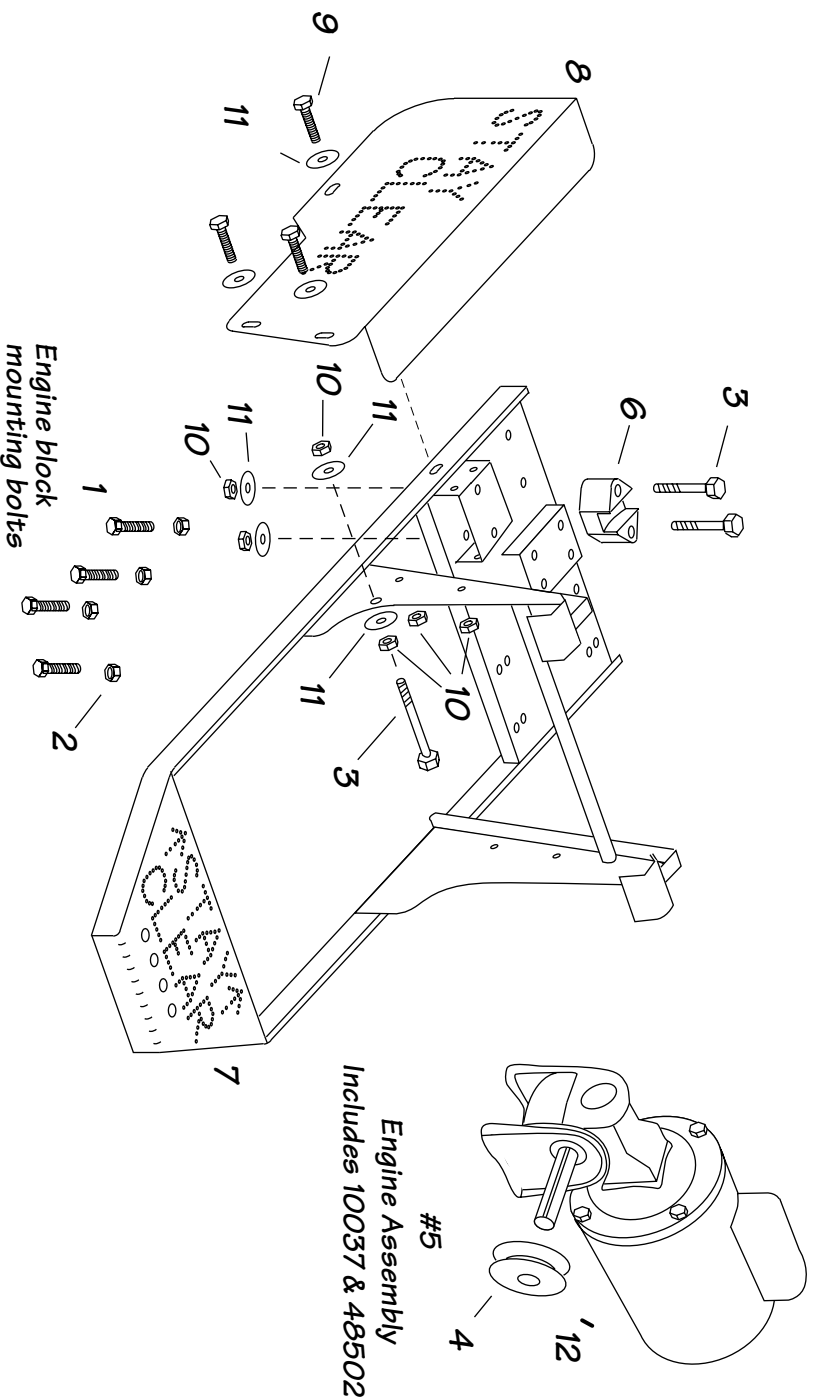


#	Kit Part #	Part #	Description	Kit Contents
1	90023	10955	Bolt 5/16"x1-3/4" Zinc	4-10955, 4-10509, 1-48518, 4-10650
2	90023	10650	Nyloc Hex Nut 5/16"-18	4-10955, 4-10509, 1-48518, 4-10650
3	90019, see also 90020	10026	Bolt 1/4"-20 x 3" Grade 2	3-10518, 7-10507, 7-10027, 1-48514, 3-10026, 1-10037, 1-48502
4	90022	10037	Sheave for Honda drive motor	
5	10039A	10039A	Honda Motor Assembly 4.0 HP	
6	90020	45005	Block Pivot Saddle	1-45005, 2-10026, 2-10027, 2-10507
7	90023	10509	Flat Washer	4-10955, 4-10509, 1-48518, 4-10650
8	48500	48500	Motor Mount Weldment	
9	90022	48502	Key 3/16"x3/4	1-10037, 1-48502
10	90019	48514	Belt Guard	3-10518, 7-10507, 7-10027, 1-48514, 3-10026,
11	90023	48518	Honda Mounting Shim	4-10955, 4-10509, 1-48518, 4-10650
12	90019	10518	Bolt 1/4" x 3/4"	3-10518, 7-10507, 7-10027, 1-48514, 3-10026,
13	90019, see also 90020	10027	Nut 1/4"-20 Zinc	3-10518, 7-10507, 7-10027, 1-48514, 3-10026,
14	90019, see also 90020	10507	Flat Washer 1/4"	3-10518, 7-10507, 7-10027, 1-48514, 3-10026,
	60001	60001	60001 Complete Kit includes Honda Engine and weldment	

1 HP Electric Motor Mount Assembly Detail (for use on all platform hoist)



Electric Motor
#5

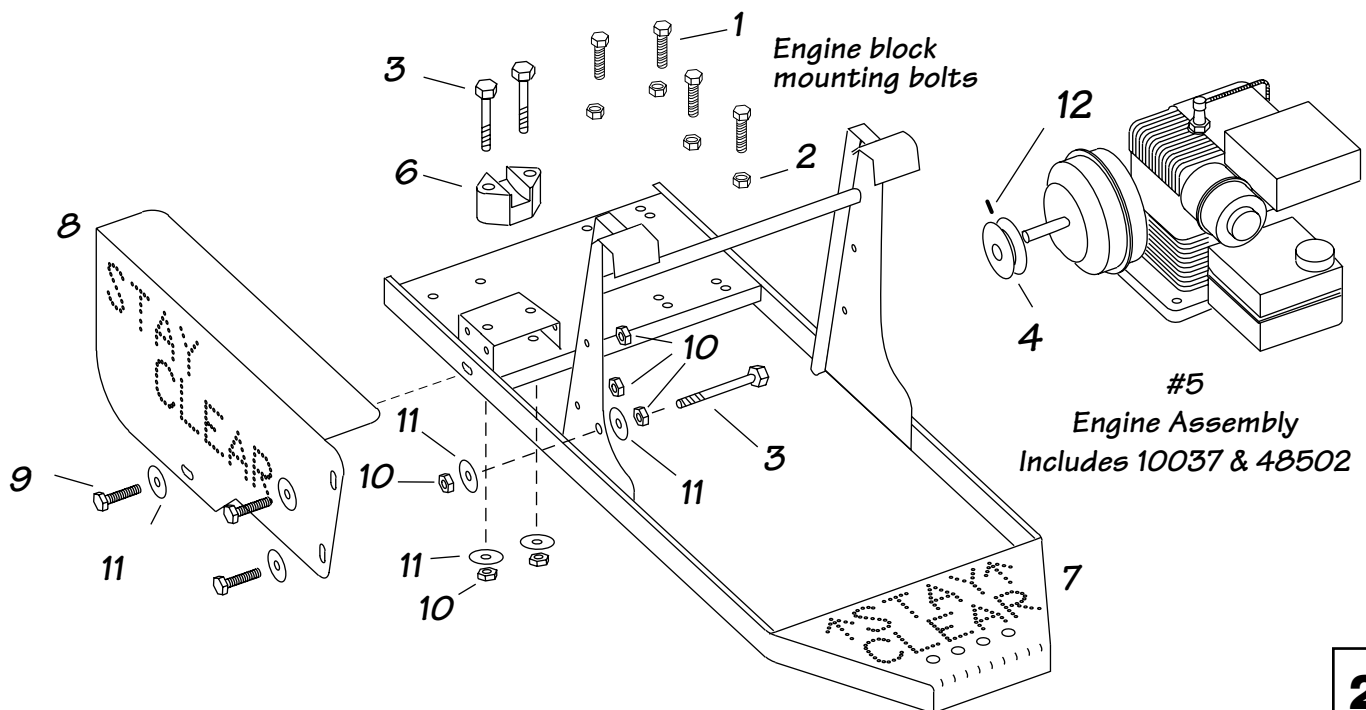


#	Kit Part #	Part #	Description	Kit Contents
1	10804	10804	Bolt 3/8"x1" Zinc	
2	10627	10627	Nyloc Hex Nut 3/8"	
3	90020	10026	Bolt 1/4"-20 x 3"	1-45005, 2-10026, 2-10027, 2-10507
4	90022	10037	Sheave for Honda drive motor	1-10037, 1-48502
5		12561	Leeson 1 hp Electric Motor	
6	90020	45005	Block Pivot Saddle	1-45005, 2-10026, 2-10027, 2-10507
7	47500	47500	Motor Mount Weldment	
8	90019	48514	Belt Guard	3-10518, 7-10507, 7-10027, 1-48514, 3-10026,
9	90019	10518	Bolt 1/4" x 3/4"	3-10518, 7-10507, 7-10027, 1-48514, 3-10026,
10	90020	10027	Nut 1/4"-20 Zinc	1-45005, 2-10026, 2-10027, 2-10507
11	90020	10507	Flat Washer 1/4"	1-45005, 2-10026, 2-10027, 2-10507
12	90022	10037	Sheave for Honda drive motor	1-10037, 1-48502
	60034	60034	Complete Kit includes Electric Motor and weldment	

TranzSporter

Motor Base: Briggs Engine Discontinued

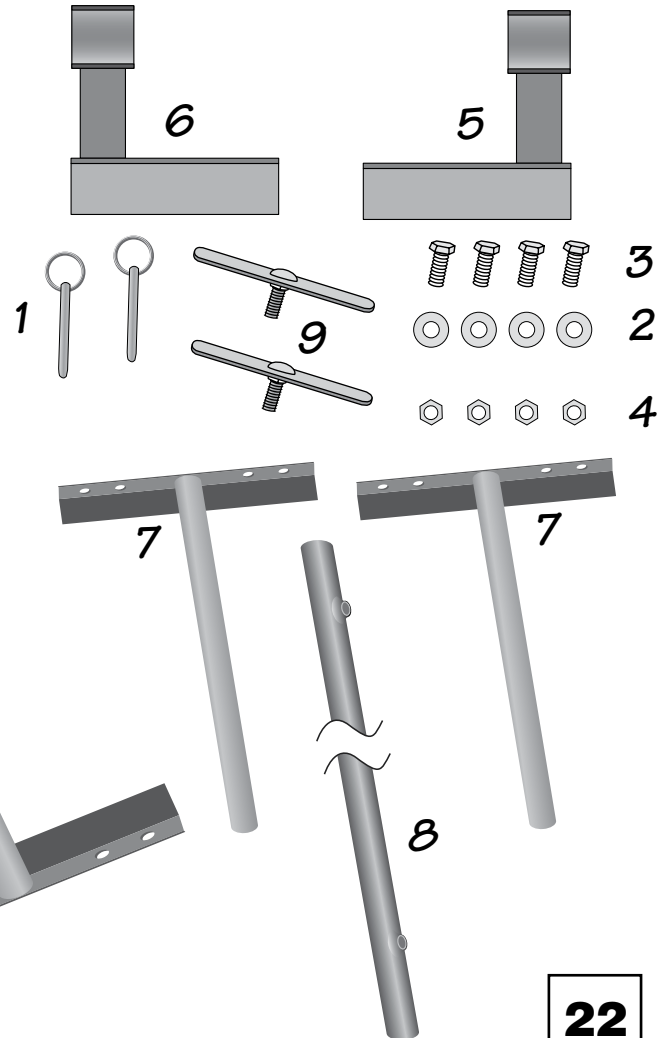
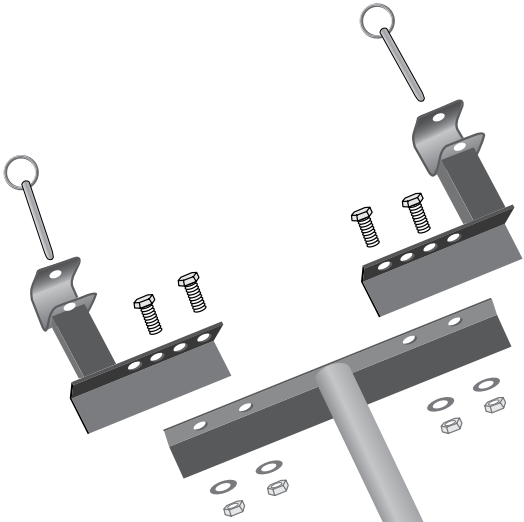
#	Part No.	Description
1	10954	Bolt 5/16"x1-1/2" Zinc 4
2	10650	Nyloc Hex Nut 5/16"-18 4
3	10026	Bolt 1/4"-20 x 3" Grade 2 3
4	10037	Sheave for drive motor 1
5	Discontinued	Briggs & Stratton Motor Assembly 4 HP 1
6	45005	Block Pivot Saddle 1
7	48500	Motor Mount Weldment 1
8	48514	Belt Guard 1
9	10518	Bolt 1/4" x 3/4" Grade 2 3
10	10027	Nut 1/4"-20 Zinc 7
11	10507	Flat Washer 1/4" 7
12	48502	Key 3/16"x3/4 1
	Discontinued	Complete Kit includes Briggs Engine and weldment
	48500AA	Complete Base Kit without motor



TranzSporter

Telescoping Brace Instructions

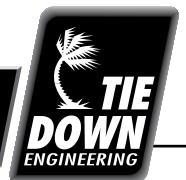
Parts Detail#	TDE Part#	DESCRIPTION	Cost	RETAIL
	60005	Telescopic Support Brace		
1	10059	Detent Ring Pin 5/16"		
2	10502	Washer Flat 3/8"-16		
3	10538	Screw Cap Hex 3/8-16		
4	10627	Nut Nyloc 3/8"		
5	48543L	Telescoping Brace Left		
6	48543R	Telescoping Brace Right		
7	48544	Telescoping Brace EN		
8	48545	Center Tube		
9	48546	Bolt T		



22

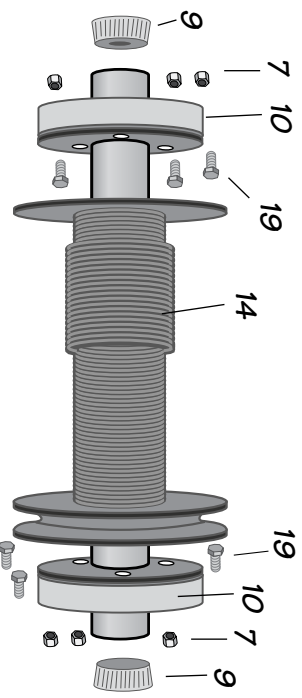
P/N 15385

TIE DOWN ENGINEERING • 255 Villanova Drive SW • Atlanta, GA 30336
www.tiedown.com (404) 344-0000 Fax (404) 349-0401

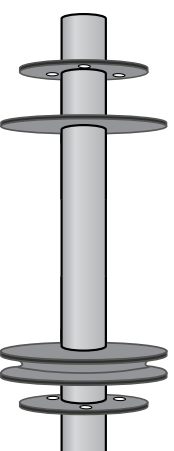


042301134

Number	Kit Part #	TDE Part #	Description	Kit Contains (Quantity-Part #)
1	90007	10033	Strap Brake	1-10033, 1-10049, 2-10603, 1-48510, 1-13211, 1-10650
2	10034	10034	Belt B 50in. (5L500)	
3	90007	10049	Spring Extension	1-10033, 1-10049, 2-10603, 1-48510, 1-13211, 1-10650
4	48503	48503	Lift Hoist Platform Frame (3') no hardware	
5	90007	10603	Cotter Pin 3/32"x1/2"	1-10033, 1-10049, 2-10603, 1-48510, 1-13211, 1-10650
6	90008	10604	Cotter Pin Hair 111-20	2-10604
7	90007/90011	10650	Nyloc Hex Nut 5/16"-18	
8	90003	10946	Bolt HHCS 1/4-20	1-10946, 1-10027
9	90009	11080	Bearing 1.375 x 5/8" x 1/2"	2-11080
10	13000	13000	Drum Brake 4"	
11	90007	13211	Eye Bolt 5/16" x 3" zinc	1-10033, 1-10049, 2-10603, 1-48510, 1-13211, 1-10650
12	48505	48505	Brake Control Shaft	
13	see 48493A	48493	Cable Drum only (no bearings, cable or brake drum)	
14	90010	50383	Cable 5/32" x 100'	1-50383
15	48509	48509	Cable Drum Shaft	
16	90007	48510	Brake Linkage	1-10033, 1-10049, 2-10603, 1-48510, 1-13211, 1-10650
17	48515	48515	Brake Control Weldment	
18	90012	48517	Cable Drum Shim	2-48517
19	10575	10575	Bolt 5/16" x 3/4" Grade 5	
20	90003	10027	Nut 1/4" zinc	1-10946, 1-10027
21	48490	48490	Complete 3' platform Base with all hardware	
22	48493A	48493A	Complete Drum Assembly (LH200)	
23	48506A	48506A	Brake Handle with Rubber Grip	
24	90011	48511A	Complete Safety Shoe (1)	1-48511A, 1-10953, 1-10650
25	90011	10953	Bolt 5/16" x 1-1/4" HHCS	1-48511A, 1-10953, 1-10650
	48508A	48508A	NON- Quick Change Complete Drum Assembly LH200	



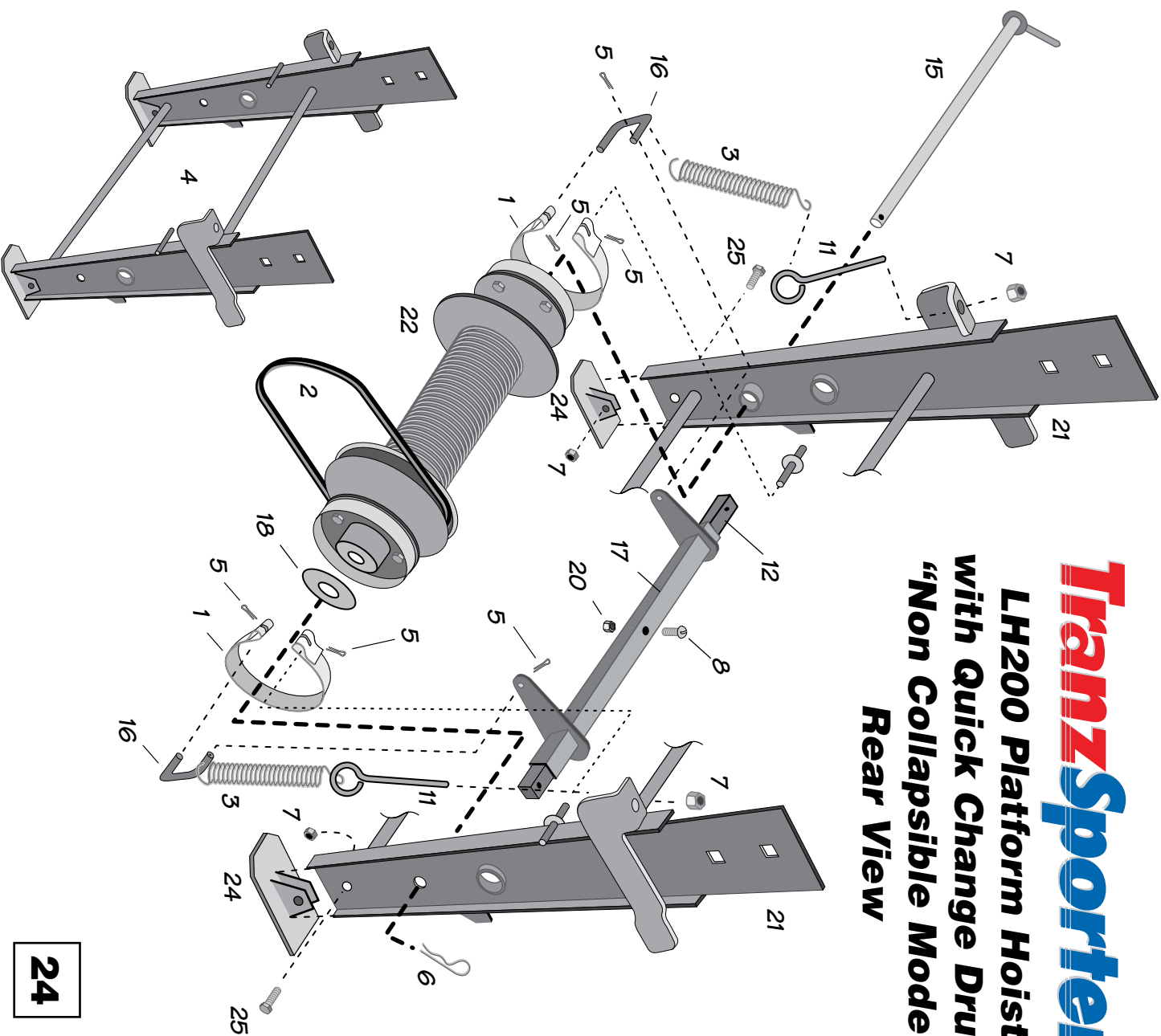
LH200 Complete Drum Assembly (22)



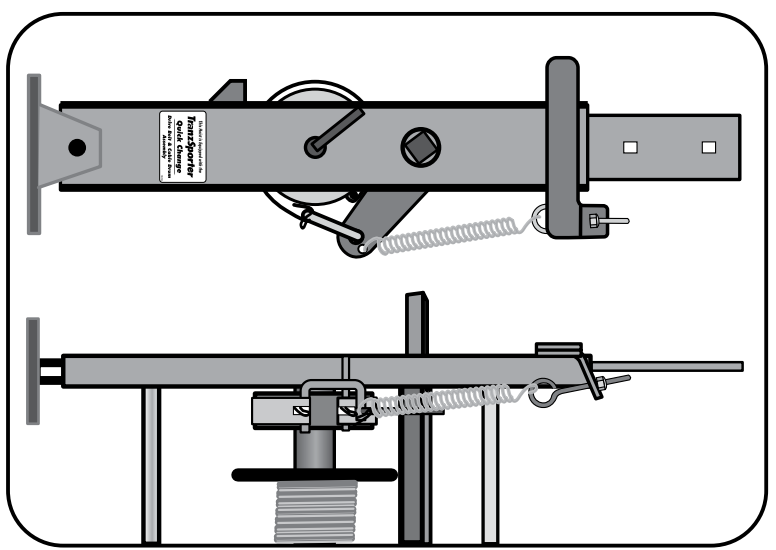
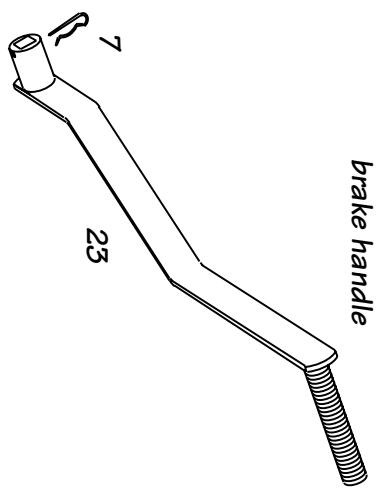
Cable Drum (13)

TranzSporter

**LH200 Platform Hoist
with Quick Change Drum
"Non Collapsible Model"
Rear View**



LH 200 Complete
4 Ft. Assembly (23)
Includes top cap &
brake handle





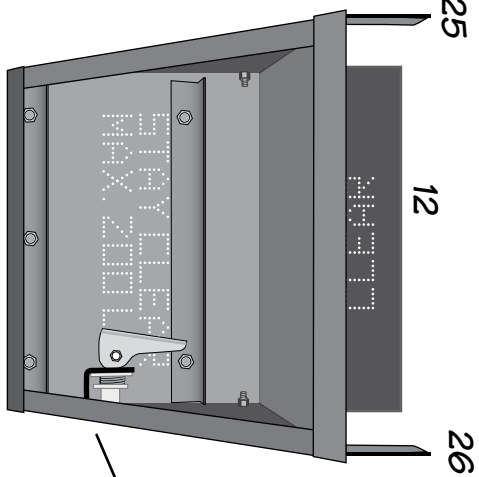
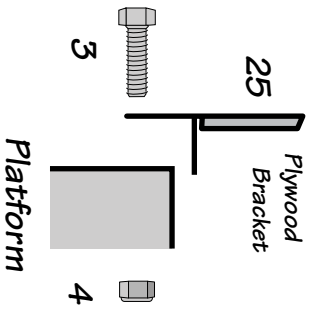
LH200 & LH2000

Platform Parts Detail

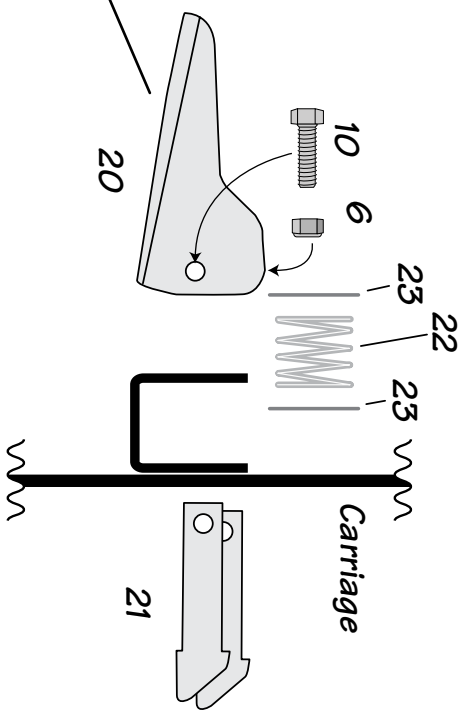
"Non Collapsible Model"

Number	Kit Part #	TDE Part #	Description	Kit Contains (Quantity-Part #)
1	90013	10032	Skate Wheels	2-10032, 2-10948, 2-10650, 2-10027
2	90014	13132	Idler Sheave 3-1/4" x 1/2"	2-13132, 6-10573, 2-10517, 2-10931, 2-10645
3	90015	10538	Cap Screw Hex 3/8"x1"	2-10538, 2-10627
4	90015	10627	Nyloc Nut 3/8"	2-10538, 2-10627
5	90014/90018	10645	Nyloc Hex Nut 1/2"	
6	90013/90017	10650	Nyloc Hex Nut 5/16"-18	
7	90014	10931	Bolt 1/2" x 2" Grade 5 Zinc	2-13132, 6-10573, 2-10517, 2-10931, 2-10645
8	90016	10849	Bolt 1/4"-20 x 1" Zinc	2-48513, 4-10849, 4-10027
9	90013	10948	Bolt 1/4" x 2" Grade 2 Zinc	2-10032, 2-10948, 2-10650, 2-10027
10	90017	10952	Bolt 5/16" x 1" Zinc	1-17020-1, 2-17020-2, 1-17020-3, 2-17020-5, 1-10952, 1-10650
11	48501	48501	200 lb. Carriage	
12	48504	48504	Carriage Flap	
13	90016	48513	Plastic Guide Block	2-48513, 4-10849, 4-10027
14	NA	NA	NA	NA
15	90018	10806	Hex Head Bolt 1/2"x1 1/2"	1-10806, 1-10573, 1-10645
16	90014	10517	Washer	2-13132, 6-10573, 2-10517, 2-10931, 2-10645
17	90013/90016	10027	Nut 1/4"-20 Zinc	
18	90014/90018	10573	Flat Washer 1/2"	
19	90017	17020	Safety Latch Kit	1-17020-1, 2-17020-2, 1-17020-3, 2-17020-5, 1-10952, 1-10650
20	90017	17020-1	Latch Handle	1-17020-1, 2-17020-2, 1-17020-3, 2-17020-5, 1-10952, 1-10650
21	90017	17020-2	Plunger Safety Latch	1-17020-1, 2-17020-2, 1-17020-3, 2-17020-5, 1-10952, 1-10650
22	90017	17020-3	Latch Spring	1-17020-1, 2-17020-2, 1-17020-3, 2-17020-5, 1-10952, 1-10650
23	90017	17020-5	Latch Wear Plate	1-17020-1, 2-17020-2, 1-17020-3, 2-17020-5, 1-10952, 1-10650
24	48944	48944	Complete Plywood Kit	1-48944L, 1-48944R, 2-10538, 2-10627.
25	48944	48944L	Left Plywood Bracket	
26	48944	48944R	Right Plywood Bracket	
-	48480	48480	Complete Carriage Assembly	

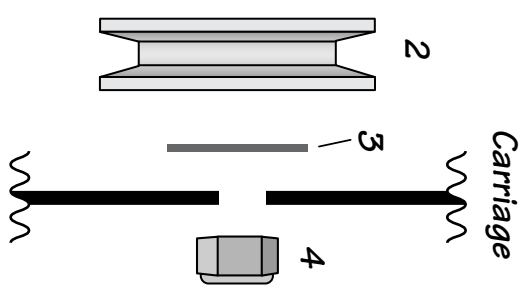
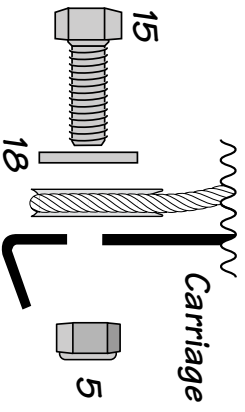
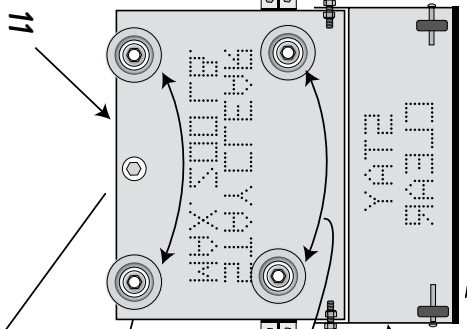
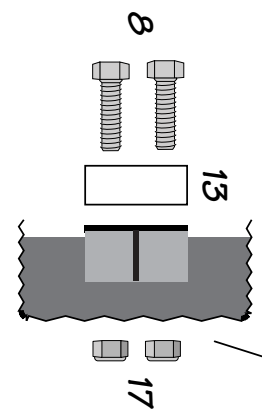
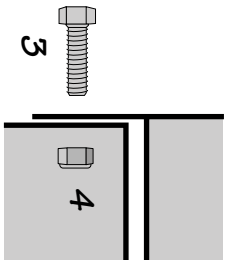
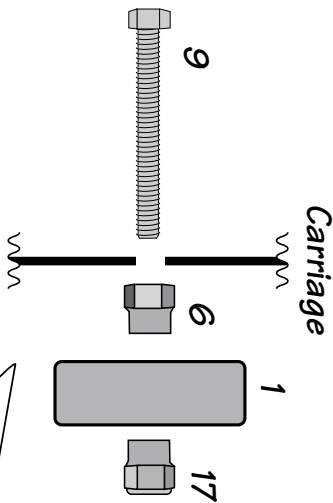
Plywood Bracket Kit (24)



Safety Latch Kit Assembly (19)



TranzSporter **LH200 & LH2000** **Platform Parts Detail** "Non Collapsible Model"



26



LH-2000 Parts Detail List

“Non Collapsible Model”

#	Kit Part #	TDE Part #	Description	Kit Contains (Quantity-Part #)
1	90007	10033	Strap Brake	1-10033, 1-10049, 2-10603, 1-48510, 1-13211, 1-10650
2	10047	10047	Bolt B 5/16" (5L510) formerly #10034 50"	1-10033, 1-10049, 2-10603, 1-48510, 1-13211, 1-10650
3	90007	10049	Spring Extension	1-10033, 1-10049, 2-10603, 1-48510, 1-13211, 1-10650
4	90001	10057	Screw Collar 5/8"x1-1/8x1/2x1/4	2-10057
5	10083	10083	Lift Hoist Platform 4ft. w/Safety Shoes	1-10033, 1-10049, 2-10603, 1-48510, 1-13211, 1-10650
6	90007	10603	Cotter Pin 3/32"x1/2"	10-10627, 4-10804, 6-10916, 10-48519, 1-48503-7R, 1-48561, 1-48562, 1-48489L, 1-48489R
7	90008	10604	Cotter Pin Hair 111-20	2-10604
8	90002	10627	Nyloc Nut 3/8"	10-10627, 4-10804, 6-10916, 10-48519, 1-48503-7R, 1-48561, 1-48562, 1-48489L, 1-48489R
9	90007	10650	Nyloc Hex Nut 5/16"-18	1-10033, 1-10049, 2-10603, 1-48510, 1-13211, 1-10650
10	90002	10916	Carriage Bolt 3/8"x1.5 full thread	10-10627, 4-10804, 6-10916, 10-48519, 1-48503-7R, 1-48561, 1-48562, 1-48489L, 1-48489R
11	90003	10946	Bolt HHCS 1/4-20	1-10946, 1-10027
12	90009	11080	Bearing 1.375 x 5/8" x 1/2"	2-11080
13	13000	13000	Drum Brake 4"	
14	90007	13211	Eye Bolt 5/16" x 3" zinc	1-10033, 1-10049, 2-10603, 1-48510, 1-13211, 1-10650
15	90002	48503-7R	Right Carriage Lock Down Bar	10-10627, 4-10804, 6-10916, 10-48519, 1-48503-7R, 1-48561, 1-48562, 1-48489L, 1-48489R
16	48505	48505	Brake Control Shaft	
17	See 48493B	48493	Cable Drum only (no bearings, cable or brake drum)	
18	90010	50383	Cable 5/32" x 100'	1-50383
19	48509	48509	Cable Drum Shaft	
20	90007	48510	Brake Linkage	1-10033, 1-10049, 2-10603, 1-48510, 1-13211, 1-10650
21	48515	48515	Brake Control Weldment	
22	90012	48517	Cable Drum Shim	2-48517
23	90002	48519	Guide Wheel Shim	10-10627, 4-10804, 6-10916, 10-48519, 1-48503-7R, 1-48561, 1-48562, 1-48489L, 1-48489R
24A	90002	48489R	Hoist Drive Support Plate	10-10627, 4-10804, 6-10916, 10-48519, 1-48503-7R, 1-48561, 1-48562, 1-48489L, 1-48489R
24B	90002	48489L	Hoist Drive Support Plate	10-10627, 4-10804, 6-10916, 10-48519, 1-48503-7R, 1-48561, 1-48562, 1-48489L, 1-48489R
25	90004, see also 90002	48561	Right Carriage Stop Brake Bracket	1-48561, 1-48562
26	90004, see also 90002	48562	Left Carriage Stop Bracket	1-48561, 1-48562
27	10575	10575	Bolt 5/16" x 3/4"	
28	90002	10804	Carriage Bolt 3/8"-16 x 1"	10-10627, 4-10804, 6-10916, 10-48519, 1-48503-7R, 1-48561, 1-48562, 1-48489L, 1-48489R
29	90005	10096	Safety Shoes, includes nuts and bolts (pair)	2-10096
30	90003	10027	Nut 1/4" zinc	1-10946, 1-10027
31	NA	48563	Rung Protectors	
32	62001	62001	4' Complete Hoist Base Assembly & Top Cap	
33	48506A	48506A	Brake Handle with Rubber Grip	
34	90006	48564	Brake Control Spacer	2-48564
35	48493B	48493B	Complete Drum Assembly Quick Change LH2000	
	62000	62000	8' Complete Hoist Base Assembly and Top Cap	
	48508B	48508B	NON- Quick Change Complete Drum Assembly LH2000	

TranzSporter

LH2000 Base Section With Quick Change Drum "Non Collapsible Model" Rear View

