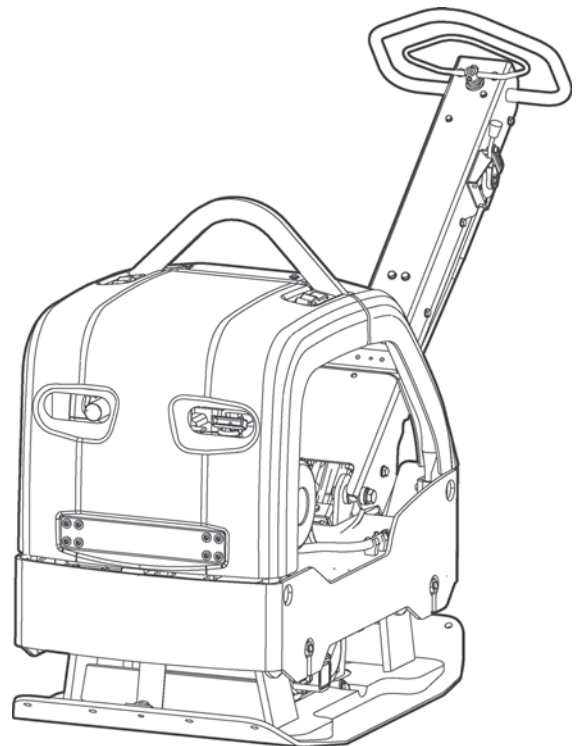


Spare parts list

Forward and reversing plate

	Valid from serial number
RP 400 Honda	BGF000001



General information

This spare parts list applies to the following:

Part number	Description
3382 0003 40	Forward and reversing plate RP 400 Honda

Use only authorized parts. Any damage or malfunction caused by the use of unauthorized parts is not covered by Warranty or Product Liability. Any unauthorized use or copying of the contents or any part thereof is prohibited. This applies in particular to trademarks, model denominations, part numbers, and drawings.

Instructions for use

This spare parts list contains no safety regulations and is merely intended to assist in the ordering of spare parts.

For information about operating, servicing, or repairing, the relevant Safety and operating instructions must be consulted at all costs.

Please observe the safety instructions listed in the relevant Safety and operating instructions!

Contents

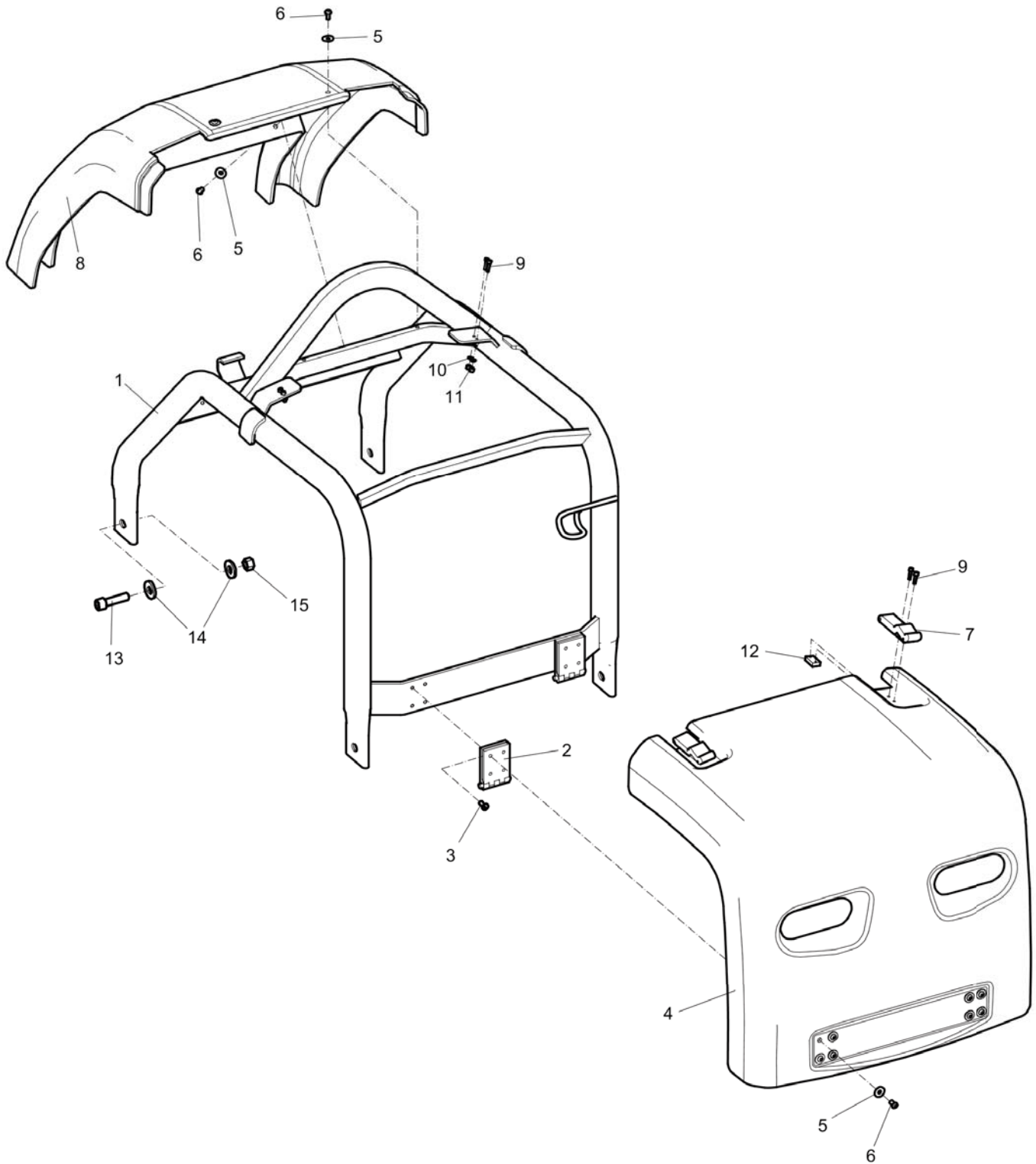
Spare parts list

Frame and hoods 4
Engine plate6
Ground plate and eccentric element installation8
Eccentric element 10
Engine installation 13
Centrifugal clutch, Honda 16
Belt tightner 18
Hydraulic system 20
Handle 23
Throttle control, Honda 26
Labels 28

Kits

One year service kit, Honda 30
Shock absorber repair kit 32
Eccentric element repair kit 34
Forward and reverse piston repair kit 36

Spare parts list Frame and hoods



Refer to Parts Online for the most up to date information. The printed information might be outdated.

Wed Oct 22 00:43:25 MDT 2014

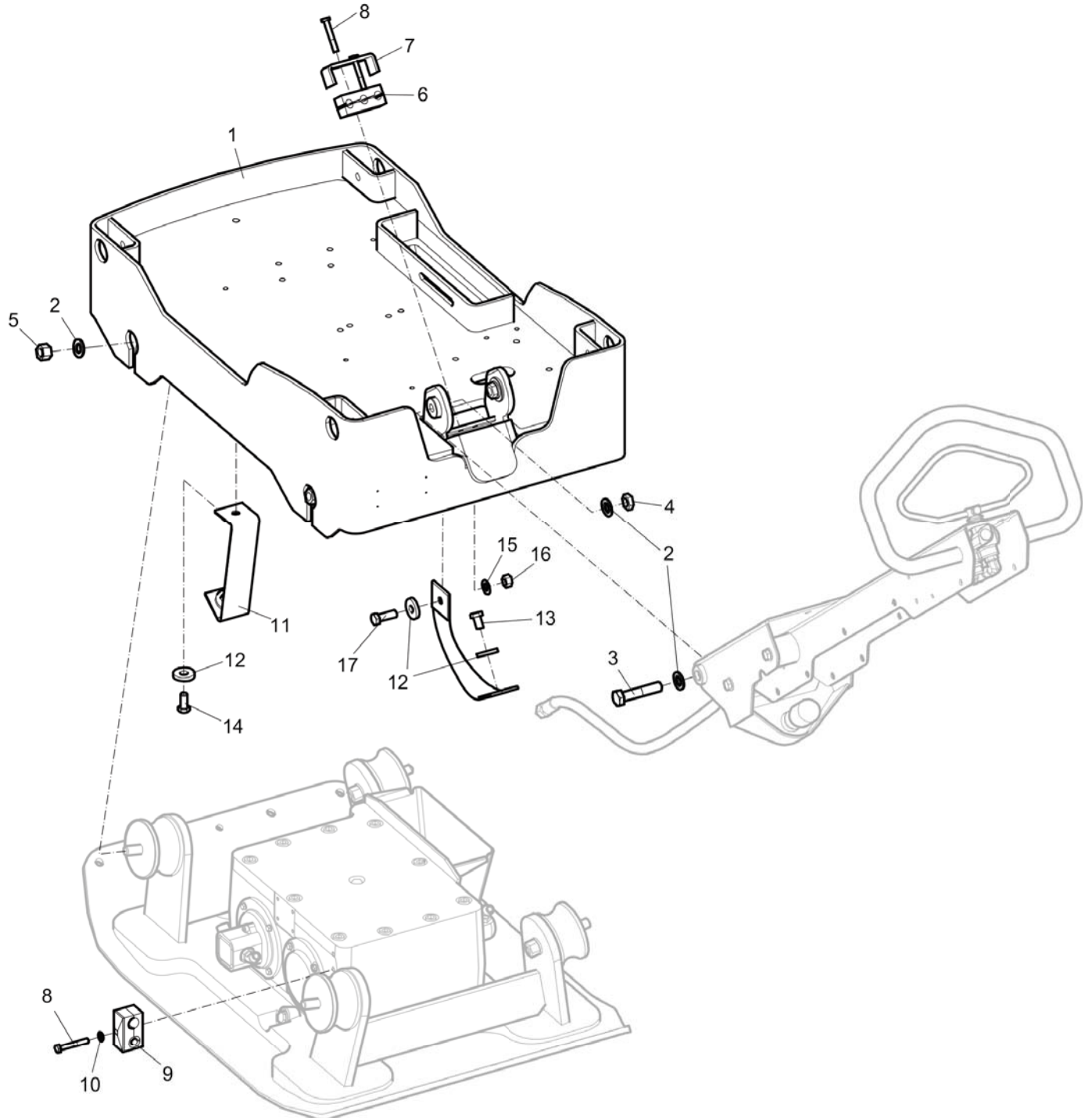
Item	Part No.	Name	Qty	L
1	3382012571	Frame	1	
2	4700381882	Hinge	2	
3	-	Screw, M6 x 16 mm A2-70	8	
4	4700397477	Cover	1	
5	-	Washer, 6 x 18 x 2 mm, 0.24 x 0.71 x 0.08 in. 300 HV	12	
6	-	Screw, M8 x 50 mm 12.9 UNBRAKO® U-130	12	A
7	4700388846	Latch	2	
8	4700397478	Cover	1	
9	-	Screw, M4 x 16 mm 8.8 A2K	8	
10	-	Washer, 0.17 x 0.31 x 0.8 mm, 0.47 x 0.87 x 0.03 in. 300 HV	4	
11	-	Nut, M4 ISO7040	4	
12	4700387956	Stop plate	2	
13	4700904522	Screw, M12 x 45 mm 12.9 GEOMET®	1	B
14	-	Washer, 13 x 30 x 4 mm, 0.51 x 1.18 x 0.16 in. 300 HV	8	
15	-	Nut, M12	4	

Comments for Page: Frame and hoods

A || UNBRAKO is a registered trademark of Deepak Fasteners (Shannon) Limited.

B || GEOMET is a registered trademark of Nof Metal Coatings North America Inc.

Spare parts list Engine plate



Refer to Parts Online for the most up to date information. The printed information might be outdated.

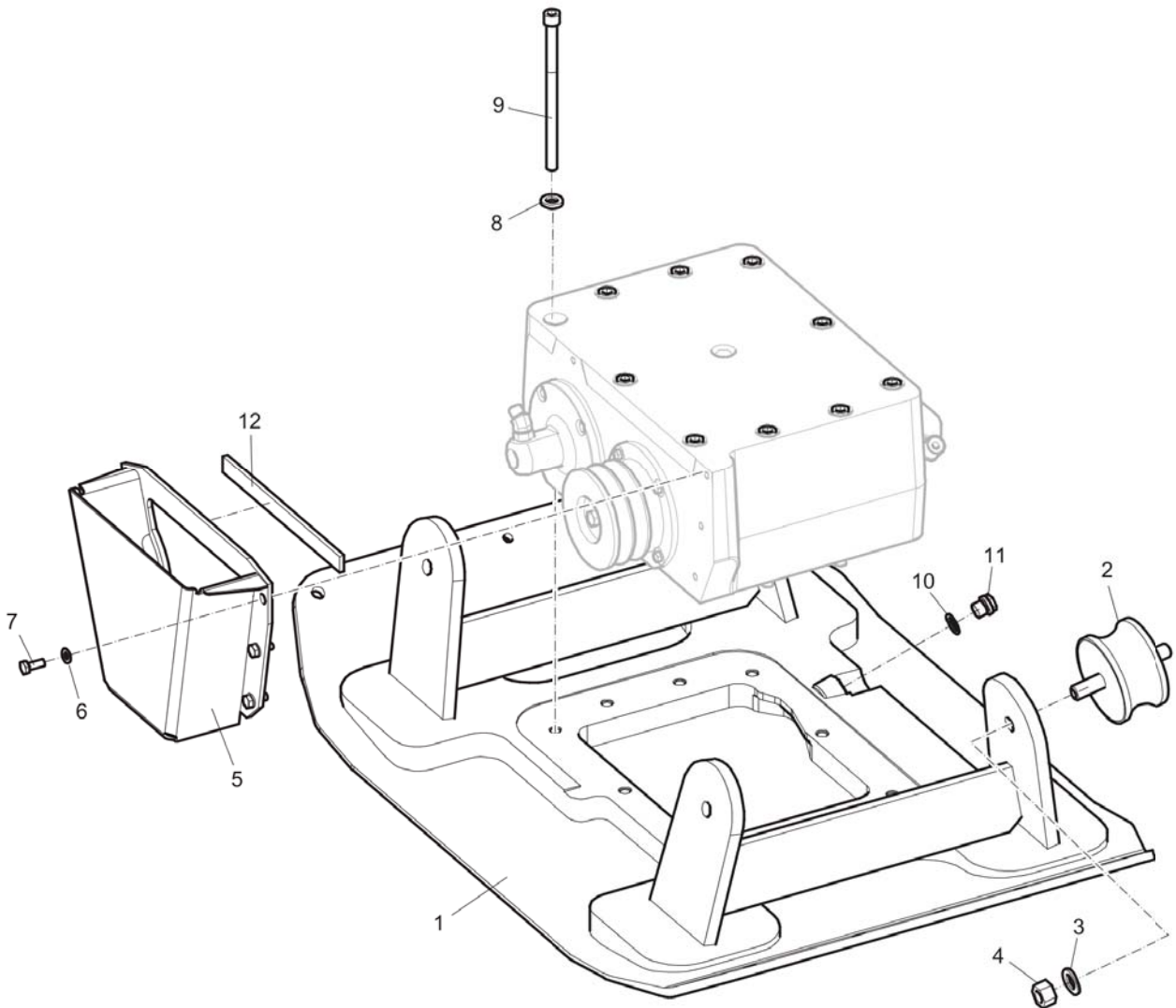
Wed Oct 22 00:43:26 MDT 2014

Item	Part No.	Name	Qty	L
1	3382 0125 66	Engine plate	1	
2	-	Washer, 17 x 30 x 3 mm, 0.70 x 1.18 x 0.12 in. 300 HV	8	
3	4700 9479 43	Screw, M16 x 75 mm 10.9 GEOMET®	2	A
4	4700 5730 04	Nut, M16 A3K	2	
5	-	Nut, M16 A3K	4	
6	4700 2805 34	Rubber block	1	
7	3382 0101 82	Bracket	1	
8	-	Screw, M8 x 55 mm 8.8 A2K	3	
9	4700 3834 58	Hose holder	1	
10	-	Washer, 8.4 x 16 x 1.5 mm, 0.33 x 0.63 x 0.06 in. 300 HV	1	
11	3382 0100 59	Strap	2	
12	-	Washer, 13 x 36 x 6 mm, 0.51 x 1.42 x 0.24 in. 300 HV	4	
13	-	Screw, M8 x 20 mm 8.8 A2K	2	
14	4700 5000 51	Screw, M12 x 25 mm 8.8 A3K	1	
15	-	Washer, 13 x 24 x 2 mm 0.51 x 0.98 x 0.08 in. 300 HV	1	
16	-	Nut, M12 A3K	1	
17	-	Screw, M12 x 35 mm 8.8 A3K	1	

Comments for Page: Engine plate

A || GEOMET is a registered trademark of Nof Metal Coatings North America Inc.

Spare parts list Ground plate and eccentric element installation



Refer to Parts Online for the most up to date information. The printed information might be outdated.

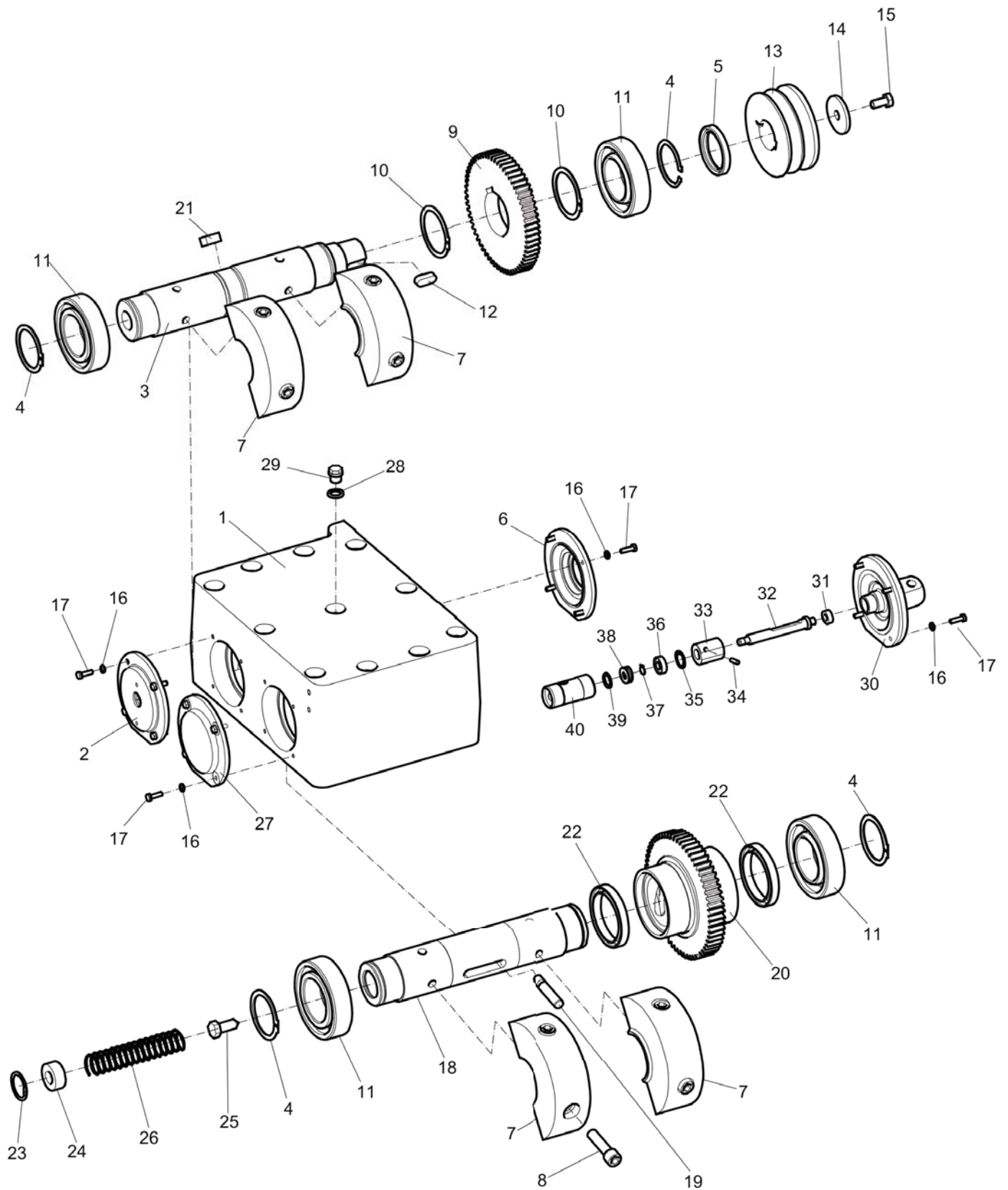
Wed Oct 22 00:43:26 MDT 2014

Item	Part No.	Name	Qty	L
1	4812070285	Ground plate	1	
2	4700280454	Shock absorber	4	
3	-	Washer, 17 x 30 x 3 mm, 0.70 x 1.18 x 0.12 in. 300 HV	4	
4	-	Nut, M16 A3K	4	
5	4812070355	V-belt cover	1	
6	-	Washer, 8.4 x 16 x 1.5 mm, 0.33 x 0.63 x 0.06 in. 300 HV	5	
7	-	Screw, M8 x 20 mm 8.8 A2K	5	
8	4700904703	Plain washer 13x24x4 mm	10	
9	4700792829	Screw, M10 x 40 mm 12.9 GEOMET®	10	A
10	4700162011	Washer, sealing	1	
11	4700232143	Plug, M16	1	

Comments for Page: Ground plate and eccentric element installation

A | GEOMET is a registered trademark of Nof Metal Coatings North America Inc.

Spare parts list Eccentric element



Refer to Parts Online for the most up to date information. The printed information might be outdated.

Wed Oct 22 00:43:28 MDT 2014

Item	Part No.	Name	Qty	L
1	4700397520	Eccentric housing	1	
2	4700379079	Cover	1	
3	4700377986	Shaft, cpl	1	
4	4700150033	Retaining ring	4	
5	4700928794	Sealing ring	1	
6	4700379080	Cover	1	
7	4700397522	Eccentric weight	4	
8	-	Screw, M12 x 45 mm 8.8 A3K	8	
9	4700378216	Gear	1	
10	4700150020	Circlip	2	
11	4700928786	Ball bearing	4	
12	4700928788	Key	1	
13	4700377776	Pulley	1	
14	4700280432	Washer	1	
15	-	Screw, M10 x 20 mm 8.8 A3K	1	
16	-	Washer, 6.4 x 12 x 1.5 mm, 0.25 x 0.47 x 0.06 in. 300 HV	16	
17	-	Screw, M6 x 20 mm 8.8 A2K	16	
18	4812070073	Eccentric shaft	1	
19	4700280442	Pin	1	
20	4812070093	Reverser	1	
21	4700280450	Key	1	
22	4700928796	Ball bearing	2	
23	4700928787	Retaining ring	1	
24	4700280448	Stop	1	
25	4700280449	Screw	1	
26	4700928798	Spring	1	
27	4700379081	Cover	1	
28	-	Washer, 16.7 x 24 x 1.5 mm Type A M16 , 0.66 x 4.88 x 0.06 in.	1	
29	4700232143	Plug, M16	1	
30	4812070042	Hydraulic cylinder	1	
31	4700281276	Sealing ring	1	
32	4812070044	Piston rod	1	
33	4812070043	Cap	1	
34	4700629062	Spring pin	1	
35	4700151039	Retaining ring	1	
36	4812070359	Ball bearing	1	
37	4700150002	Retaining ring	1	

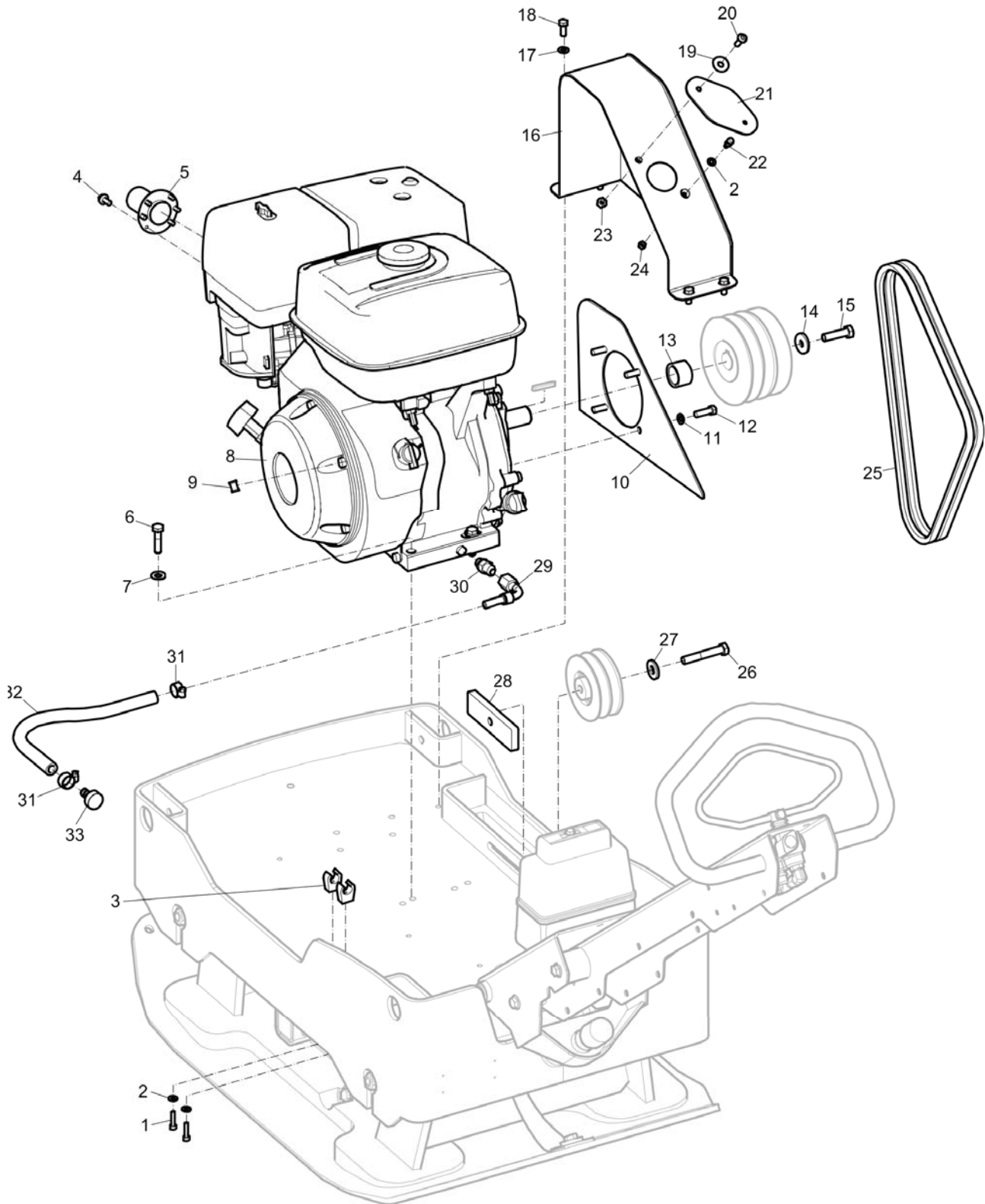
Refer to Parts Online for the most up to date information. The printed information might be outdated.

Wed Oct 22 00:43:28 MDT 2014

Item	Part No.	Name	Qty	L
38	4812070362	Thrust ball bearing	1	
39	4812070363	Spring washer	1	
40	4812070052	Piston	1	

This page intentionally left blank

Spare parts list Engine installation



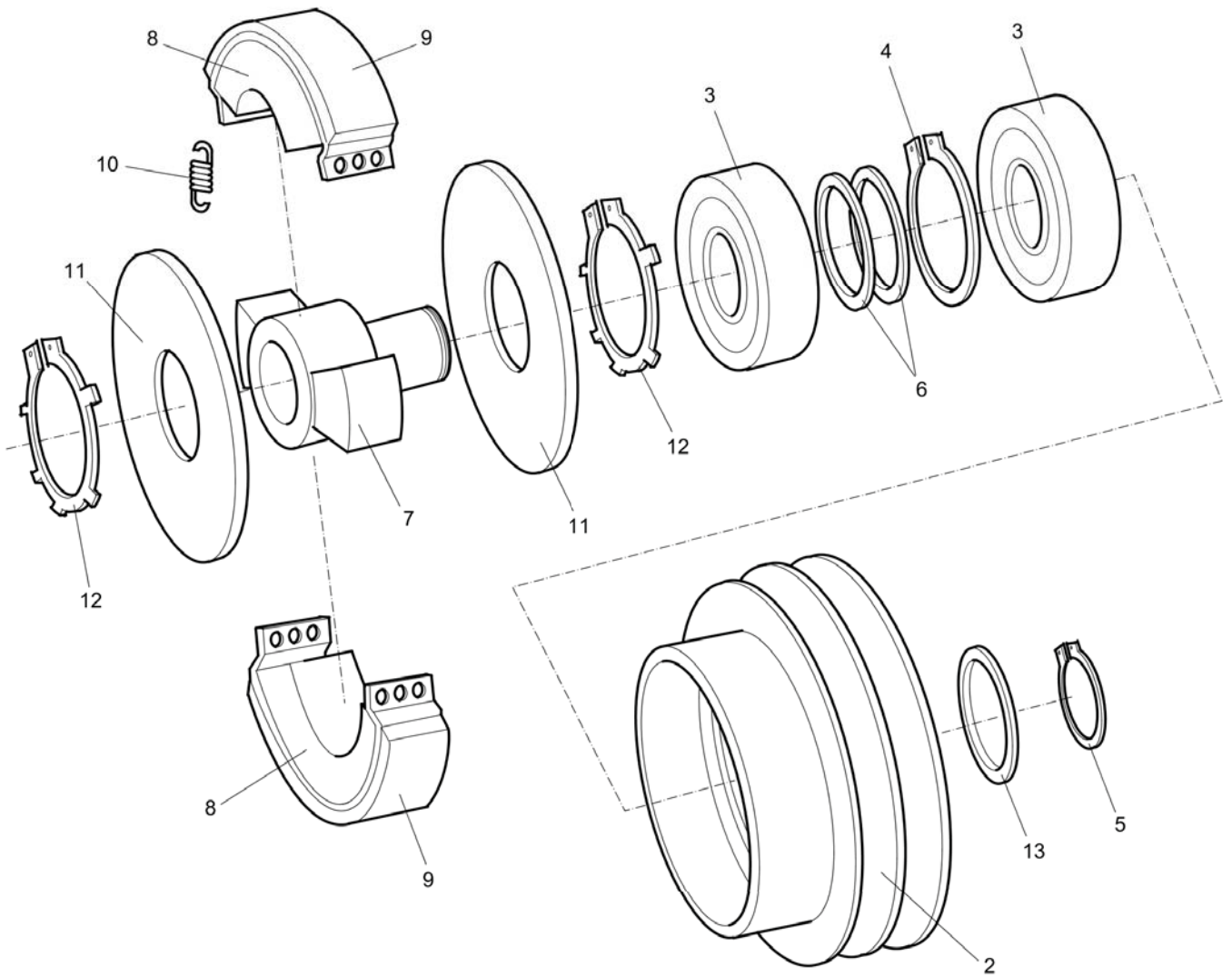
Refer to Parts Online for the most up to date information. The printed information might be outdated.

Wed Oct 22 00:43:28 MDT 2014

Item	Part No.	Name	Qty	L
1	-	Screw, M6 x 25 mm 8.8 A2K	2	
2	-	Washer, 6.4 x 12 x 1.5 mm, 0.25 x 0.47 x 0.06 in. 300 HV	3	
3	4700 2812 34	Ryw-clips	2	
4	-	Screw, M4 x 10 A2K	6	
5	4700 3974 76	Exhaust pipe	1	
6	-	Screw, M10 x 40 mm 8.8 A3K	4	
7	-	Steel plain washer, 10.5 x 22 x 2 mm, 0.41 x 0.87 x 0.08 in. 300 HV	4	
8	4700 3975 29	Engine, Honda GX390 UTI SWA4 SD	1	
9	4700 9210 65	Clamp	2	
10	4812 0701 92	Belt guard, inner	1	
11	-	Washer, 8.4 x 16 x 1.5 mm, 0.33 x 0.63 x 0.06 in. 300 HV	4	
12	-	Screw, M8 x 20 mm 8.8 A2K	4	
13	4812 0702 23	Spacer	1	
14	4811 0001 08	Washer	1	
15	-	Screw, M8 x 30 mm	1	
16	3382 0125 64	V-belt cover	1	
17	-	Washer, 8.4 x 16 x 1.5 mm, 0.33 x 0.63 x 0.06 in. 300 HV	4	
18	-	Screw, M8 x 20 mm 8.8 A2K	4	
19	-	Washer, 8.4 x 25 x 2 mm, 0.33 x 0.99 x 0.08 in. 300 HV	1	
20	4700 9046 54	Screw, M8 x 25 mm A2-70	1	
21	4700 3972 82	Rubber protection	1	
22	4700 7928 24	Ball joint, M6 DIN 71803	1	
23	-	Nut, M8 A2K	1	
24	-	Nut, M6 A2K	1	
25	4812 0704 78	V-belt	2	
26	-	Screw, M12 x 70 mm 8.8 A3K	1	
27	-	Washer, 13 x 30 x 4 mm, 0.51 x 1.18 x 0.16 in. 300 HV	1	
28	4700 3972 81	Holder	1	
29	4700 7920 99	Connector	1	
30	4700 9032 68	Connector	1	
31	4700 3130 01	Hose clamp, 11-18 x 9 mm, 0.43 -0.71 x 0.35 in.	2	
32	3382 0101 86	Hose	1	
33	3382 0101 80	Plug	1	

Spare parts list Centrifugal clutch, Honda

1												
2	3	4	5	6	7	8	9	10	11	12	13	

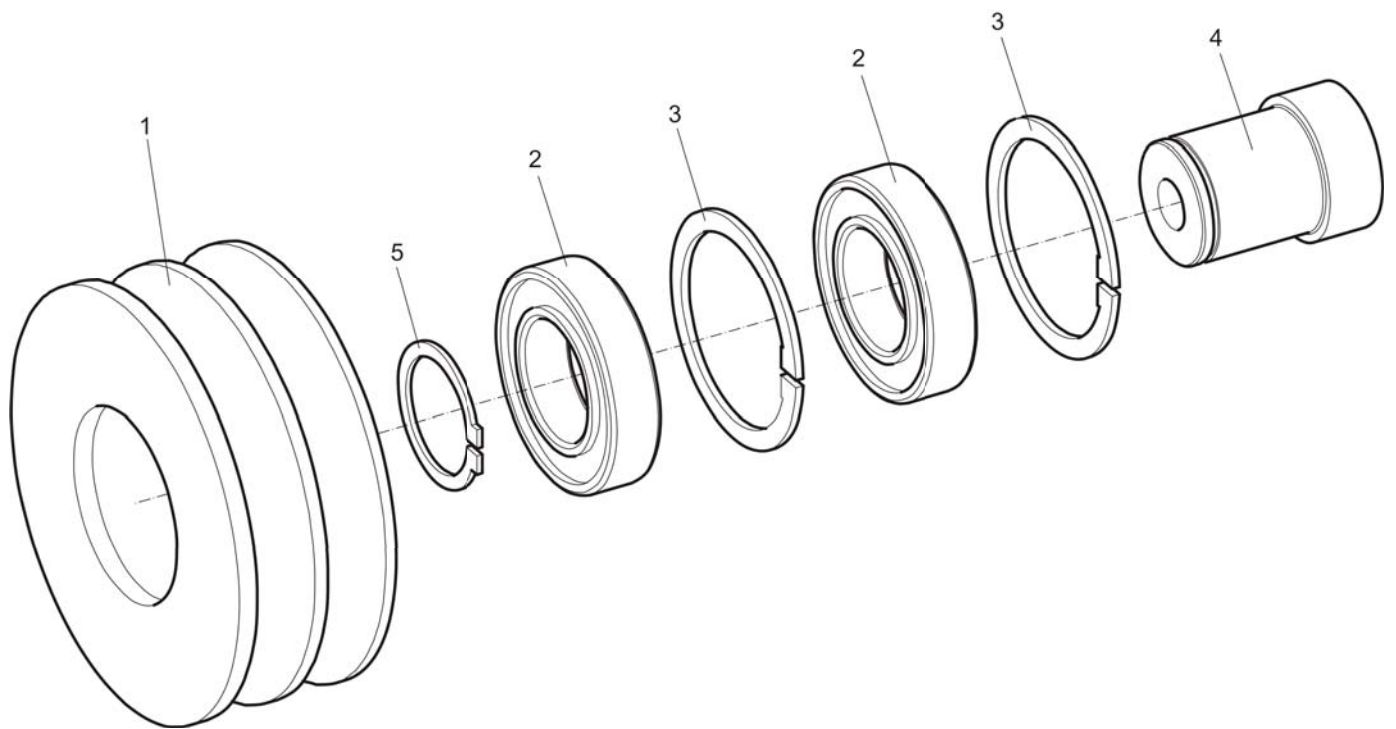


Refer to Parts Online for the most up to date information. The printed information might be outdated.

Wed Oct 22 00:43:29 MDT 2014

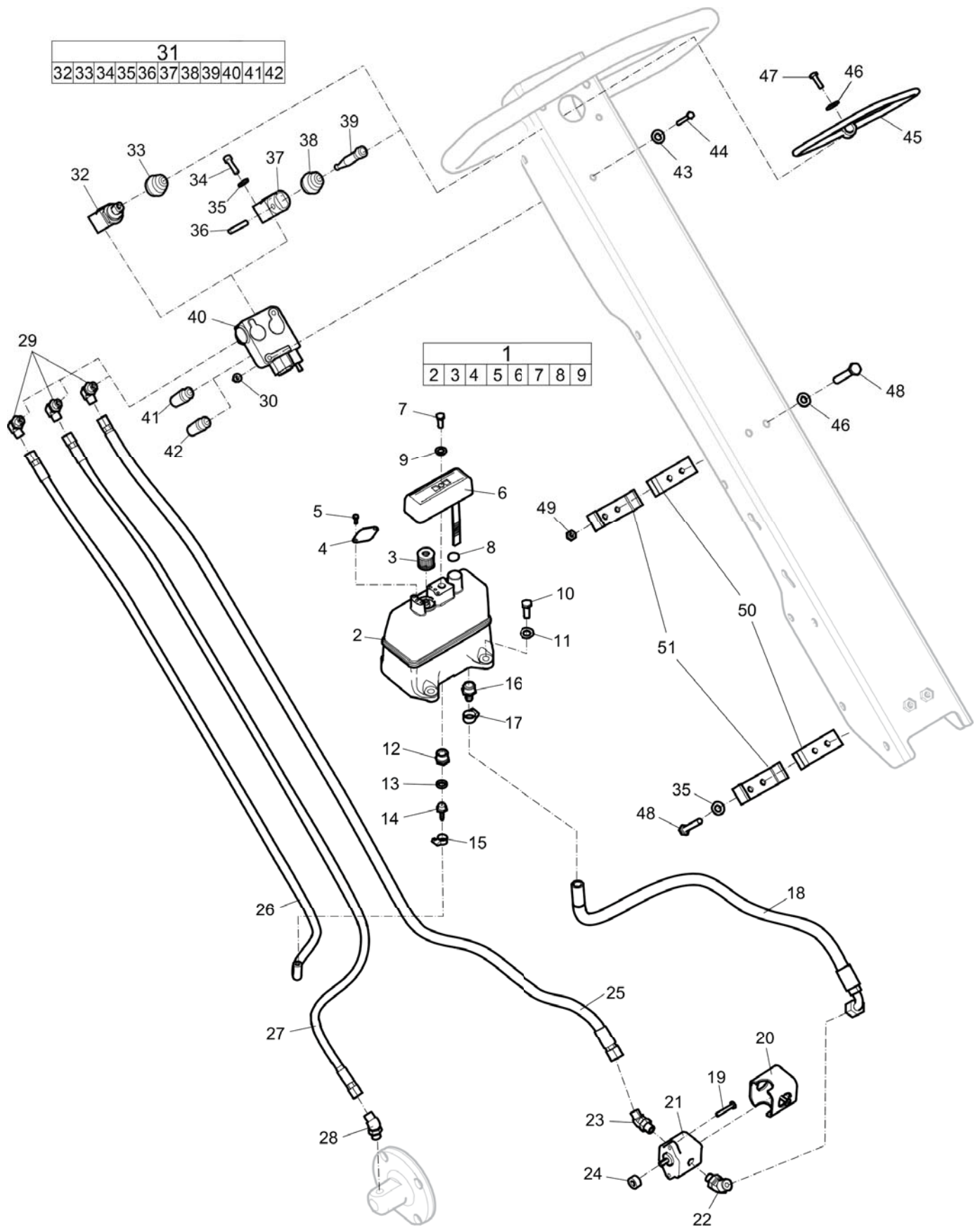
Item	Part No.	Name	Qty	L
1	4812070197	Centrifugal clutch, cpl	1	
.2	4812155877	V-belt pulley	1	
.3	4700945802	Ball bearing	2	
.4	4700945810	Retaining ring	1	
.5	4700935635	Retaining ring	1	
.6	4700945811	Shim	2	
.7	4812155876	Hub	1	
.8	4700945813	Weight	2	
.9	4700238206	Lining	2	
.10	4812155874	Spring	4	
.11	4700945814	Cover	2	
.12	4700945815	Retaining ring	2	
.13	4700945816	Shim	1	

Spare parts list Belt tightner



Item	Part No.	Name	Qty	L
1	4700380517	V-belt pulley	1	
2	4700111180	Ball bearing	2	
3	4700151019	Retaining ring	2	
4	4700397280	Shaft	1	
5	4700150012	Retaining ring for shaft	1	

Spare parts list Hydraulic system



Refer to Parts Online for the most up to date information. The printed information might be outdated.

Wed Oct 22 00:43:31 MDT 2014

Item	Part No.	Name	Qty	L
1	4700376677	Hydraulic oil tank, cpl	1	
.2	--	Tank	1	
.3	4700381566	Air filter	1	
.4	4700381563	Holder	1	
.5	--	Screw, K50 x 12 mm Type KX-PT	2	
.6	4700381385	Cover	1	
.7	--	Screw, M8 x 25 mm 8.8 A2K	1	
.8	4700160110	O-ring	1	
.9	--	Washer, 8.4 x 16 x 1.5 mm, 0.33 x 0.63 x 0.06 in. 300 HV	1	
10	4700500029	Screw, M10 x 30 mm 8.8 A3K	4	
11	-	Washer, 10.5 x 22 x 2 mm, 0.41 x 0.87 x 0.08 in. 300 HV	4	
12	4700383039	Reducer	1	
13	-	Washer, 13.3 x 18.9 x 1.5 mm, 0.52 x 0.74 x 0.06 in. Copper	1	
14	4700383353	Hose coupling	1	
15	4700313108	Hose clamp	1	
16	4700383038	Hose coupling	1	
17	4700313003	Hose clamp	1	
18	4700378029	Hydraulic hose	1	
19	-	Screw, M6 x 20 mm 8.8 A2K	2	
20	4700280540	Cover	1	
21	4700383562	Hydraulic pump	1	
22	4700792253	Elbow	1	
23	4700792443	Elbow connector 45	1	A
24	4700928894	Sleeve	1	
25	4811000104	Hydraulic hose	1	B
26	4700395212	Hydraulic hose	1	C
27	4811000105	Hydraulic hose	1	D
28	4700792443	Elbow connector 45	1	E
29	4700791397	Elbow 90, O-ring	3	F
30	-	Nut, M6 x 1 mm A2K	2	
31	4700281375	Valve	1	
.32	4700937924	Lever housing	1	G
.33	4700936595	Rubber cover	1	G
.34	3382100272	Screw	2	H
.35	3382100273	Washer	4	H
.36	3382100269	Pin	1	H
.37	3382100268	Housing	1	H

Refer to Parts Online for the most up to date information. The printed information might be outdated.

Wed Oct 22 00:43:31 MDT 2014

Item	Part No.	Name	Qty	L
.38	3382100271	Rubber cover	1	H
.39	3382100270	Lever	1	H
.40	-	Valve body	1	
.41	4700938163	Measuring nipple	1	G
.42	3382100288	Measuring nipple	1	H
43	-	Washer, 6.4 x 12 x 1.5 mm, 0.25 x 0.47 x 0.06 in. 300 HV	2	
44	-	Screw, M6 x 50 mm 8.8 A2K	2	
45	4812070025	Control lever	1	
46	-	Washer, 8.4 x 16 x 1.5 mm, 0.33 x 0.63 x 0.06 in. 300 HV	5	
47	-	Screw, M8 x 25 mm 8.8 A2K	1	
48	-	Screw, M8 x 50 mm 8.8 A2K	4	
49	-	Lock nut, M8	2	
50	4700280534	Rubber block	2	
51	3382010182	Bracket	2	

Comments for Page: Hydraulic system

(L)OCAL REMARKS

A | 45°

B | Connected to port "A"

C | Connected to port "T"

D | Connected to port "P"

E | 45°

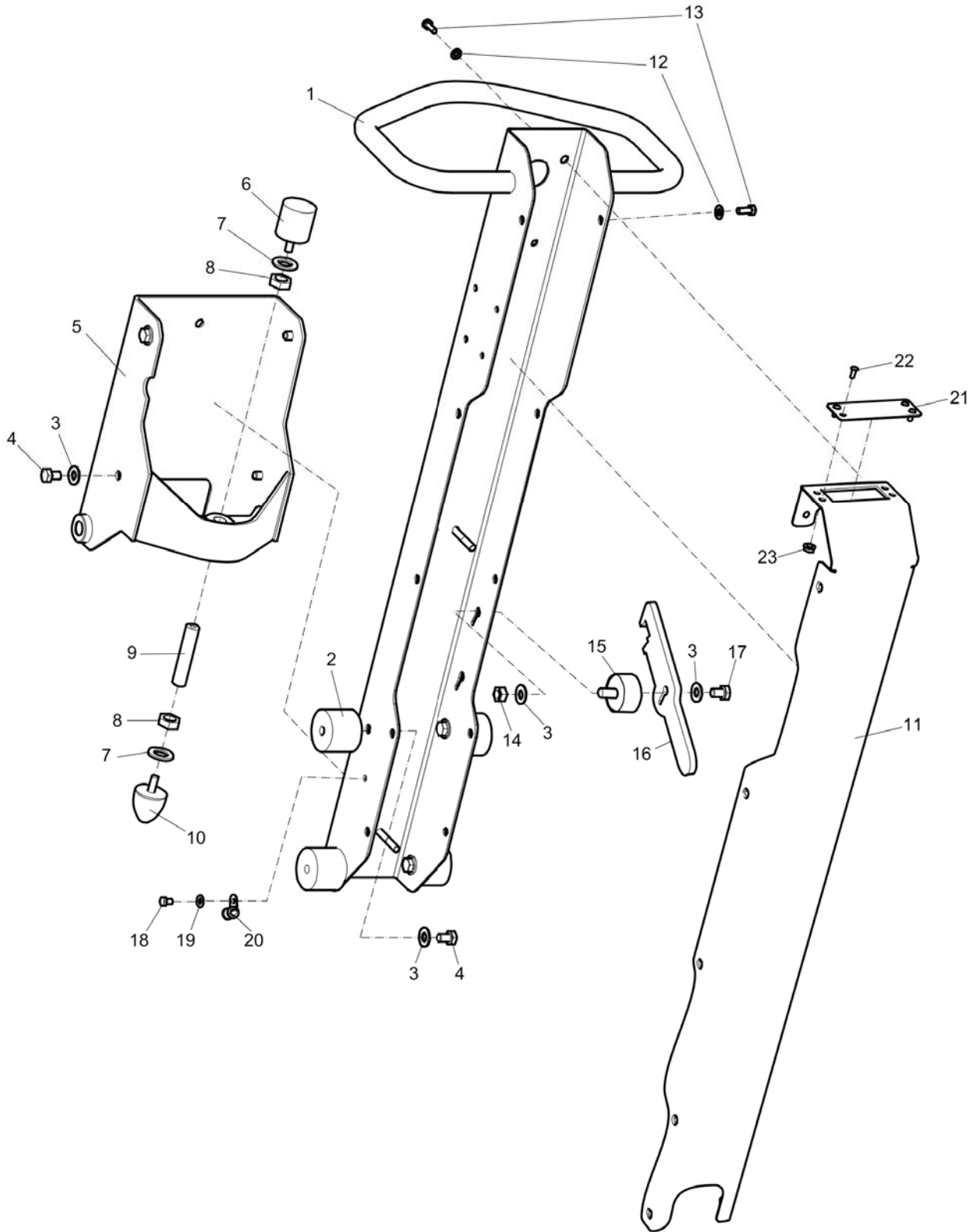
F | 90°, O-ring

G | Old version

H | New version. For valve, complete marked with "Caproni".

This page intentionally left blank

Spare parts list Handle

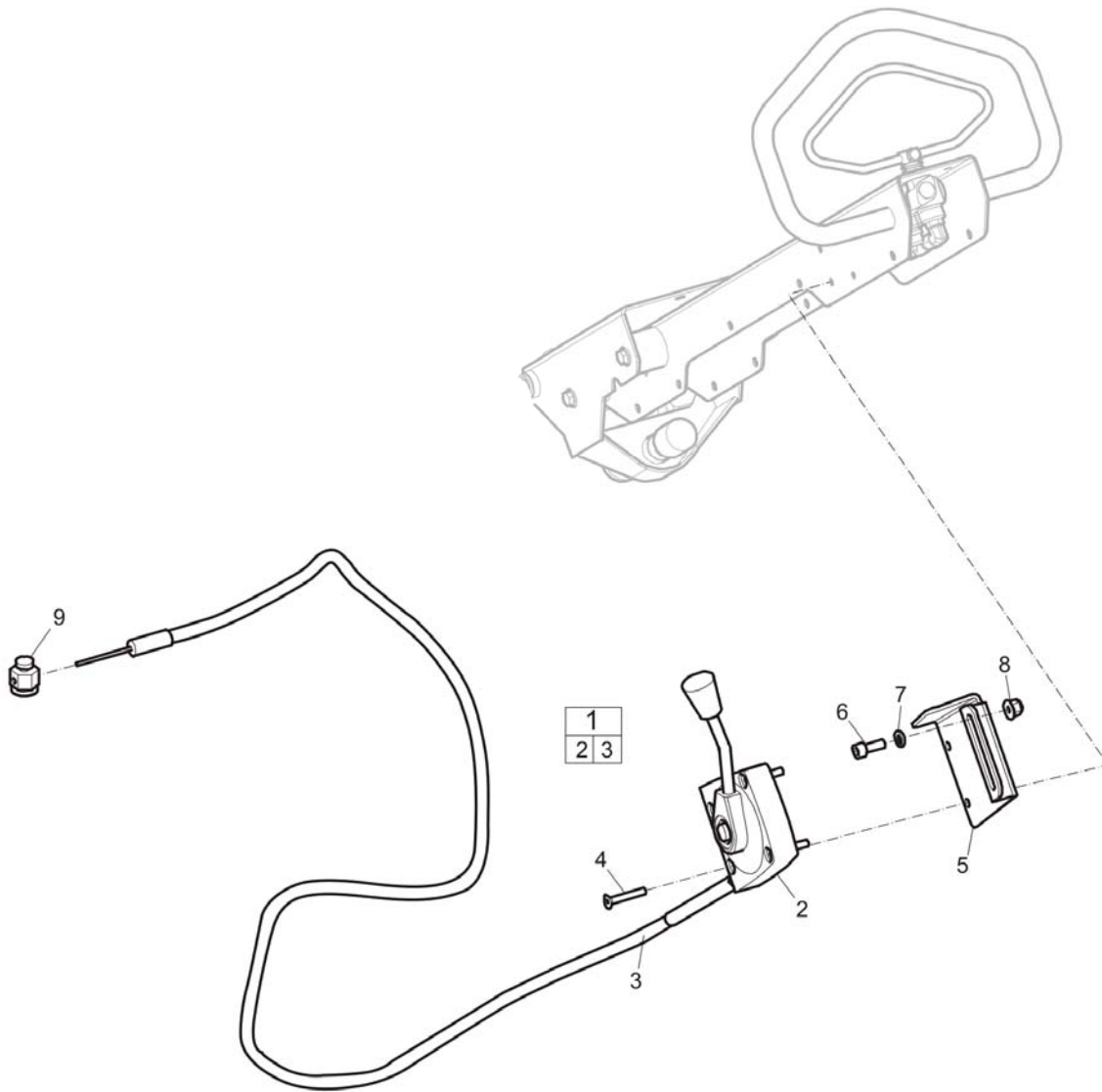


Refer to Parts Online for the most up to date information. The printed information might be outdated.

Wed Oct 22 00:43:32 MDT 2014

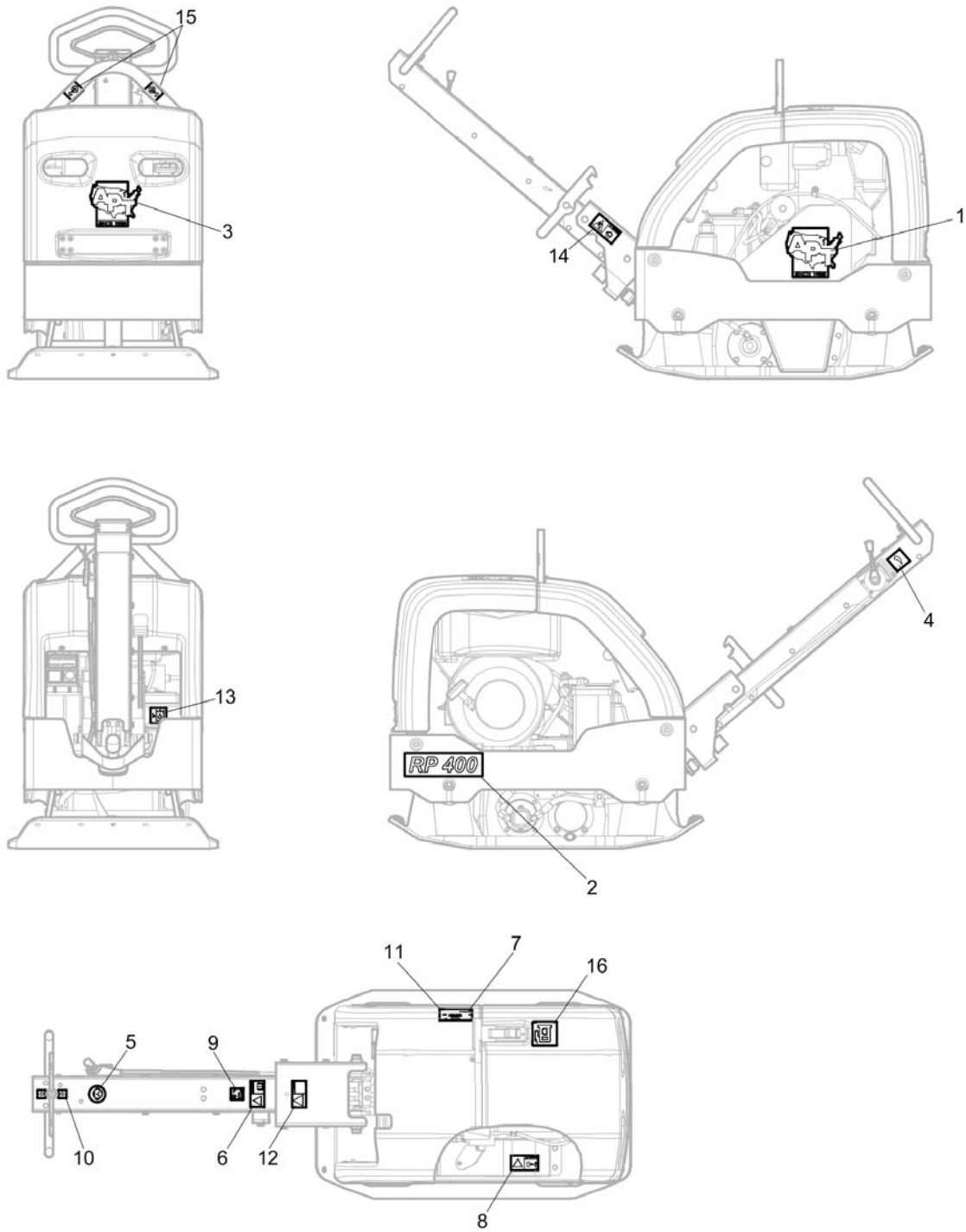
Item	Part No.	Name	Qty	L
1	3382 0125 68	Handle	1	
2	3382 0101 83	Shock absorber	4	
3	-	Steel plain washer, 10.5 x 22 x 2 mm, 0.41 x 0.87 x 0.08 in. 300 HV	10	
4	-	Screw, M10 x 14 mm 8.8 A3K	8	
5	3382 0125 69	Bracket	1	
6	4700 7928 32	Shock absorber	1	
7	-	Washer, 17 x 30 x 3 mm, 0.70 x 1.18 x 0.12 in. 300 HV	2	
8	4700 5730 04	Nut, M16 A3K	2	
9	4700 3975 83	Stud	1	
10	4700 7928 32	Shock absorber	1	
11	4700 3975 40	Cover	1	
12	-	Washer, 8.4 x 16 x 1.5 mm, 0.33 x 0.63 x 0.06 in. 300 HV	12	
13	-	Screw, M8 x 16 mm 8.8 A2K	12	
14	-	Nut, M10 A3K	1	
15	4700 3853 87	Shock absorber	1	
16	4700 3790 04	Hook	1	
17	-	Screw, M10 x 20 mm 8.8 A3K	1	
18	-	Screw, M6 x 12 mm 8.8 A2K	1	
19	-	Washer, 6.4 x 12 x 1.5 mm, 0.25 x 0.47 x 0.06 in. 300 HV	1	
20	4700 9210 65	Clamp	1	
21	4812 0703 18	Cover	1	
22	-	Screw, M5 x 14 A2-70	4	
23	-	Nut, M5 A2K	1	

Spare parts list Throttle control, Honda



Item	Part No.	Name	Qty	L
1	4812070263	Throttle control, cpl	1	
2	4700397114	Handle, complete	1	
3	4812070264	Control cable	1	
4	-	Screw, M5 x 30 mm A2-70	4	
5	4812070115	Throttle control bracket	1	
6	-	Screw, M6 x 16 mm 8.8 A2K	1	
7	-	Washer, 6.4 x 12 x 1.5 mm, 0.25 x 0.47 x 0.06 in. 300 HV	1	
8	-	Nut, M6 x 1 mm A2K	1	
9	4812070292	Holder	1	

Spare parts list Labels



Refer to Parts Online for the most up to date information. The printed information might be outdated.

Wed Oct 22 00:43:34 MDT 2014

Item	Part No.	Name	Qty	L
1	4700 3813 71	Label, petrol fuel	1	
2	3382 0126 63	Product label, "RP 400"	2	
3	3382 0126 60	Product label, "APT"	2	
4	4700 2842 85	Label, engine speed	1	
5	4700 2818 98	Label, ear protection	1	
6	4700 9046 80	Safety label, read instruction manual	1	
7	-	Data plate	1	
8	4700 9038 32	Safety label, rotating V-belts	1	
9	4700 7912 96	Noise level label	1	
10	4700 2842 78	Label, direction	2	
11	-	Drive screw	4	
12	4700 9047 85	Safety label, crush zone	1	
13	4700 2723 73	Label, hydraulic oil level	1	
14	4700 7913 66	Safety label, lock handle	1	
15	4700 3575 87	Label, lift point	2	

Kits One year service kit, Honda

**NO DRAWING
AVAILABLE
FOR THIS BOM**

Item	Part No.	Name	Qty	L
1	3382100053	One year service kit	1	
.1	3382100055	Air filter	5	
.2	3382100058	Gasket	1	A
.3	3382100056	Starting rope	1	
.4	3382100054	Spark plug	1	
.5	4812070478	V-belt	2	B
.6	3382100057	Gasket	1	C

Comments for Page: One year service kit, Honda

A | For oil drain plug.

B | See section "Engine installation".

C | For valve cover.

Kits Shock absorber repair kit

**NO DRAWING
AVAILABLE
FOR THIS BOM**

Item	Part No.	Name	Qty	L
1	3382100032	Shock absorber repair kit	1	
-	4700280454	Shock absorber	4	A
.Not Shown	-	Nut, M16 A3K, See section "Ground plate and eccentric element installation".	8	
.Not Shown	-	Washer, 13 x 30 x 4 mm, 0.51 x 1.18 x 0.16 in. 300 HV, See section "Ground plate and eccentric element installation".	8	
-	3382010183	Shock absorber	4	B
.Not Shown	-	Screw, M10 x 14 mm 8.8 A3K, See section "Handle".	8	
.Not Shown	-	Washer, 10.5 x 22 x 2 mm, 0.41 x 0.87 x 0.08 in. 300 HV, See section "Handle".	8	
-	4700792833	Shock absorber	1	C
-	4700792832	Shock absorber	1	D
.Not Shown	-	Nut, M16 A3K, See section "Handle".	2	
-	4700385387	Shock absorber	1	E
.Not Shown	-	Screw, M10 x 20 mm 8.8 A3K, See section "Handle".	1	
.Not Shown	-	Washer, 13 x 30 x 4 mm, 0.51 x 1.18 x 0.16 in. 300 HV, See section "Handle".	2	
.Not Shown	-	Washer, 10.5 x 22 x 2 mm, 0.41 x 0.87 x 0.08 in. 300 HV, See section "Handle".	1	

Comments for Page: Shock absorber repair kit

(L)OCAL REMARKS

A | For ground plate.

See section "Ground plate and eccentric element installation".

B | For handle.

See section "Handle".

C | See section "Handle".

D | See section "Handle".

E | For hook.

See section "Handle".

Kits Eccentric element repair kit

**NO DRAWING
AVAILABLE
FOR THIS BOM**

Item	Part No.	Name	Qty	L
1	3382100037	Eccentric element repair kit	1	
-	4700928794	Sealing ring	1	A
-	4700928786	Ball bearing	4	B
Not Shown	-	Washer, 6.4 x 12 x 1.5 mm, 0.25 x 0.47 x 0.06 in. 300 HV, See section "Eccentric element".	16	
Not Shown	-	Screw, M6 x 20 mm 8.8 A2K, See section "Eccentric element".	16	
Not Shown	-	Copper washer, 16.7 x 24 x 1.5 mm, 0.66 x 0.94 x 0.06 in. TYPE A, M16, See section "Eccentric element".	1	
-	4700928787	Retaining ring	1	C
-	4700929906	Packing	1	
-	4700928796	Ball bearing	2	D

Comments for Page: Eccentric element repair kit

(L)OCAL REMARKS

A | See section "Eccentric element".

B | See section "Eccentric element".

C | See section "Eccentric element".

D | See section "Eccentric element".

Kits Forward and reverse piston repair kit

**NO DRAWING
AVAILABLE
FOR THIS BOM**

Item	Part No.	Name	Qty	L
1	3382100035	Forward and reverse piston repair kit	1	
-	4700281276	Sealing ring	1	A
-	4812070044	Piston rod	1	B
-	4700151039	Retaining ring	1	C
-	4812070359	Ball bearing	1	D
-	4700150002	Retaining ring	1	E
-	4812070362	Thrust ball bearing	1	F
-	4812070363	Spring washer	1	G
-	4812070042	Hydraulic cylinder	1	H
-	4700629062	Spring pin	1	I
Not Shown	-	Washer, 6.4 x 12 x 1.5 mm, 0.25 x 0.47 x 0.06 in. 300 HV, See section "Eccentric element".	4	
Not Shown	-	Screw, M6 x 20 mm 8.8 A2K, See section "Eccentric element".	4	

Comments for Page: Forward and reverse piston repair kit

(L)OCAL REMARKS

A | See section "Eccentric element".

B | See section "Eccentric element".

C | See section "Eccentric element".

D | See section "Eccentric element".

E | See section "Eccentric element".

F | See section "Eccentric element".

G | See section "Eccentric element".

H | See section "Eccentric element".

I | See section "Eccentric element".



Any unauthorized use or copying of the contents or any part thereof is prohibited. This applies in particular to trademarks, model denominations, part numbers, and drawings.