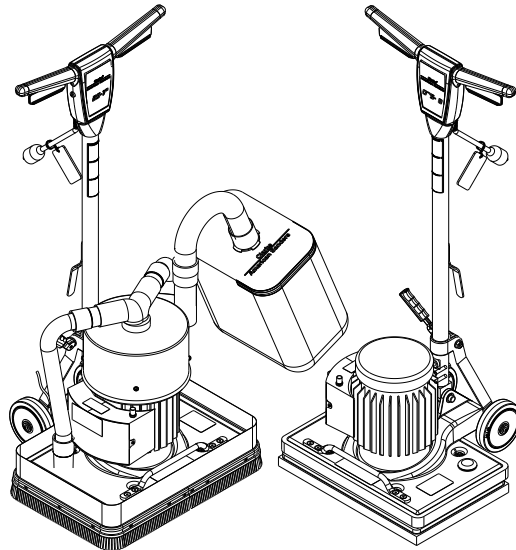


Clarke®

American Sanders®

OBS-18

OBS-18DC

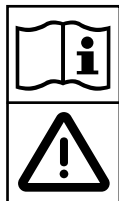


Operator's Manual
Bedienungshandbuch
Manual del operador
Manuel de l'utilisateur
Manuale per l'operatore

Руководство по эксплуатации

Active Models: 07076B, 07081B, 07083B, 07115A

Obsolete Models: 07079B, 07086B, 07122A, 07087B, 07121A



READ THIS BOOK

LESEN SIE DIESES HANDBUCH

LEA ESTE MANUAL

LISEZ CE MANUEL

IMPORTANTE

ПРОЧИТЕ ЭТУ КНИГУ

EN English (2-9)

DE Deutsch (10-17)

ES Español (18-25)

FR Français (26-33)

IT Italiano (34-41)

RU Русский (42-49)

READ THIS BOOK

This book has important information for the use and safe operation of this machine. Failure to read this book prior to operating or attempting any service or maintenance procedure to your Clarke American Sanders machine could result in injury to you or to other personnel; damage to the machine or to other property could occur as well. You must have training in the operation of this machine before using it. If your operator(s) cannot read this manual, have it explained fully before attempting to operate this machine.

All directions given in this book are as seen from the operator’s position at the rear of the machine.

Contents of this Book

Operator Safety Instructions 3
 Introduction and Machine Specifications 4
 Machine Transportation 4
 Machine Set-Up 5
 Operating Instructions 7
 Troubleshooting 8
 Sanding Cuts and Sandpaper 9

SECTION II Parts and Service Manual

Base Assembly 52-53
 Motor Assembly - Standard 54
 Motor Assembly - Dust Control 55
 Handle Assembly - 115V 56
 Handle Assembly - 230V 57
 Electrical Schematics 58

⚠ WARNING!

The Products sold with this Manual contain or may contain chemicals that are known to certain governments (such as the State of California, as identified in its Proposition 65 Regulatory Warning Law) to cause cancer, birth defects or other reproductive harm. In certain locations (including the State of California) purchasers of these Products that place them in service at an employment job site or a publicly accessible space are required by regulation to make certain notices, warnings or disclosures regarding the chemicals that are or may be contained in the Products at or about such work sites. It is the purchaser’s responsibility to know the content of, and to comply with, any laws and regulations relating to the use of these Products in such environments. The Manufacturer disclaims any responsibility to advise purchasers of any specific requirements that may be applicable to the use of the Products in such environments.

OPERATOR SAFETY INSTRUCTIONS

DANGER means:	Severe bodily injury or death can occur to you or other personnel if the DANGER statements found on this machine or in this Owner's Manual are ignored or are not adhered to. Read and observe all DANGER statements found in this Owner's Manual and on your machine.
WARNING means:	Injury can occur to you or to other personnel if the WARNING statements found on your machine or in this Owner's Manual are ignored or are not adhered to. Read and observe all WARNING statements found in this Owner's Manual and on your machine.
CAUTION means:	Damage can occur to the machine or to other property if the CAUTION statements found on your machine or in this Owner's Manual are ignored or are not adhered to. Read and observe all CAUTION statements found in this Owner's Manual and on your machine.



DANGER:



Failure to read the Owner's Manual prior to operating or servicing your Clarke American Sanders machine could result in injury to you or to other personnel; damage to the machine or to other property could occur as well. You must have training in the operation of this machine before using it. **If you or your operator(s) cannot read English, have this manual explained fully before attempting to operate this machine.**



DANGER:



- Sanding/finishing wood floors can create an explosive or combustible environment. Do not operate this machine around solvents, thinners, alcohol, fuels, floor finishes, wood dust or any other flammable materials. Cigarette lighters, pilot lights, electrical sparks and all other sources of ignition should be extinguished or avoided. Keep work area well ventilated.
- Dust generated from sanding wood floors can spontaneously ignite or explode. Promptly dispose of any sanding dust in a metal container clear of any combustibles. Do not dispose in a fire.



DANGER:



- Electrocutation could occur if the machine is being serviced while the machine is connected to a power source. Disconnect the power supply before servicing.
- Electrocutation or fire could occur if the machine is being operated with a damaged power cord. Keep the power cord clear of the pad. Always lift the cord over the machine. Do not move the machine by the power cord.
- Shock hazard. Do not use the machine if it has been rained on or sprayed with water.



DANGER:



To avoid injury keep hands, feet, and loose clothing away from all moving parts on the machine. Disconnect the power cord before replacing the pad, changing the abrasive, or when servicing. Do not operate the machine unless all guards are in place. Never leave the machine unattended while connected to a power source.



WARNING:



Injury can occur if protective clothing or equipment is not used while sanding. Always wear safety goggles, protective clothing, and dust mask while sanding.



WARNING:



This sander is not to be used on pressure treated wood. Some pressure treated woods contain arsenic and sanding pressure treated wood produces hazardous dust. Inhaling hazardous dust from pressure treated wood can cause serious injury or death. Sanding pressure treated wood decks or uneven surfaces can damage the sander which is not covered under warranty or damage waiver.



WARNING:

Any alterations or modifications of this machine could result in damage to the machine or injury to the operator or other bystanders. Alterations or modifications not authorized by the manufacturer voids any and all warranties and liabilities.

Introduction & Machine Specifications

The OBS-18 or OBS-18DC can be used on a variety of surfaces. It is an ideal tool for wood flooring maintenance and restoration work. It is also suitable for cleaning hard surfaces such as tile or Terrazzo.

Model	OBS-18			OBS-18DC		
Code Number	07076B	07079B / 07116A / 07086B	07122A	07081B	07083B / 07115A / 07087B	07121A
Voltage/Frequency	115V/60Hz	230V/50Hz	115V/50Hz	115V/60Hz	230V/50Hz	115V/50Hz
Amperage (A)	10	5	10.5	10	5	10.5
Motor	1 hp	0.75 kw	0.75 kw	1hp	0.75kw	0.75kw
Pad Size	12" x 18"	305 x 457 mm	305 x 457 mm	12" x 18"	305 x 457mm	305 x 457mm
Orbits Per Minute	3600	3000	3000	3600	3000	3000
Orbit Dia.	1/4 inch	6.4 mm	6.4 mm	1/4 inch	6.4 mm	6.4 mm
Shipping Weight	125 lbs.	57 kg.	57 kg.	125 lbs.	57 kg	57 kg
Noise (dBA)	74	74	74	74	74	74
Vibration (m/s/s)	11.2	11.2	11.2	11.2	11.2	11.2

Machine Transportation

To transport the machine, follow this procedure:

1. Unplug machine from wall outlet and wrap cord.
2. Raise and lock the handle to the upright position. To lock the handle, pull up on the Handle Release Compression Lever. See figure 1.
3. Grasp the machine at the lifting sites and place in cargo area. See figure 2.

⚠ WARNING: The machine is heavy (125 lbs./57kg). to avoid injury or damage to the machine use a firm grip and proper lifting technique. Get assistance if necessary.

4. Secure machine to prevent movement in cargo area.

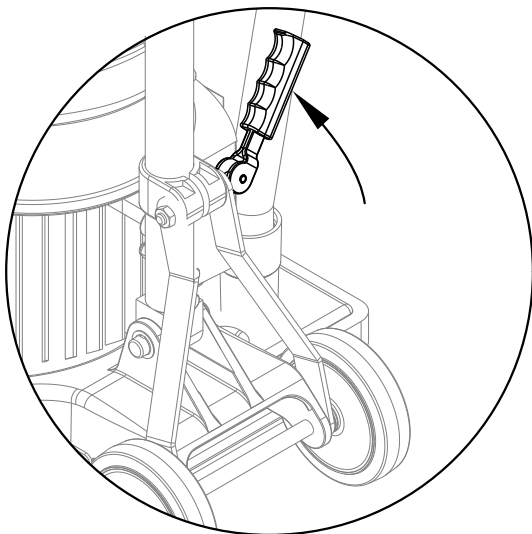


Figure # 1

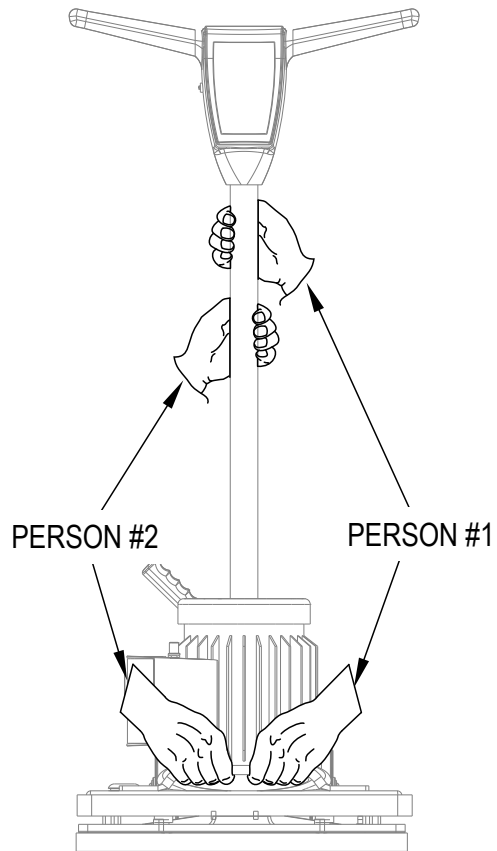


Figure # 2

Machine Setup

To prepare the machine for use follow this procedure:

1. Familiarize yourself with the machine. Read all danger, warning, and caution statements and the Operation and Parts Manual before operating the machine. If you or the operator are unable to read English, have this manual fully explained before attempting to operate this machine.
2. Install or replace pad. The pad should be replaced if it has become matted down to a thickness of $3/8$ " or less. To install or replace the pad, follow these instructions:
 - a.) Lock handle in the upright position.
 - b.) Tilt the machine back until it fully rests on the handle.
 - c.) Standing over the machine, remove existing pad then center new pad over grip face.
 - d.) Press pad against grip face until the hooks in the driver have set in the pad. See figure 3.
 - e.) Return machine to the upright position.



Figure # 3

⚠ CAUTION: Damage to the grip face will occur if the machine is operated without a pad or with a pad that is $3/8$ " or thinner.

⚠ WARNING: Never put yourself or let others be in a position to get injured if the machine should tip or fall, while replacing the pad or changing abrasive.

Machine Setup

This sanding machine is designed to be operated with a remote vacuum dust collection system or with the included dust bag.

Preparing Remote Vacuum Dust Collection Systems

To prepare the machine for remote vacuum dust collection systems that have a 2" hose end, follow this procedure:

1. Install 2" hose end (figure 4, A) directly into the exhaust tube (figure 4, B).
2. The exhaust tube can be rotated for optimum convenience.

To prepare the machine for remote vacuum dust collection systems that have a 1 ½" hose end, follow this procedure:

1. Install the 2" x 1½" hose end adaptor (Part No. 30563A) (figure 4, C) over the exhaust tube (figure 4, B).
2. Insert 1½" hose end (figure 4, D) into the adaptor (figure 4, C).

NOTE: Start the remote vacuum collection system before operation.

Preparing to use the included dust bag

To prepare the machine for use with the included dust bag (Part No. 53741A), follow this procedure:

1. Install the dust bag by pressing the end onto the exhaust tube until the ring locks into the groove (figure 5). This is best done by pressing on the back of the bag opening with the palm of your hand.
2. The exhaust tube can be rotated for optimum convenience.
3. To remove the dust bag from the exhaust tube, pry up the end of the bag opening to partially release the internal rib from the groove, then pull.
4. To empty the dust bag, unzip the disposal flap and force contents out by inverting the bag.

NOTE: For best results, empty frequently. Follow all warnings posted in this manual and on the dust bag.

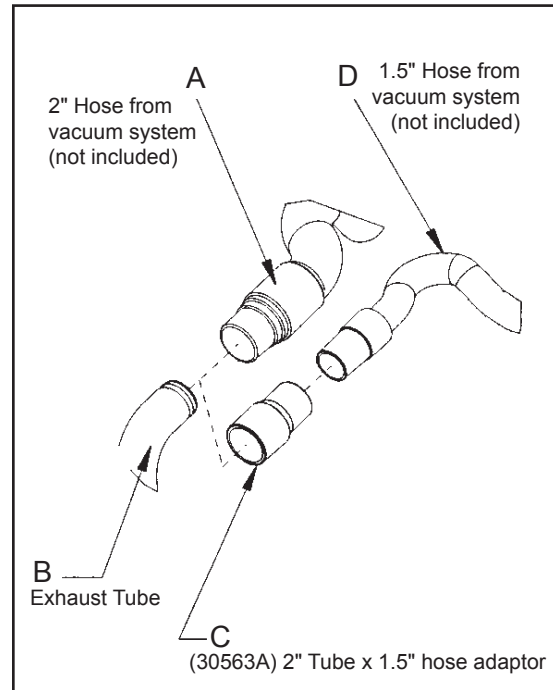


Figure 4

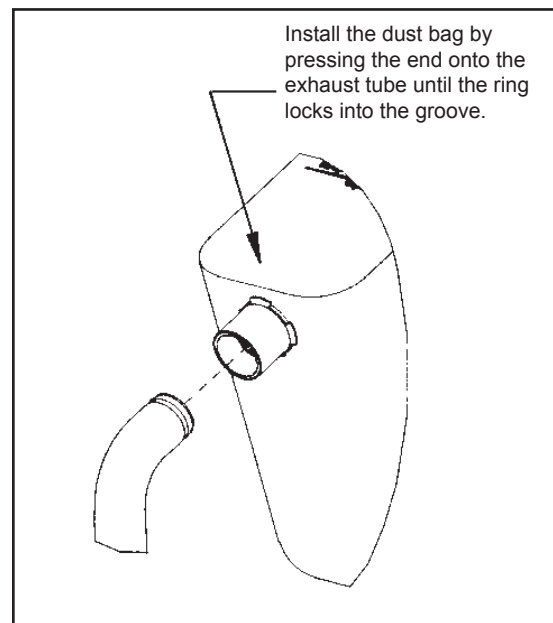


Figure 5

Operating Instructions – Sanding

To operate the machine as a sander follow this procedure:

1. Move machine to work location. Decide the best approach to sanding the desired area. When sanding the area, work so that you are moving away from the power supply. This will help to avoid entanglement with the power cord and reduce the need to move the power cord as frequently.
2. Install the abrasive. Use the same procedure outlined in MACHINE SETUP for installing the pad, to install the abrasive. Peel the film off the back of the abrasive; center the abrasive over the pad and press it against the pad. The adhesive on the abrasive will hold it to the pad.

NOTE: When using screen abrasive, set the screen on the floor then move the machine over the screen. Lower the machine until the pad comes to rest on the screen. Make sure the screen is centered on the pad.

WARNING: Injury can occur if the machine is connected to a power source while installing the pad or abrasive. Disconnect the machine before installing the pad/abrasive.

3. Connect the machine to an appropriately fused and grounded circuit.
4. Release the handle by pressing up on the locking lever. Bring the handle to a comfortable position.

CAUTION: Do not lock the handle. Locking the handle will prevent the machine from resting evenly on the pad and diminish the machine performance and reliability.

5. Push the interlock button (1), and apply pressure to the levers (2). To stop the machine, release the levers (2). See figure 6.

CAUTION: To prevent damage to the flooring and to reduce swirling, keep the machine in motion while the motor is running.

NOTE: For sanding cuts and sandpaper, see page 9.

Operating Instructions - Polishing

To operate the machine as a polisher follow this procedure:

WARNING: Injury can occur if the machine is connected to a power source while installing the pad or abrasive. Disconnect the machine before installing the pad/abrasive.

1. Connect the machine to an appropriately fused and grounded circuit.
2. Release the handle by pressing up on the locking lever. Bring the handle to a comfortable position.

CAUTION: Do not lock the handle. Locking the handle will prevent the machine from resting evenly on the pad and diminish the machine performance and reliability.

3. Push the interlock button (1), and apply pressure to the levers (2). To stop the machine, release the levers (2). See figure 6.

CAUTION: To prevent damage to the flooring and to reduce swirling, keep the machine in motion while the motor is running.

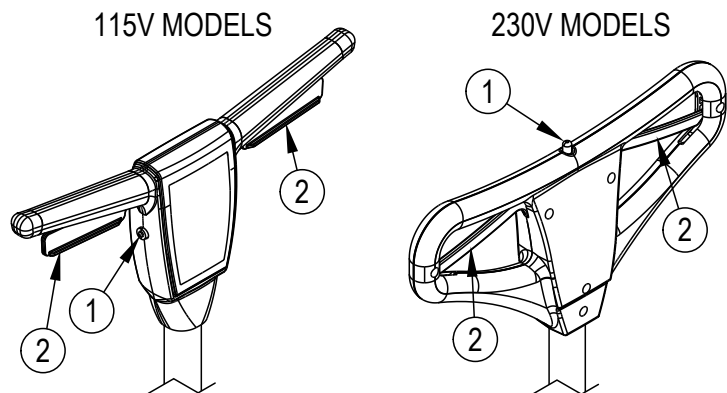


Figure # 6

Troubleshooting

Problem	Cause	Action
Motor will not start.	No power. Interlock not depressed. Defective switch/ Bad connection	Check power supply and connection Depress Interlock before activating control lever. Contact an authorized Clarke American Sanders Dealer.
Motor fails to start / runs sluggish.	Low voltage from excessive length or undersized extension cord. Defective start capacitor. Defective start switch. Defective start/run capacitor Defective motor low voltage	Use a 14 Ga extension cord, not to exceed 50' length. Contact an authorized Clarke American Sanders Dealer. Contact an authorized Clarke American Sanders Dealer. Contact an authorized Clarke American Sanders Dealer. Contact an authorized Clarke American Sanders Dealer.
Fuse / Circuit Breaker repeatedly trips.	Low voltage. Bad connection. Defective motor.	Eliminate extension cord. Locate power source closer to work site. Have voltage checked by a qualified electrician. Contact an authorized Clarke American Sanders Dealer. Contact an authorized Clarke American Sanders Dealer.

SANDING CUTS AND SANDPAPER

Initial Cut

The purpose of the initial cut is to remove old finish and gross imperfections on the floor surface. Use a coarse (20-36 grit) grain abrasive.

Final Cuts

The purpose of a finishing cut is to remove the scratches produced during the initial cut. Use a fine (60-80 grit) grain abrasive. If the surface remains rough after a finishing cut, it may be necessary to use an even finer grain of abrasive (80-100grit). Care should be taken in selecting the grit size of the abrasive. A very fine grain will close the pores on a wood floor making admission of a stain difficult.

If glazing or burning should occur the abrasive has dulled and must be replaced.

LESEN SIE DIESES HANDBUCH

Dieses Handbuch enthält wichtige Informationen für den Gebrauch und den sicheren Betrieb dieser Maschine. Versäumen Sie es, dieses Handbuch vor der Inbetriebnahme oder vor der Ausführung von Service- oder Wartungsarbeiten an Ihrer Clarke American Sanders-Maschine zu lesen, kann dies zu Schäden Ihrer Person oder anderen Personals führen. Ebenso könnten Schäden an der Maschine oder andere Sachschäden auftreten. Bevor Sie diese Maschine bedienen, müssen Sie sich mit Ihrer Bedienung vertraut gemacht haben. Wenn Sie kein Englisch verstehen, lassen Sie sich dieses Handbuch vor Bedienung dieser Maschine vollständig erklären.

Alle in diesem Handbuch angegebenen Richtungen beziehen sich auf die Position des Bedieners hinter der Maschine.

Inhaltsverzeichnis

Sicherheitsanweisungen für den Benutzer	11
Einführung und Daten der Maschine	12
Maschinentransport	12
Maschinenaufbau	13
Bedienungsanweisungen	15
Fehlersuche	16
Schliffe und Schleifpapier	17

SICHERHEITSANWEISUNGEN FÜR DEN BENUTZER

GEFAHR bedeutet:	Es besteht die Gefahr schwerer körperlicher Schäden oder Lebensgefahr für Sie oder anderes Personal, wenn die GEFAHR hinweise auf der Maschine oder im Handbuch nicht beachtet oder befolgt werden. Lesen Sie alle in diesem Benutzerhandbuch und auf der Maschine angegebenen GEFAHR hinweise, und halten Sie sich daran.
WARNUNG bedeutet:	Sie oder anderes Personal laufen Gefahr von Personenschäden, wenn die WARN hinweise auf Ihrer Maschine oder in diesem Handbuch nicht beachtet oder befolgt werden. Lesen Sie alle in diesem Benutzerhandbuch und auf der Maschine angegebenen WARN hinweise, und halten Sie sich daran.
VORSICHT bedeutet:	Es können Schäden an der Maschine oder andere Sachschäden auftreten, wenn die Hinweise zur VORSICHT auf Ihrer Maschine oder in diesem Benutzerhandbuch nicht beachtet oder befolgt werden. Lesen Sie alle in diesem Benutzerhandbuch und auf Ihrer Maschine angegebenen Hinweise zur VORSICHT , und halten Sie sich daran.



GEFAHR:



Versäumen Sie es, dieses Handbuch vor der Inbetriebnahme oder vor der Ausführung von Servicearbeiten an Ihrer Clark-Maschine zu lesen, kann dies zu Schäden Ihrer Person oder anderen Personals führen. Ebenso könnten Schäden an der Maschine oder andere Sachschäden auftreten. Bevor Sie diese Maschine bedienen, müssen Sie sich mit Ihrer Bedienung vertraut gemacht haben. **Wenn Sie oder Ihr Bedienungspersonal kein Englisch verstehen, lassen Sie sich dieses Handbuch vor Bedienung dieser Maschine vollständig erklären.**



GEFAHR:



- Schleifen oder Polieren von Holzböden kann zu Explosions- oder Brandgefahr in der Umgebung führen. Setzen Sie diese Maschine nicht in der Nähe von Lösungsmitteln, Verdünnern, Alkohol, Treibstoffen, Bodenfarben, Holzstaub oder anderen brennbaren Materialien ein. Zigarettenanzünder, Zündflammen, elektrische Funken und andere Zündquellen sollten ausgeschaltet oder vermieden werden. Sorgen Sie für gute Belüftung im Arbeitsbereich.
- Der beim Schleifen von Holzböden entstehende Staub kann sich spontan entzünden oder explodieren. Entsorgen Sie jeglichen Schleifstaub sofort in einem von brennbaren Materialien freien Metallbehälter. Nicht in offenes Feuer schütten.



GEFAHR:



- Tödliche Elektroschocks sind möglich, wenn Wartungsarbeiten an der Maschine durchgeführt werden, während diese an eine Stromquelle angeschlossen ist. Schalten Sie die Stromversorgung aus, bevor Sie Wartungsarbeiten durchführen.
- Tödliche Elektroschocks sind möglich oder Brände können entstehen, wenn die Maschine mit defektem Stromkabel benutzt wird. Halten Sie das Stromkabel von der Schleiffläche entfernt. Heben Sie das Kabel immer über die Maschine. Bewegen Sie die Maschine nicht, indem Sie am Stromkabel ziehen.
- Stromschlaggefahr. Verwenden Sie die Maschine nicht, wenn Sie Regen ausgesetzt war oder mit Wasser besprüht wurde.



GEFAHR:



Um Verletzungen zu vermeiden, halten Sie Hände, Füße und weite Kleidung von den beweglichen Teilen der Maschine fern. Stecken Sie das Stromkabel aus, bevor Sie die Schleiffläche oder das Schleifmaterial ersetzen oder Wartungsarbeiten durchführen. Benutzen Sie die Maschine erst, wenn alle Schutzvorrichtungen an ihrem Platz sind. Lassen Sie die Maschine nie unbeaufsichtigt, während sie an eine Stromquelle angeschlossen ist.



WARNUNG:



Es können Verletzungen auftreten, wenn während des Schleifens Schutzkleidung- und ausrüstung nicht verwendet werden. Tragen Sie während des Schleifens stets Schutzbrille, -kleidung und Staubmaske.



WARNUNG:



Diese Schleifmaschine darf nicht auf Pressholz eingesetzt werden. Manche Presshölzer enthalten Arsen. Beim Schleifen solcher Presshölzer wird gefährlicher Staub erzeugt. Das Einatmen des Staubs von Pressholz kann zu schweren gesundheitlichen Schäden oder zum Tod führen. Das Schleifen von Pressholz oder unebenen Flächen kann die Schleifmaschine beschädigen. In diesem Fall erlischt die Garantie – die Haftungsbeschränkung für Schäden tritt in Kraft.



WARNUNG:

Jegliche Umbauten oder Veränderungen an der Maschine können zu Schäden an der Maschine oder Verletzungen des Benutzers oder Außenstehender führen. Nicht vom Hersteller genehmigte Umbauten oder Veränderungen führen zu einem Erlöschen jeglicher Garantie und Haftung.

Einführung und Daten der Maschine

Die OBS-18 oder OBS-18DC kann für eine Vielzahl von Oberflächen verwendet werden. Sie ist ideal für die Pflege von Holzböden und für Restaurationsarbeiten. Ebenso ist sie geeignet für die Reinigung harter Oberflächen wie Steinfliesen und Terrazzo.

Modell	OBS-18			OBS-18DC		
Kodenummer	07076B	07079B/07116A/ 07086B	07122A	07081B	07083B/07115A/ 07087B	08943A
Spannung/Frequenz	115V/60Hz	230V/50Hz	115V/50Hz	115V/60Hz	230V/50Hz	1150V/50Hz
Stromstärke (A)	10	5	5	10	5	5
Motor	0.75 kw	0.75 kw	0.75 kw1	0.75 kw	0.75kw	0.75kw
Schleifscheibengröße	305 x 457 mm	305 x 457 mm	305 x 457 mm	305 x 457 mm	305 x 457mm	305 x 457mm
Orbits pro Minute	3600	3000	3000	3600	3000	3000
Orbitdurchmesser	6.4 mm	6.4 mm	6.4 mm	6.4 mm	6.4 mm	6.4mm
Versandgewicht	57 kg.	57 kg.	57 kg	57 kg.	57 kg	57kg
Geräuschpegel (Dez.)	74	74	74	74	74	74
Vibration (m/s/s)	11.2	11.2	11.2	11.2	11.2	11.2

Maschinentransport

Zum Transport der Maschine gehen Sie wie folgt vor:

1. Stecken Sie die Maschine aus der Wandsteckdose aus, und wickeln Sie das Kabel auf.
2. Heben Sie den Griff und sichern Sie ihn in aufrechter Position. Um den Griff zu verriegeln, ziehen Sie den „Kompressionshebel zum Lösen des Griffs“ nach oben. Siehe Abb. 1.
3. Fassen Sie die Maschine an den Hebeflächen, und setzen Sie sie in den Frachtbereich.

⚠️ WARNUNG: Die Maschine ist schwer (57 kg). Um Verletzungen oder Schäden an der Maschine zu vermeiden, halten Sie sie gut fest und wenden Sie die richtige Hebeteknik an. Lassen Sie sich helfen, wenn notwendig.

4. Sichern Sie die Maschine, um Bewegungen im Frachtbereich zu verhindern.

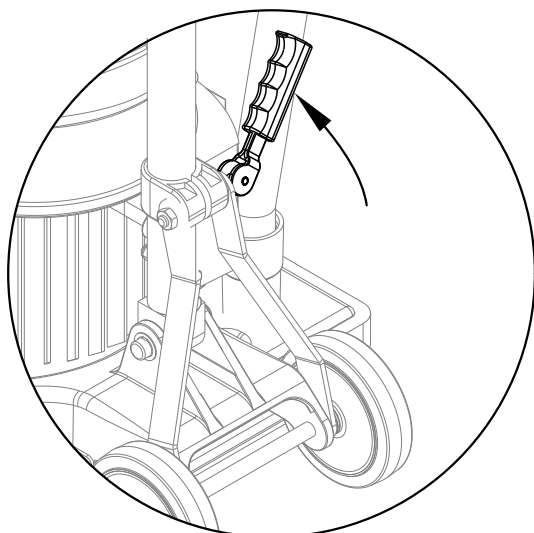


Abbildung 1

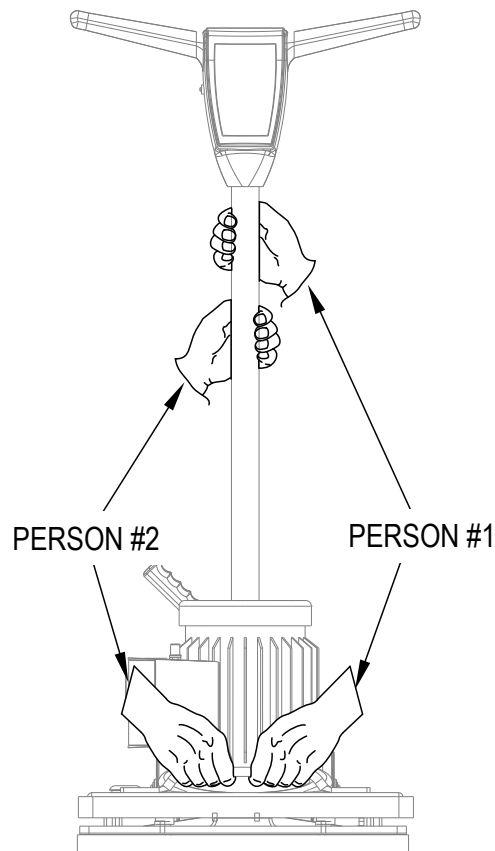


Abbildung 2

Aufbau der Maschine

Zur Vorbereitung der Maschine zur Benutzung gehen Sie wie folgt vor:

1. Machen Sie sich mit der Maschine vertraut. Lesen Sie alle Gefahren- und Warnhinweise, die Hinweise zur Vorsicht und das Benutzer- und Teilehandbuch, bevor Sie die Maschine benutzen. Kann der Benutzer kein Englisch, lassen Sie dieses Handbuch vollständig erklären, bevor Sie die Maschine bedienen.
2. Installieren oder ersetzen Sie die Schleiffläche. Die Schleiffläche sollte ersetzt werden, wenn sie bis zu einer Dicke von einem Zentimeter oder weniger abgenutzt ist. Zum Installieren oder Ersetzen der Schleiffläche halten Sie sich an die folgenden Anweisungen:
 - a.) Sichern Sie den Griff in aufrechter Position.
 - b.) Kippen Sie die Maschine, bis sie völlig auf dem Griff aufliegt.
 - c.) Ersetzen Sie die vorhandene Schleiffläche über der Maschine stehend, und zentrieren Sie eine neue Schleiffläche auf dem dem Schleifflächenantrieb.
 - d.) Drücken Sie die Schleiffläche gegen den Schleifflächenantrieb, bis die Haken des Antriebs die Schleiffläche erfaßt haben. Siehe Abbildung 3.
 - e.) Bringen Sie die Maschine wieder in Ihre aufrechte Position.



Abbildung 3

⚠ VORSICHT: Es treten Schäden am Schleifflächenantrieb auf, wenn die Maschine ohne Schleiffläche oder mit einer Schleiffläche von 1 cm Dicke oder weniger betrieben wird.

⚠ WARNUNG: Sie oder andere Personen sollten sich nie in einer Position befinden, in der Sie im Falle des Kippens oder Fallens der Maschine verletzt werden könnten, während die Schleiffläche entfernt oder das Schleifmaterial ersetzt wird.

Maschinenaufbau

Die vorliegende Schleifmaschine ist für den Betrieb zusammen mit einem externen Staubabsaugsystem oder dem beiliegenden Staubbeutel vorgesehen.

Vorbereitung eines externen Staubabsaug- und Sammelsystems

Die Maschine wird für externe Staubabsaug- und Sammelsysteme mit einem Anschluß für 2"-Schläuche folgendermaßen vorbereitet:

1. Das 2"-Schlauchstück (Abbildung 4 A) direkt über das Abluftrohr ziehen (Abbildung 4 B).
2. Das Abluftrohr kann zur leichteren Handhabung gedreht werden.

Die Maschine wird für externe Staubabsaug- und Sammelsysteme mit einem Anschluß für 1½"-Schläuche folgendermaßen vorbereitet:

1. Den 2" x 1½" Schlauch-Adapter (Teile-Nr. 30563A) (Abbildung 4 C) über das Abluftrohr ziehen (Abbildung 4 B).
2. Das 1½"-Schlauchstück (Abbildung 4 D) in den Adapter stecken (Abbildung 4 C).

HINWEIS: Das externe Staubabsaug- und Sammelsystem vor Inbetriebnahme der Maschine einschalten.

Vorbereitung für die Verwendung des mitgelieferten Staubbeutels

Die Maschine wird für die Verwendung mit dem mitgelieferten Staubbeutel (Teile-Nr. 53544B), folgendermaßen vorbereitet:

1. Den Staubbeutel auf das Abluftrohr schieben, bis der Ring in der Rille einrastet. (Abbildung 5). Hierzu drücken Sie am besten mit der Handfläche gegen die Rückseite des Beutels.
2. Das Abluftrohr kann zur leichteren Handhabung gedreht werden.
3. Zum Abnehmen des Staubbeutels vom Abluftrohr die Beutelöffnung aufspreizen, um den Innenring etwas aus der Rille herauszulösen und den Beutel dann abzuziehen.
4. Zum Leeren des Staubbeutels die Entleerungsklappe öffnen und den Inhalt durch Umstülpen des Beutels entleeren.

HINWEIS: Für beste Ergebnisse den Beutel öfters entleeren. Alle Warnhinweise in dieser Bedienungsanleitung und auf dem Staubbeutel beachten.

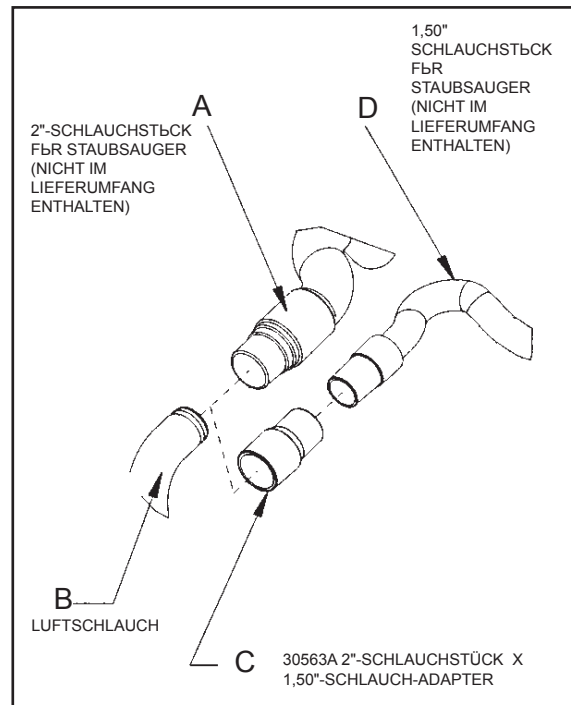


Abbildung 4

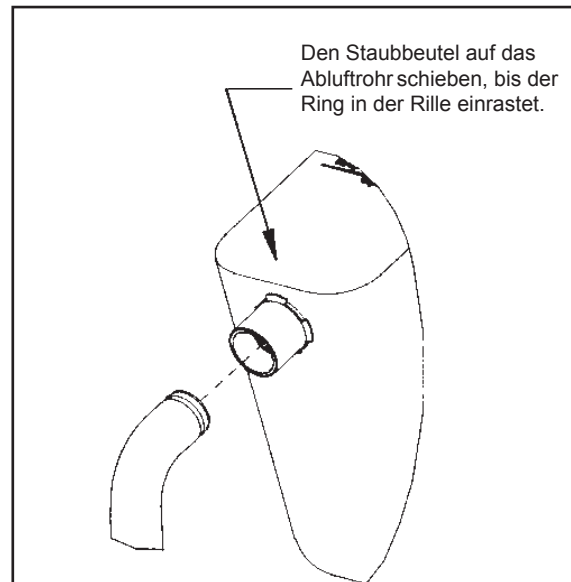


Abbildung 5

Bedienungsanweisung – Schleifen

Zur Benutzung der Maschine als Schleifmaschine gehen Sie wie folgt vor:

1. Bringen Sie die Maschine in den Arbeitsbereich. Wählen Sie die beste Herangehensweise an den zu schleifenden Bereich. Wenn Sie den Bereich schleifen, arbeiten Sie so, daß Sie sich von der Stromquelle wegbewegen. Dies vermeidet Verwicklungen des Stromkabels, und es muß weniger bewegt werden.
2. Installieren Sie das Schleifmaterial. Gehen Sie wie in MASCHINE-NAUFBAU beschrieben vor. Entfernen Sie den Schutzfilm von der Rückseite des Schleifmaterials. Zentrieren Sie das Schleifmaterial über der Schleiffläche, und drücken Sie es dagegen. Das Klebemittel auf dem Schleifmaterial hält es an der Schleiffläche.

BEACHTEN: Wenn Sie Filterschleifmittel verwenden, setzen Sie den Filter auf den Boden und dann die Maschine darüber. Senken Sie die Maschine, bis die Schleiffläche auf den Filter aufsetzt. Stellen Sie sicher, daß der Filter auf der Schleiffläche zentriert ist.

! WARNUNG: Es besteht Verletzungsgefahr, wenn die Maschine während der Installation einer Schleiffläche oder von Schleifmaterial an eine Stromquelle angeschlossen ist. Stecken Sie die Maschine aus, bevor Sie eine Schleiffläche/Schleifmaterial installieren.

3. Schließen Sie die Maschine an einen entsprechend mit Sicherungen ausgestatteten und geerdeten Stromkreis an.
4. Lösen Sie den Griff, indem Sie den Sicherungshebel nach oben drücken. Bringen Sie den Griff in eine bequeme Position.

! VORSICHT: Den Griff nicht verriegeln. Mit verriegeltem Griff liegt die Maschine nicht gleichmäßig auf dem Schleifkissen auf, was Leistung und Zuverlässigkeit der Maschine beeinträchtigt.

5. Die Verriegelungstaste (1) drücken und die Hebel (2) betätigen. Zum Stoppen der Maschine die Hebel (2) loslassen. Siehe Abbildung 6.

! VORSICHT: Um Schäden am Boden zu vermeiden und das Wirbeln zu reduzieren, halten Sie die Maschine in Bewegung solange der Motor läuft.

BEACHTEN: Für Schlitze und Schleifpapier siehe Seite 17.

Bedienungsanweisung – Polieren

Zur Benutzung der Maschine als Poliermaschine gehen Sie wie folgt vor:

! WARNUNG: Es besteht Verletzungsgefahr, wenn die Maschine während der Installation einer Schleiffläche oder von Schleifmaterial an eine Stromquelle angeschlossen ist. Stecken Sie die Maschine aus, bevor Sie eine Schleiffläche/Schleifmaterial installieren.

1. Schließen Sie die Maschine an einen entsprechend mit Sicherungen ausgestatteten und geerdeten Stromkreis an.
2. Lösen Sie den Griff, indem Sie den Sicherungshebel nach oben drücken. Bringen Sie den Griff in eine bequeme Position. Sichern Sie den Hebel für lange gleichmäßige Strecken. Lassen Sie dem Griff "Spiel", wenn Sie die Maschine in kleinen Bereichen hin und her bewegen.

! VORSICHT: Den Griff nicht verriegeln. Mit verriegeltem Griff liegt die Maschine nicht gleichmäßig auf dem Schleifkissen auf, was Leistung und Zuverlässigkeit der Maschine beeinträchtigt.

3. Die Verriegelungstaste (1) drücken und die Hebel (2) betätigen. Zum Stoppen der Maschine die Hebel (2) loslassen. Siehe Abbildung 6.

! VORSICHT: Um Schäden am Boden zu vermeiden und das Wirbeln zu reduzieren, halten Sie die Maschine in Bewegung solange der Motor läuft.

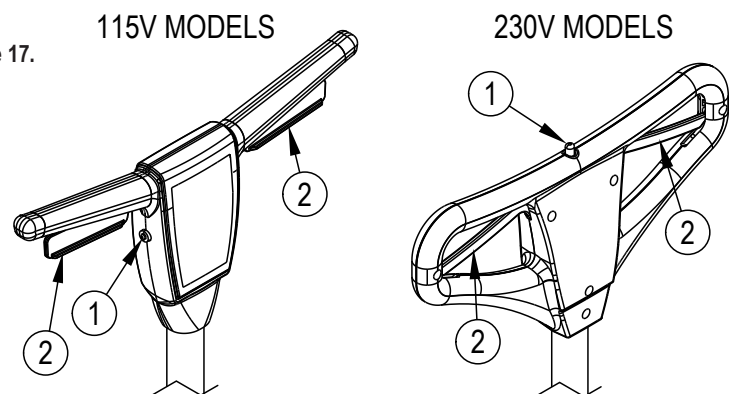


Abbildung 6

Fehlersuche

Problem	Grund	Abhilfe
Der Motor springt nicht an.	Kein Strom. Interlock ist nicht gedrückt. Defekter Schalter/Wackelkontakt.	Überprüfen Sie Stromversorgung und Anschluß. Drücken Sie Interlock, bevor Sie die Steuerhebel betätigen. Kontaktieren Sie einen autorisierten Clarke-Händler.
Motor springt nicht richtig an/läuft zäh.	Niederspannung durch übermäßige Kabellänge oder zu kurzes Verlängerungskabel. Defekter Startkondensator. Defekter Startschalter. Defekter Start/Lauf-Kondensator. Defekte Motorniederspannung.	Verwenden Sie ein 14 Ga Verlängerungskabel, das eine Länge von 15 m nicht überschreitet. Kontaktieren Sie einen autorisierten Clarke-Händler. Kontaktieren Sie einen autorisierten Clarke-Händler. Kontaktieren Sie einen autorisierten Clarke-Händler. Kontaktieren Sie einen autorisierten Clarke-Händler.
Sicherung/Schalter springt wiederholt heraus.	Niederspannung. Wackelkontakt. Defekter Motor.	Entfernen Sie das Verlängerungskabel. Legen Sie die Stromquelle näher an den Arbeitsbereich. Lassen Sie die Spannung durch einen Fachtechniker überprüfen. Kontaktieren Sie einen autorisierten Clarke-Händler. Kontaktieren Sie einen autorisierten Clarke-Händler.

Schliffe und Schleifpapier

Vorschliffe

Zweck des Vorschliffs ist es, die alte Oberfläche und grobe Unregelmäßigkeiten der Bodenoberfläche zu entfernen. Verwenden sie grobes (Körnung 20-36) Schleifmaterial.

Endschliffe

Der Zweck eines Endschliffs ist es, die durch den Vorschliff entstandenen Kratzer zu entfernen. Verwenden Sie feines (Körnung 60-80) Schleifmaterial.

Bleibt die Oberfläche nach einem Endschliff rau, kann es notwendig sein, Schleifmaterial noch feinerer Körnung (80-100) zu verwenden. Die Körnung des Schleifmaterials sollte sorgfältig ausgewählt werden. Eine sehr feine Körnung schließt die Poren und macht den Farbeinlaß schwierig.

Treten glatte oder verbrannte Stellen auf, ist das Schleifmaterial stumpf geworden und muß ersetzt werden.

LEA ESTE MANUAL

Este manual contiene información importante acerca del uso y la seguridad de la máquina. Si no lee el manual antes de utilizar su máquina Clarke American Sanders o de intentar realizar los procedimientos de reparación o mantenimiento de la misma, usted o el resto del personal podrían sufrir lesiones; asimismo, podrían producirse daños a la máquina o a otras propiedades. Antes de utilizar la máquina, es necesario recibir la capacitación adecuada en la operación de la misma. Si el operador de la máquina no sabe leer en español, explíquelo el manual exhaustivamente antes de que intente utilizarla.

Todas las indicaciones incluidas en este manual se ofrecen desde la posición del operador en la parte posterior de la máquina.

Índice del manual

Instrucciones de seguridad para el operador 19
 Introducción y especificaciones de la máquina 20
 Transporte de la máquina..... 20
 Instalación de la máquina..... 21
 Instrucciones de funcionamiento 23
 Resolución de problemas 24
 Cortes de lija y papel de lija..... 25

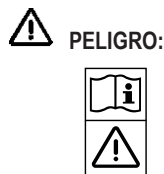
Sección II Repuestos y manual de servicio 52-58

⚠ ADVERTENCIA:

Los Productos a la venta en este Manual contienen, o pueden contener, productos químicos reconocidos por algunos gobiernos (como el Estado de California, según lo indica en su Proposición 65, Ley de Advertencia Regulatoria) como causantes de cáncer, defectos de nacimiento u otros daños reproductivos. En algunas jurisdicciones (incluido el Estado de California), los compradores de estos Productos que los coloquen en servicio en un emplazamiento laboral o en un espacio de acceso público tienen la obligación regulatoria de realizar determinados avisos, advertencias o divulgaciones respecto de los productos químicos contenidos o posiblemente contenidos en los Productos utilizados en tal lugar. Es la responsabilidad del comprador conocer y cumplir con todas las leyes y reglamentaciones relacionadas con el uso de estos Productos en tales entornos. El Fabricante niega toda responsabilidad de informar a los compradores sobre requisitos específicos que pueden regir el uso de los Productos en tales entornos.

INSTRUCCIONES DE SEGURIDAD PARA EL OPERADOR

PELIGRO significa:	Usted u otras personas pueden estar expuestos a sufrir lesiones personales, inclusive la muerte si las indicaciones de PELIGRO que se encuentran en esta máquina o en el manual de instrucciones se ignoran o no se tienen en cuenta. Lea y respete todas las indicaciones de PELIGRO que se encuentran en el manual de instrucciones y en la máquina.
ADVERTENCIA significa:	Usted u otras personas pueden estar expuestos a sufrir lesiones personales, si las indicaciones de ADVERTENCIA que se encuentran en esta máquina o en el manual de instrucciones se ignoran o no se tienen en cuenta. Lea y respete todas las indicaciones de ADVERTENCIA que se encuentran en el manual de instrucciones y en la máquina.
PRECAUCIÓN significa:	La máquina u otros bienes pueden sufrir daños materiales si las indicaciones de PRECAUCIÓN que se encuentran en la máquina o en el manual de instrucciones se ignoran o no se tienen en cuenta. Lea y respete todas las indicaciones de PRECAUCIÓN que se encuentran en el manual de instrucciones y en la máquina.



PELIGRO:

Si no lee el manual de instrucciones antes de operar, reparar o realizar el mantenimiento de su máquina Clarke American Sanders, el resultado puede ser que usted o el resto del personal sufra lesiones. Asimismo, pueden producirse daños a la máquina o a otras propiedades. Antes de utilizar la máquina, es necesario recibir la capacitación adecuada en la operación de la misma. **Si usted o el operador no saben leer en inglés, haga que otra persona les explique el manual exhaustivamente antes de intentar utilizar la máquina.**



PELIGRO:

- El lijado/acabado de pisos de madera puede crear un entorno explosivo. No utilice la máquina cerca de solventes, diluyentes, alcohol, combustibles, acabados de pisos, polvo de madera u otros materiales inflamables. Los encendedores, las lámparas indicadoras, las chispas eléctricas y cualquier otra fuente de ignición deben extinguirse o evitarse. Mantenga el área de trabajo bien ventilada.
- El polvo que se genera al lijar pisos de madera puede encenderse o explotar espontáneamente. Elimine rápidamente el polvo de lijado en un recipiente de metal que no contenga ningún combustible. No arroje el polvo al fuego.



PELIGRO:

- Puede producirse una electrocución si se repara o se realiza el mantenimiento de la máquina mientras se encuentra conectada a una fuente de alimentación. Desconecte la fuente de alimentación antes de realizar tareas de mantenimiento y reparación.
- Si la máquina se utiliza con un cable de alimentación dañado podría producirse una electrocución o un incendio. Mantenga el cable de alimentación separado de la almohadilla. Pase siempre el cable por encima de la máquina. No utilice el cable de alimentación para mover la máquina.
- Riesgo de descargas: No utilice la máquina si ha estado expuesta a la lluvia o ha sido rociada con agua.



PELIGRO:

Mantenga las manos, los pies y la vestimenta suelta alejados de todas las partes móviles de la máquina para evitar lesiones. Desconecte el cable de alimentación antes de reemplazar la almohadilla, cambiar el abrasivo y realizar mantenimiento o reparaciones. No utilice la máquina a no ser que todas sus protecciones estén en su lugar. Nunca deje la máquina sin vigilancia mientras está conectada a una fuente de alimentación.



ADVERTENCIA:

Si no se utilizan los dispositivos de protección personal correctos mientras se realiza el lijado, el operador o cualquier persona en el área de trabajo pueden sufrir lesiones. Utilice siempre protección respiratoria, ocular y auditiva mientras realice una operación de lijado.



ADVERTENCIA:

La pulidora no debe utilizarse sobre madera tratada a presión. Algunas maderas tratadas a presión contienen arsénico y si se pule madera tratada a presión produce un polvo nocivo. La inhalación de polvo nocivo de madera tratada a presión puede causar lesiones serias o la muerte. Pulir plataformas o superficies irregulares de madera tratada a presión puede dañar la Pulidora ques no está cubierto por la garantía ni por is Renuncia de Daños.



ADVERTENCIA:

Cualquier alteración o modificación realizada a esta máquina puede producir daños a la misma o lesiones al operador o a otras personas que se encuentren en el lugar. Las alteraciones o modificaciones no autorizadas por el fabricante anulan todas las garantías y responsabilidades.

Introducción y especificaciones de la máquina

La OBS-18 y la OBS-18DC pueden utilizarse en una gran variedad de superficies. Por ello, se trata de una herramienta ideal para mantenimiento de pisos de madera y trabajos de restauración. También es adecuada para la limpieza de superficies duras como baldosas o terrazo.

Model	OBS-18			OBS-18DC		
Número de código	07076B	07079B / 07116A / 07086B	07122A	07081B	07083B / 07115A / 07087B	07121A
Voltaje/frecuencia	115V/60Hz	230V/50Hz	115V/50Hz	115V/60Hz	230V/50Hz	115V/50Hz
Intensidad de corriente (A)	10	5	10.5	10	5	10.5
Motor	1 hp	0.75 kw	0.75 kw	1hp	0.75kw	0.75kw
Tamaño de la almohadilla	12» x 18»	305 x 457 mm	305 x 457 mm	12» x 18»	305 x 457mm	305 x 457mm
Giros por minuto	3600	3000	3000	3600	3000	3000
Diámetro de giro	1/4 inch	6.4 mm	6.4 mm	1/4 inch	6.4 mm	6.4 mm
Peso del envío	125 lbs.	57 kg.	57 kg.	125 lbs.	57 kg	57 kg
Ruido (dBA)	74	74	74	74	74	74
Vibración (m/s/s)	11.2	11.2	11.2	11.2	11.2	11.2

Transporte de la máquina

Para mover la máquina siga este procedimiento:

1. Desenchufe la máquina del tomacorriente de pared y enrolle el cable.
2. Eleve y bloquee la manija en posición vertical. Para trabar el mango, tire hacia arriba de la palanca de liberación de compresión del mango. Consulte la figura 1.
3. Tome la máquina por los puntos de izado y colóquela en el área de carga. Consulte la figura 2.

⚠ ADVERTENCIA: La máquina es pesada (125 lb/57kg). Para evitar daños a la misma o lesiones personales, sosténgala con firmeza y utilice la técnica de izado adecuada. De ser necesario, solicite ayuda.

4. Asegure la máquina para evitar movimientos en el área de carga.

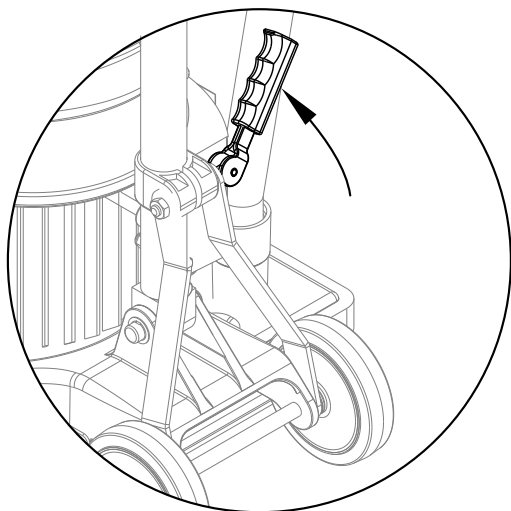


Figura 1

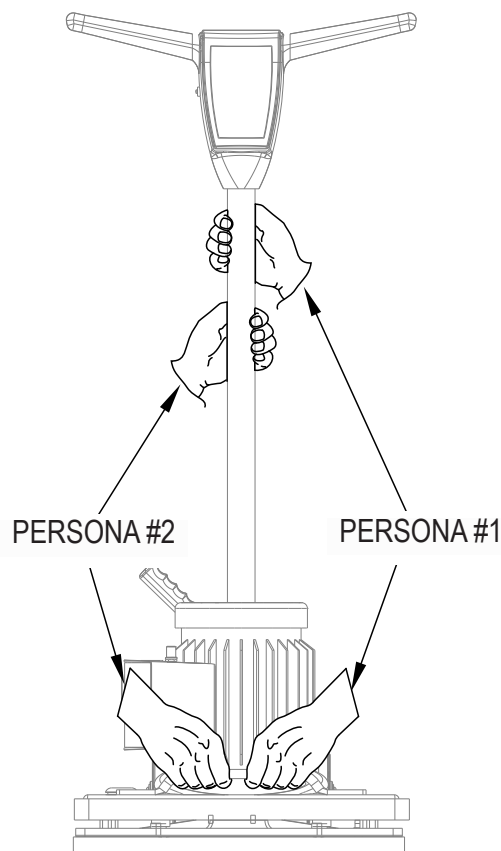


Figura 2

Instalación de la máquina

Si desea preparar la máquina para su uso, siga este procedimiento:

1. Familiarícese con la máquina. Lea todas las indicaciones de peligro, advertencia y precaución, así como el manual de instrucciones y piezas, antes de utilizar la máquina. Si usted o el operador de la máquina no pueden leer este manual, haga que otra persona se lo explique exhaustivamente antes de intentar utilizarla.
2. Instale o reemplace la almohadilla. Si la almohadilla se ha desgastado a un espesor de $3/8$ » o menos, debe ser reemplazada. Para instalar o reemplazar la almohadilla, siga estas instrucciones:
 - a.) Bloquee la manija en posición vertical.
 - b.) Incline la máquina hacia atrás hasta que esté completamente apoyada en la manija.
 - c.) Situándose sobre la máquina, retire la almohadilla existente y después centre la nueva almohadilla sobre el frente de agarre.
 - d.) Presione la almohadilla contra el frente de agarre hasta que los ganchos se fijen en la almohadilla. Consulte la figura 3.
 - e.) Vuelva a situar la máquina en posición vertical.



Figura 3

⚠ PRECAUCIÓN: El frente de agarre se daña si la máquina se opera sin una almohadilla o con una almohadilla cuyo grosor sea de $3/8$ » o menos.

⚠ ADVERTENCIA: Mientras sustituye la almohadilla o cambia el abrasivo, nunca se sitúe usted mismo (ni deje que otras personas lo hagan) en una posición en la que pueda lesionarse si la máquina se inclina o cae.

Instalación de la máquina

Esta lijadora está diseñada para utilizarse con un sistema colector de polvo remoto mediante vacío o con la bolsa de polvo incluida.

Preparación de los sistemas colectores de polvo remotos mediante vacío

Si desea preparar la máquina para sistemas colectores de polvo remotos mediante vacío que tengan un extremo de manguera de 2», siga este procedimiento:

1. Instale el extremo de manguera de 2» (figura 4, A) directamente sobre el tubo de escape (figura 4, B).
2. El tubo de escape puede girarse para mayor comodidad.

Si desea preparar la máquina para sistemas colectores de polvo remotos mediante vacío que tengan un extremo de manguera de 1 ½», siga este procedimiento:

1. Instale el adaptador del extremo de manguera de 2» x 1 ½» (Nº de pieza 30563A) (figura 4, C) sobre el tubo de escape (figura 4, B).
2. Inserte el extremo de manguera de 1 ½» (figura 4, D) en el adaptador (figura 4, C).

NOTA: Ponga en marche el sistema colector remoto mediante vacío antes de encender la máquina.

Preparación para usar la bolsa de polvo incluida

Si desea preparar la máquina para su uso con la bolsa de polvo incluida (Nº de pieza 53741A), siga este procedimiento.

1. Instale la bolsa de recolección de polvo presionando el extremo del tubo de escape hasta que el anillo encaje dentro de la ranura (figura 5). El mejor modo de hacer esto es presionando la parte posterior de la abertura de la bolsa con la palma de su mano.
2. El tubo de escape puede girarse para mayor comodidad.
3. Para retirar la bolsa de polvo del tubo de escape, haga palanca hacia arriba en el extremo de la abertura de la bolsa para liberar parcialmente el saliente interno de la ranura, y después tire.
4. Para vaciar la bolsa de polvo, abra la aleta de vaciado y saque sus contenidos dando la vuelta a la bolsa.

NOTA: Para lograr los mejores resultados, vacíe frecuentemente. Siga todas las advertencias incluidas en el manual y en la bolsa de polvo.

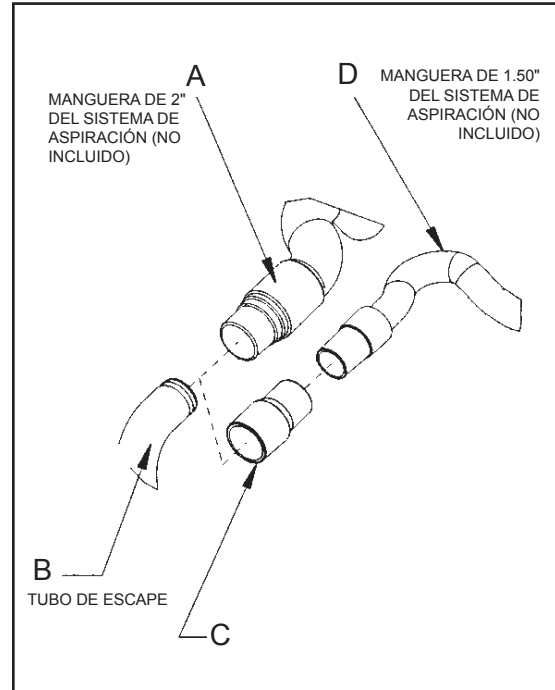


Figura 4

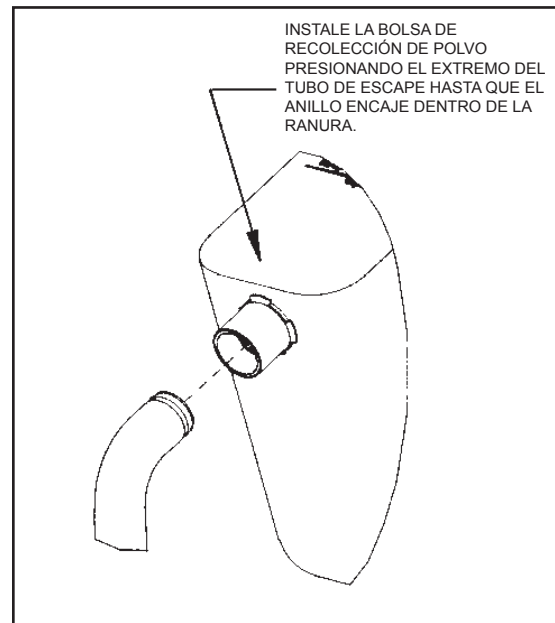


Figura 5

Instrucciones de funcionamiento - Lijado

Para operar la máquina como una lijadora, siga este procedimiento:

1. Desplace la máquina al lugar de trabajo. Seleccione el mejor método para lijar el área deseada. Mientras lija dicha área, trabaje de manera tal que usted se aleje de la fuente de alimentación. Esto ayudará a evitar que el cable de alimentación se enrede y reduce la necesidad de mover dicho cable con tanta frecuencia.
2. Instale el abrasivo. Para instalar el abrasivo, utilice el mismo procedimiento descrito en INSTALACIÓN DE LA MÁQUINA para la instalación de la almohadilla. Retire la película de la parte posterior del abrasivo, centre el mismo sobre la almohadilla y presiónelo contra ésta. El adhesivo del abrasivo lo sostendrá en la almohadilla.

NOTA: Si utiliza abrasivo de tela metálica, sitúe la tela metálica sobre el suelo y a continuación desplace la máquina sobre la misma. Baje la máquina hasta que la almohadilla se apoye sobre la tela metálica. Asegúrese de que la tela metálica esté centrada en la almohadilla.

⚠ ADVERTENCIA: Puede producirse una lesión si se instalan la almohadilla o el abrasivo mientras la máquina se encuentra conectada a una fuente de alimentación. Desconecte la máquina antes de instalar la almohadilla o el abrasivo.

3. Conecte la máquina a un circuito adecuadamente provisto de fusibles y conectado a tierra.
4. Suelte la manija presionando la palanca de bloqueo. Sitúe la manija en una posición cómoda.

⚠ PRECAUCIÓN: no bloquee la manija. Si se bloquea la manija, la máquina no podrá reposar de forma uniforme en la almohadilla y disminuirán el rendimiento de la máquina y su fiabilidad.

5. Pulse el botón de interbloqueo (1) y aplique presión a las palancas (2). Para detener la máquina, suelte las palancas (2). Consulte la figura 6.

⚠ PRECAUCIÓN: para evitar daños al piso y reducir los remolinos, mantenga la máquina en movimiento mientras el motor esté funcionando.

NOTA: para cortes de lija y papel de lija consulte la página 25.

Instrucciones de funcionamiento - Pulido

Para operar la máquina como una pulidora siga este procedimiento:

⚠ ADVERTENCIA: puede producirse una lesión si se instalan la almohadilla o el abrasivo mientras la máquina se encuentra conectada a una fuente de alimentación. Desconecte la máquina antes de instalar la almohadilla o el abrasivo.

1. Conecte la máquina a un circuito adecuadamente provisto de fusibles y conectado a tierra.
2. Suelte la manija presionando la palanca de bloqueo. Sitúe la manija en una posición cómoda.

⚠ PRECAUCIÓN: No bloquee la manija. Si se bloquea la manija, la máquina no podrá reposar de forma uniforme en la almohadilla y disminuirá el rendimiento de la máquina y su fiabilidad.

3. Pulse el botón de interbloqueo (1) y aplique presión a las palancas (2). Para detener la máquina, suelte las palancas (2). Consulte la figura 6.

⚠ PRECAUCIÓN: Para evitar dañar el suelo y reducir los remolinos, mantenga la máquina en movimiento mientras el motor esté en funcionamiento.

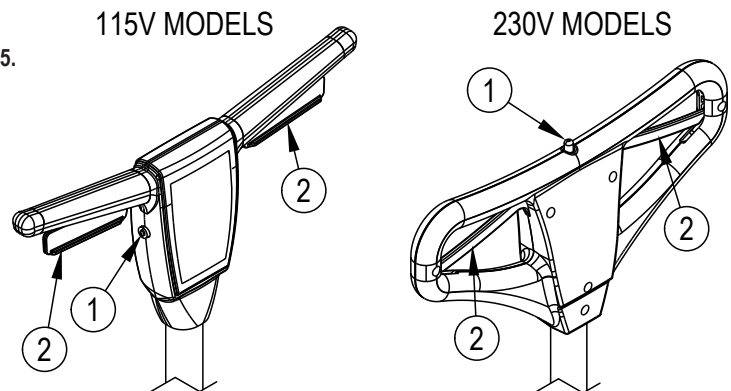


Figura 6

Resolución de problemas

Problema	Causa	Acción
El motor no arranca.	<p>No hay potencia.</p> <p>El interbloqueo no está presionado.</p> <p>Interruptor defectuoso / mala conexión</p>	<p>Inspeccione la fuente de alimentación y la conexión</p> <p>Presione el interbloqueo antes de activar la palanca de control.</p> <p>Póngase en contacto con un distribuidor autorizado de American Sanders Technology.</p>
El motor no arranca / funciona	<p>Tensión baja debido a cable demasiado largo</p> <p>El capacitor de arranque es defectuoso.</p> <p>El interruptor de arranque es defectuoso.</p> <p>Capacitor de arranque/funcionamiento defectuoso</p> <p>Baja tensión del motor defectuosa</p>	<p>Use un alargador de calibre 14, que no sea lento. o demasiado corto. supere los 50' de longitud.</p> <p>Póngase en contacto con un distribuidor autorizado de American Sanders Technology.</p> <p>Póngase en contacto con un distribuidor autorizado de American Sanders Technology.</p> <p>Póngase en contacto con un distribuidor autorizado de American Sanders Technology.</p> <p>Póngase en contacto con un distribuidor autorizado de American Sanders Technology.</p>
El fusible / disyuntor se disparan repetidas veces.	<p>Baja tensión.</p> <p>Conexión defectuosa.</p> <p>El motor es defectuoso.</p>	<p>Retire el alargador. Localice la fuente eléctrica más cercana al lugar de trabajo. Haga que la tensión sea inspeccionada por un electricista calificado.</p> <p>Póngase en contacto con un distribuidor autorizado de American Sanders Technology.</p> <p>Póngase en contacto con un distribuidor autorizado de American Sanders Technology.</p>

Cortes de lija y papel de lija

Corte inicial

El propósito del corte inicial es sacar el acabado viejo y las imperfecciones mayores de la superficie del piso. Se debe usar un abrasivo grueso (20-36 granos).

Cortes finales

El propósito de un corte de acabado es eliminar los rayones producidos durante el corte inicial. Utilice un abrasivo de grano fino (60-80 granos) .

Si la superficie permanece áspera después de un corte de acabado, puede ser necesario utilizar un abrasivo de grano aún más fino (80 - 100 granos). Se deberá tener cuidado al seleccionar el tamaño del grano del abrasivo. Un grano muy fino cerrará los poros sobre el piso de madera dando lugar a problema de manchas.

Si un corte de acabado apareciera inmediatamente glaseado o quemado, aumente el ritmo. Si esto ocurriera durante un corte final, significa que el abrasivo se ha desafilado y deberá cambiarse.

LISEZ CE MANUEL




Ce Manuel contient des informations importantes concernant l'utilisation et le fonctionnement de cette machine dans des conditions de sécurité optimales. La non-lecture de ce manuel avant d'utiliser ou d'entretenir votre machine Clarke American Sanders risque de provoquer un accident ou d'endommager la machine ou son environnement. Vous devez avoir été formé à l'utilisation de cette machine avant de l'utiliser. Si l'opérateur n'est pas en mesure de lire ce Manuel, il devra se le faire expliquer entièrement avant de tenter d'utiliser cette machine.


Toutes les directions données dans ce Manuel le sont par rapport à la position de l'opérateur, à l'arrière de la machine.

Contenu de ce manuel

Consignes de sécurité	27
Introduction et spécifications de l'appareil.....	28
Transport de l'appareil.....	28
Préparation de l'appareil.....	30
Utilisation de l'appareil.....	31
Dépannage.....	32
Ponçage et papier abrasif.....	33
Section II, manuel de réparation et schémas de pièces	52-58

CONSIGNES DE SÉCURITÉ

	DANGER signifie:	Si une consigne DANGER figurant dans ce manuel d'utilisation ou sur l'appareil n'est pas respectée ou suivie, des blessures graves, voire mortelles, peuvent vous arriver ainsi qu'à d'autres personnes. Lisez et observez toutes les consignes DANGER apparaissant sur l'appareil ou dans votre manuel d'utilisation.
	AVERTISSEMENT signifie:	Si une consigne AVERTISSEMENT figurant dans ce manuel d'utilisation ou sur l'appareil n'est pas respectée ou suivie, des blessures peuvent vous arriver ainsi qu'à d'autres personnes. Lisez et observez toutes les consignes AVERTISSEMENT apparaissant sur l'appareil ou dans votre manuel d'utilisation.
	ATTENTION signifie:	Si une consigne ATTENTION figurant dans ce manuel d'utilisation ou sur l'appareil n'est pas respectée ou suivie, vous risquez d'endommager l'appareil et de causer divers dommages matériels. Lisez et observez toutes les consignes ATTENTION apparaissant sur l'appareil ou dans votre manuel d'utilisation.

-  **DANGER:** Si vous ne lisez pas le manuel d'utilisation avant d'utiliser ou réparer votre appareil Clarke, vous risquez de vous blesser ainsi que d'autres personnes. Vous risquez également d'endommager l'appareil et de causer divers dommages matériels. Avant d'utiliser cet appareil, vous devez avoir reçu une formation sur son utilisation. **Si un utilisateur est incapable de lire ce manuel, il doit en demander une explication complète avant d'utiliser l'appareil.**
-  **DANGER:**
- Le ponçage des parquets de bois peut créer un environnement explosif ou combustible. Ne pas utiliser cet appareil à proximité de solvants, de diluants, d'alcool, de carburant, de poussière de bois ou d'autres matériaux inflammables. Les vapeurs et la poussière de bois produites par le ponçage des parquets peuvent créer un environnement explosif. Les briquets, les témoins lumineux, les étincelles électriques et toutes les autres sources d'allumage doivent être éteints. Garder la zone de travail bien aérée.
 - La poussière produite par le ponçage d'un parquet de bois peut exploser ou s'enflammer soudainement. Jeter sans délai toute la poussière de ponçage dans un récipient métallique ne contenant aucun combustible. Ne pas jeter au feu.
-  **DANGER:**
- Une électrocution peut survenir si l'appareil est réparé alors qu'il est raccordé à une source d'alimentation électrique. Déconnecter l'alimentation électrique avant toute réparation.
 - Une électrocution ou incendie peuvent survenir si l'appareil est utilisé avec un cordon d'alimentation électrique endommagé. Le cordon d'alimentation doit demeurer à bonne distance du patin de ponçage. Le cordon doit toujours être soulevé au-dessus de l'appareil. Ne jamais tirer l'appareil par le cordon d'alimentation.
 - Risque d'électrocution. Ne pas utiliser l'appareil s'il a été exposé à la pluie ou arrosé avec de l'eau.
-  **DANGER:** Pour éviter les blessures, il faut toujours garder les mains, les pieds et les vêtements amples à bonne distance des pièces mobiles de l'appareil. Le cordon d'alimentation doit être débranché avant de remplacer le patin de ponçage ou le papier abrasif, ainsi qu'avant toute réparation. Ne pas utiliser l'appareil si toutes les protections ne sont pas en place. Ne jamais laisser l'appareil sans surveillance lorsqu'il est branché à une alimentation électrique.
-  **AVERTISSEMENT:** L'opérateur, ou toute personne à proximité, doit porter une tenue de protection en cours de ponçage pour prévenir les blessures. Utilisez toujours une protection oculaire et auditive ainsi qu'un appareil respiratoire lors de tout ponçage/sablage.
-  **AVERTISSEMENT:** La ponceuse ne doit pas être utilisée sur du bois traité sous pression. Certains bois traités sous pression contiennent de l'arsenic, le ponçage du bois traité sous pression produit des poussières dangereuses. L'inhalation de poussières dangereuse produite par du bois traité sous pression risque d'entraîner la mort ou de graves blessures. La ponçage de bois traité sous pression ou de surfaces irrégulières risque d'endommager la ponceuse qui n'est pas converti ni par la garantie ni par les Exonérations de Dommages.
-  **AVERTISSEMENT:** Toute modification apportée à cet appareil peut l'endommager et blesser l'opérateur ou des passants. Les modifications non autorisées par le fabricant annulent toutes les garanties et responsabilités.

Introduction et spécifications de l'appareil

Les appareils OBS-18 et OBS-18DC peuvent être utilisés sur une grande variété de surfaces. C'est un outil idéal pour l'entretien et la remise à neuf des parquets. Il permet également de nettoyer diverses surfaces dures, comme le carrelage en céramique et le granito.

Modèle	OBS-18			OBS-18DC		
Numéro de code	07076B	07079B / 07116A / 07086B	07122A	07081B	07083B / 07115A / 07087B	07121A
Tension/fréquence	115V/60Hz	230V/50Hz	115V/50Hz	115V/60Hz	230V/50Hz	115V/50Hz
Intensité (A)	10	5	10.5	10	5	10.5
Moteur	1 hp	0.75 kw	0.75 kw	1hp	0.75kw	0.75kw
Dimensions du patin	12» x 18»	305 x 457 mm	305 x 457 mm	12» x 18»	305 x 457mm	305 x 457mm
Orbites par minute	3600	3000	3000	3600	3000	3000
Diamètre des orbites	1/4 inch	6.4 mm	6.4 mm	1/4 inch	6.4 mm	6.4 mm
Poids à l'expédition	125 lbs.	57 kg.	57 kg.	125 lbs.	57 kg	57 kg
Bruit (dBA)	74	74	74	74	74	74
Vibrations (m/s/s)	11.2	11.2	11.2	11.2	11.2	11.2

Transport de l'appareil

Pour transporter l'appareil, exécutez les opérations suivantes:

1. Débranchez la fiche de branchement électrique de l'appareil, puis enroulez le cordon d'alimentation.
2. Relevez le manche de l'appareil et bloquez-le en position droite. Pour bloquer le manche, tirez le levier de blocage par compression du manche vers le haut (voir la figure 1).
3. Saisissez l'appareil aux points de levage et placez-le dans le compartiment de transport (voir la figure 2).

⚠ AVERTISSEMENT: L'appareil est lourd (125 livres/57 kg). Pour éviter de vous blesser et d'endommager l'appareil, utilisez une prise solide et une bonne technique de levage. Demandez de l'aide si nécessaire.

4. Attachez l'appareil pour éviter qu'il ne bouge sur le véhicule de transport.

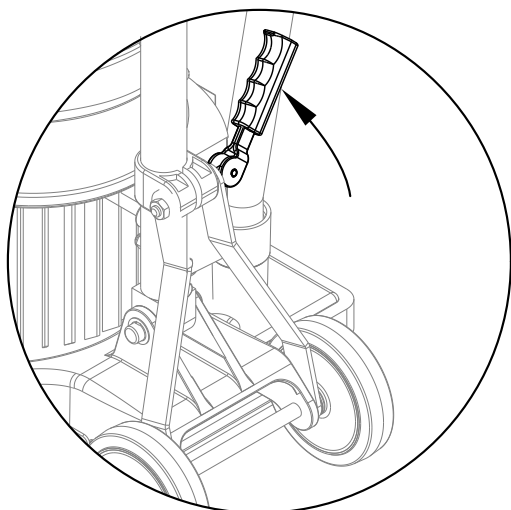


Figure 1

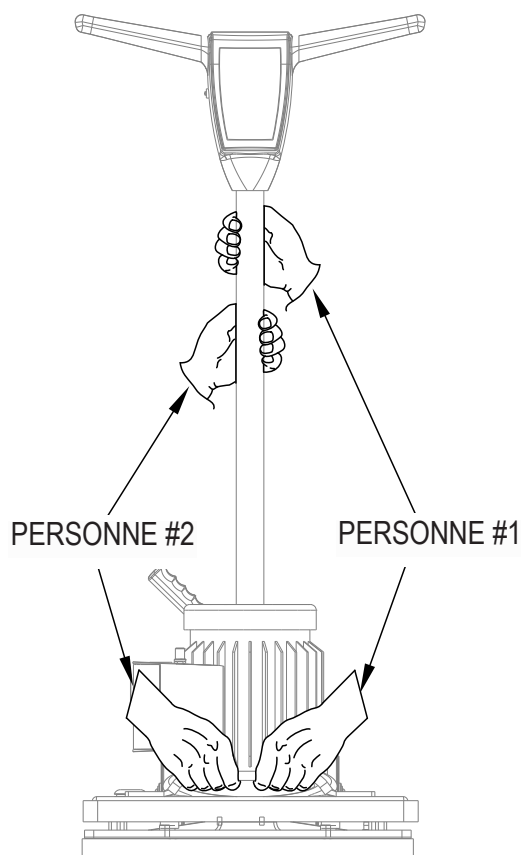


Figure 2

Préparation de l'appareil

Pour préparer l'appareil avant une utilisation, exécutez les opérations suivantes :

1. Familiarisez-vous avec l'appareil. Avant toute utilisation de l'appareil, lisez les avertissements, les consignes de sécurité et le manuel d'utilisation. Si un utilisateur est incapable de lire ce manuel, il doit en demander une explication complète avant d'utiliser l'appareil.
2. Installez ou remplacez le patin de ponçage. Il doit être remplacé s'il est usé jusqu'à une épaisseur égale ou inférieure à 3/8 po. Pour installer ou remplacer le patin de ponçage, exécutez les opérations suivantes :
 - a.) Verrouillez le manche en position redressée.
 - b.) Inclinez l'appareil vers l'arrière jusqu'à ce qu'il repose complètement sur les poignées.
 - c.) En vous tenant au-dessus de l'appareil, enlevez le vieux patin de ponçage et centrez un nouveau patin sur le plateau de ponçage auto-agrippant.
 - d.) Appuyez le patin contre le plateau de ponçage auto-agrippant jusqu'à ce que les crochets de le plateau de ponçage auto-agrippant aient accrochés le patin (voir la figure 3).
 - e.) Redressez l'appareil.



Figure 3

⚠ ATTENTION: Le plateau de ponçage auto-agrippant sera endommagée si l'appareil est utilisé sans patin de ponçage ou avec un patin d'une épaisseur égale ou inférieure à 3/8 po.

⚠ AVERTISSEMENT: Lorsque vous remplacez le patin de ponçage ou le papier abrasif, ne vous placez pas et ne laissez pas d'autres personnes se placer dans une position pouvant provoquer une blessure si l'appareil venait à basculer ou se renverser.

Préparation de l'appareil

Cette ponceuse est conçue pour fonctionner équipée d'un système à distance de collecte des poussières par le vide, ou du sac à poussières fourni.

Préparation des systèmes à distance de collecte des poussières par le vide

Pour préparer la machine à l'utilisation d'un système à distance de collecte des poussières par le vide ayant une extrémité de tuyau de 5 cm, procéder comme suit:

1. Monter l'extrémité de tuyau de 5 cm (figure 4, A) directement sur le tuyau d'évacuation (figure 4, B).
2. Il est possible de tourner le tuyau d'évacuation pour plus de commodité.

Pour préparer la machine à l'utilisation d'un système à distance de collecte des poussières par le vide ayant une extrémité de tuyau de 3,80 cm, procéder comme suit:

1. Monter l'adaptateur d'extrémité de tuyau (5 x 3,8 cm- Pièce n° 30563A) (figure 4, C) sur le tuyau d'évacuation (figure 4, B).
2. Introduire l'extrémité de tuyau de 3,80 cm (figure 4, D) dans l'adaptateur (figure 4, C).

NOTE: Faire démarrer le système à distance de collecte par le vide avant de travailler.

Préparation pour utilisation du sac à poussières fourni

Pour préparer la machine à l'utilisation du sac à poussières fourni (Pièce n° 53741A), procéder comme suit:

1. Installez le sac à poussières en appuyant son extrémité sur le tuyau d'évacuation jusqu'à ce que l'anneau se verrouille dans la rainure (figure 5). On y parvient plus facilement en appuyant sur l'arrière de l'ouverture du sac avec la paume de la main.
2. Il est possible de tourner le tuyau d'évacuation pour plus de commodité.
3. Pour retirer le sac à poussières du tuyau d'évacuation, soulever l'extrémité de l'ouverture du sac pour partiellement dégager la nervure interne de la rainure, puis tirer.
4. Pour vider le sac à poussières, ouvrir la fermeture éclair de la trappe d'évacuation des déchets et expulser le contenu en retournant le sac.

NOTE: Pour obtenir les meilleurs résultats, vider fréquemment le sac. Respecter toutes les mises en garde indiquées dans le présent manuel et sur le sac à poussières.

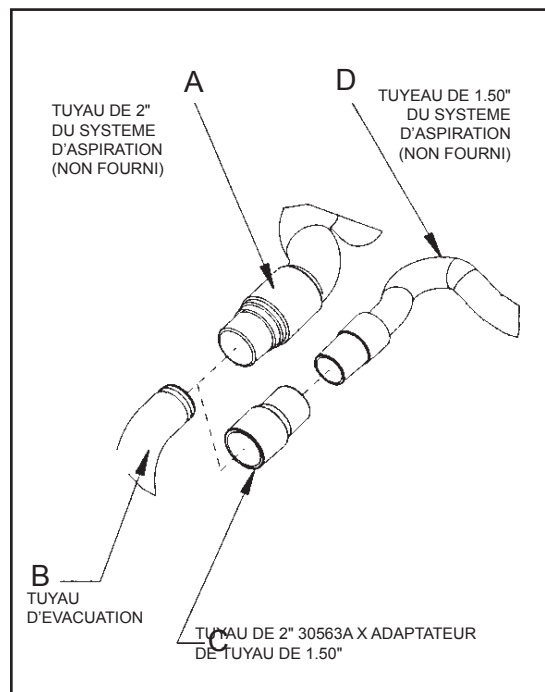


Figure 4

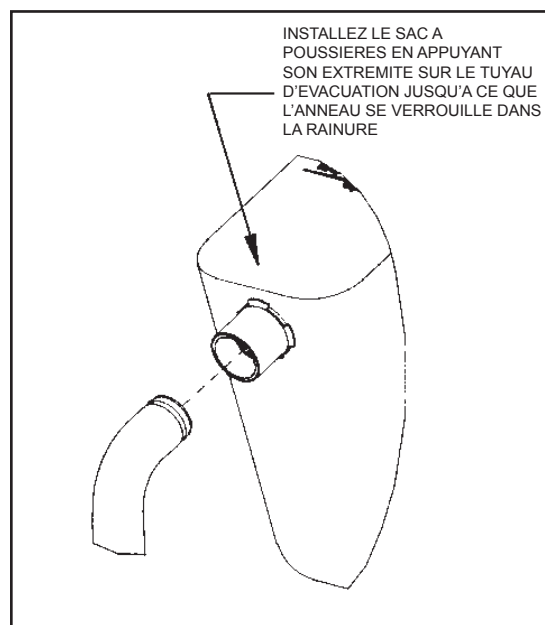


Figure 5

Utilisation de l'appareil – Ponçage

Pour poncer avec l'appareil, exécutez les opérations suivantes:

1. Déplacez l'appareil jusqu'au site de ponçage. Choisissez la meilleure approche pour poncer la zone à traiter. Lorsque vous poncez une zone, déplacez-vous de façon à vous éloigner de la prise électrique. Vous réduirez ainsi les risques d'emmêler le cordon et vous serez moins souvent contraint de déplacer le cordon.
2. Installez le papier abrasif. Pour ce faire, utilisez la procédure d'installation du patin de ponçage décrite sous PRÉPARATION DE L'APPAREIL. Décollez la pellicule protectrice derrière le papier abrasif, centrez le papier sur le patin de ponçage et appuyez sur le papier pour le coller au patin. L'adhésif se trouvant sur le papier suffit pour le retenir sur le patin.

REMARQUE: Lorsque vous utilisez un abrasif grillagé, posez le grillage sur le sol, puis placez l'appareil au-dessus du grillage. Abaissez l'appareil jusqu'à ce que le patin de ponçage repose sur le grillage. Assurez-vous que le grillage est centré sur le patin.

AVERTISSEMENT: Des blessures peuvent survenir si l'appareil est raccordé à une source d'alimentation électrique pendant que vous installez un patin de ponçage ou un papier abrasif. Débranchez l'appareil avant toute installation d'un patin ou d'un papier abrasif.

3. Connectez l'appareil à un circuit électrique adéquatement mis à la terre et protégé par un fusible ou un disjoncteur.
4. Débloquez le manche en relevant le levier de verrouillage. Descendez le manche jusqu'à une hauteur confortable.

ATTENTION: Ne pas verrouiller le manche de l'appareil. Verrouiller la manche empêchera l'appareil de reposer également sur le coussin et diminue l'exécution de machine.

5. Pousser sur le bouton de verrouillage (1) et appliquer une pression des mains sur les leviers (2). Pour arrêter l'appareil, relâchez les leviers (Voir fig. 5).

ATTENTION: Pour éviter d'endommager les parquets et pour réduire le tourbillonnement, gardez l'appareil en mouvement lorsque le moteur fonctionne.

REMARQUE: Pour avoir des conseils sur le ponçage et le papier abrasif, voir en page 33.

Utilisation de l'appareil – Polissage

Pour polir avec l'appareil, exécutez les opérations suivantes:

AVERTISSEMENT: Des blessures peuvent survenir si l'appareil est raccordé à une source d'alimentation électrique pendant que vous installez un patin de ponçage ou un papier abrasif. Débranchez l'appareil avant toute installation d'un patin ou d'un papier abrasif.

1. Connectez l'appareil à un circuit électrique adéquatement mis à la terre et protégé par un fusible ou un disjoncteur.
2. Débloquez le manche en relevant le levier de verrouillage. Descendez le manche jusqu'à une hauteur confortable.

ATTENTION: Ne pas verrouiller le manche de l'appareil. Verrouiller la manche empêchera l'appareil de reposer également sur le coussin et diminue l'exécution de machine.

3. Pousser sur le bouton de verrouillage (1) et appliquer une pression des mains sur les leviers (2). Pour arrêter l'appareil, relâchez les leviers (Voir fig. 4).

ATTENTION: Pour éviter d'endommager les parquets et pour réduire le tourbillonnement, gardez l'appareil en mouvement lorsque le moteur fonctionne.

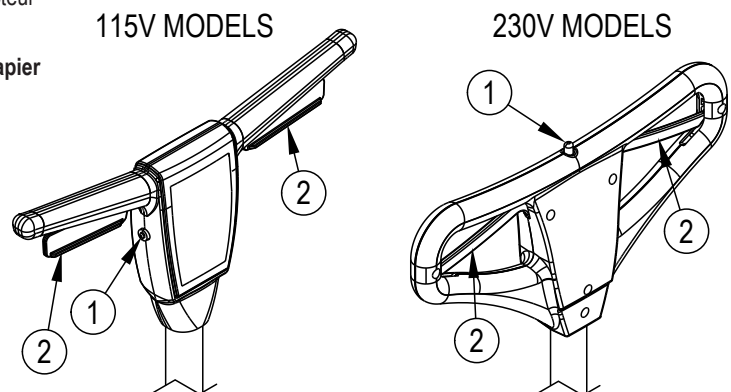


Figure 6

Dépannage

Problème	Cause	Solution
Le moteur ne démarre pas.	Aucune alimentation électrique. Le verrou n'est pas enfoncé. Interrupteur défectueux, mauvaise connexion.	Vérifiez l'alimentation électrique et les connexions. Enfoncez le verrou avant d'actionner la manette de commande. Contactez un détaillant Clarke agréé.
Le moteur démarre mal ou fonctionne trop lentement.	Tension faible à cause d'une rallonge trop longue ou trop fine. Défectuosité du condensateur de démarrage. Défectuosité du démarreur. Défectuosité du condensateur de démarrage/fonctionnement. Problème de tension faible dans le moteur.	Utilisez une rallonge électrique de grosseur 14 ne dépassant pas 50 pieds. Contactez un détaillant Clarke agréé. Contactez un détaillant Clarke agréé. Contactez un détaillant Clarke agréé.
Le fusible ou le disjoncteur saute très souvent.	Tension trop faible. Mauvaise connexion. Moteur défectueux.	Éliminez la rallonge électrique. Trouvez une source d'alimentation électrique plus proche du site. Faites vérifier la tension électrique par un électricien. Contactez un détaillant Clarke agréé. Contactez un détaillant Clarke agréé.

Ponçage et papier abrasif

Premier passage

Le but du premier passage est d'enlever l'ancienne finition et les plus grosses imperfections. Utilisez un papier abrasif à gros grains (20-36 grains).

Passages finaux

Le but d'un passage final est d'enlever les rayures produites durant le premier passage. Utilisez un papier abrasif à petits grains (60-80 grains).

Si la surface demeure rugueuse après un passage final, il pourrait être nécessaire d'utiliser un papier abrasif à grains plus fins (80-100 grains). La grosseur des grains abrasifs doit être choisie avec soin. Un grain trop fin risque de refermer les pores du bois, nuisant ainsi à l'absorption ultérieure de la teinture.

Si vous détectez une vitrification ou des traces de brûlure, le papier abrasif s'est émoussé et doit être remplacé.

IMPORTANTE

Questo documento contiene istruzioni importanti per un uso sicuro della macchina. Leggere sempre questo manuale prima di usare o effettuare interventi di manutenzione sull'unità Clarke American Sanders per evitare di causare lesioni al personale e danni all'unità o ad altre attrezzature. La macchina deve essere utilizzata solo da personale debitamente qualificato. Se l'operatore non è in grado di comprendere l'inglese, sarà necessario spiegargli dettagliatamente il contenuto del manuale prima di autorizzarlo ad usare la macchina.

Tutte le istruzioni riportate in questo manuale devono essere interpretate guardando la macchina dal retro.

Sommario

Istruzioni per la sicurezza degli operatori	35
Introduzione e dati tecnici.....	36
Trasporto della macchina	36
Installazione della macchina.....	37
Istruzioni operative	39
Risoluzione dei problemi	40
Maschere per sabbiatura e carta abrasiva	41

SEZIONE II – Manuale delle parti di ricambio e per la manutenzione ..52-58

ISTRUZIONI DI SICUREZZA PER GLI OPERATORI

PERICOLO!	Il mancato rispetto delle indicazioni contrassegnate dal simbolo di PERICOLO , riportate sulle etichette affisse alla macchina o nel Manuale dell'utente, può comportare il rischio di lesioni gravi o mortali per sé stessi o altre persone. Leggere e osservare sempre tutte le indicazioni contrassegnate con il simbolo PERICOLO riportate nel Manuale dell'utente e sulle etichette affisse alla macchina.
AVVERTENZA!	Il mancato rispetto delle indicazioni contrassegnate dal simbolo di AVVERTENZA , riportate sulle etichette affisse alla macchina o nel Manuale dell'utente, può comportare il rischio di lesioni. Leggere e osservare sempre tutte le indicazioni contrassegnate con il simbolo AVVERTENZA riportate nel Manuale dell'utente e sulle etichette affisse alla macchina.
ATTENZIONE!	Il mancato rispetto delle indicazioni contrassegnate dal simbolo ATTENZIONE , riportate sulle etichette affisse alla macchina o nel Manuale dell'utente, può provocare danni alla macchina o ad altre attrezzature. Leggere e osservare tutte le indicazioni contrassegnate con il simbolo ATTENZIONE riportate nel Manuale dell'utente e sulle etichette affisse alla macchina.



PERICOLO!



Leggere sempre il Manuale dell'utente prima di usare o eseguire interventi di manutenzione sulla sabbiatrice, per evitare di provocare infortuni agli operatori o alle persone presenti o di danneggiare altre attrezzature. La macchina deve essere utilizzata solo da personale debitamente qualificato. **Se l'operatore non è in grado di leggere il manuale, sarà necessario spiegarli dettagliatamente il contenuto del manuale prima di autorizzarlo ad usare la macchina.**



PERICOLO!



- La sabbatura/finitura di pavimenti in legno può creare atmosfere a rischio di esplosioni o incendi. Non utilizzare la macchina in presenza di solventi, alcol, combustibili, prodotti per la finitura di pavimenti, segatura o altri materiali infiammabili. Evitare di utilizzare accendini, luci pilota, macchine che producono scariche elettriche e altri fonti di ignizione. Verificare sempre che l'area sia adeguatamente ventilata.
- La polvere prodotta dalla sabbatura di pavimenti in legno può essere potenzialmente infiammabile o esplosiva. Trasferire immediatamente la polvere di sabbatura in un contenitore di metallo e custodirlo lontano da fonti combustibili. Non incenerire la polvere.



PERICOLO!



- Evitare di effettuare operazioni di manutenzione sulla macchina mentre questa è in funzione per ridurre al minimo il rischio di scosse elettriche. Scollegare sempre la macchina dall'alimentazione prima di effettuare interventi di manutenzione.
- L'uso della macchina con un cavo di alimentazione difettoso può comportare il rischio di scosse elettriche o incendi. Fare attenzione a non schiacciare il cavo di alimentazione con il cuscinetto. Tenere sempre il cavo di alimentazione appoggiato sopra alla macchina. Non utilizzare il cavo di alimentazione per movimentare la macchina.
- Pericolo di scosse elettriche. Non utilizzare la macchina se è bagnata o è stata esposta alla pioggia.



PERICOLO!



Non avvicinare mani, piedi o indumenti larghi alle parti in movimento della macchina per evitare che rimangano impigliate provocando infortuni. Scollegare sempre la macchina dall'alimentazione prima di sostituire il cuscinetto e il disco abrasivo o prima di effettuare operazioni di manutenzione. Utilizzare la macchina solo se tutti i carter di protezione sono correttamente installati. Non allontanarsi mai dalla macchina se questa è accesa e collegata all'alimentazione.



AVVERTENZA!



Utilizzare sempre indumenti e attrezzature di protezione durante le operazioni di sabbatura per limitare al minimo il rischio di infortuni. Indossare sempre occhiali di sicurezza, indumenti di protezione e maschere di protezione dalla polvere durante le operazioni di sabbatura.



AVVERTENZA!



Non utilizzare la sabbatrice su superfici in legno lavorate a pressione. Alcuni tipi di superfici di questo tipo contengono arsenico e rilasciano polvere pericolosa durante le operazioni di sabbatura. L'inalazione di polvere pericolosa rilasciata da superfici in legno lavorate a pressione può provocare lesioni gravi o mortali. L'uso della sabbatrice su superfici in legno lavorate a pressione o irregolari può provocare danni non coperti dalla garanzia o rendere nulla la garanzia.



AVVERTENZA!

Modifiche non autorizzate apportate alla macchina possono provocare danni alla stessa o lesioni agli operatori o ad altre persone. Modifiche non autorizzate dal produttore possono rendere nulla la garanzia e le responsabilità del produttore stesso.

Introduzione e dati tecnici

Le unità OBS-18 o OBS-18DC possono essere usate su più tipi di superfici. Queste macchine sono la soluzione ideale per eseguire la manutenzione e la ristrutturazione di pavimenti in legno. Inoltre, possono essere usate anche per la pulizia di superfici in materiali rigidi, come piastrelle o rivestimenti Terrazzo.

Modello	OBS-18			OBS-18DC		
Codice prodotto	07076B	07079B / 07116A 07086B	07122A	07081B	07083B / 07115A / 07087B	07121A
Tensione/frequenza	115V/60Hz	230V/50Hz	115V/50Hz	115V/60Hz	230V/50Hz	115V/50Hz
Potenza (A)	10	5	10,5	10	5	10,5
Motore	0,75 kw	0,75 kw	0,75 kw	0,75 kw	0,75 kw	0,75 kw
Dimensioni cuscinetto	305 x 457mm	305 x 457mm	305 x 457mm	305 x 457mm	305 x 457 mm	305 x 457 mm
Giri al minuto	3600	3000	3000	3600	3000	3000
Diametro giri	6,4 mm	6,4 mm	6,4 mm	6,4 mm	6,4 mm	6,4 mm
Peso di trasporto	57 kg	57 kg	57 kg	57 kg	57 kg	57 kg
Rumore (dBA)	74	74	74	74	74	74
Vibrazioni (m/s/s)	11.2	11.2	11.2	11.2	11.2	11.2

Trasporto della macchina

Per trasportare la macchina:

1. Scollegare la macchina dalla presa a muro e avvolgere il cavo di alimentazione.
2. Sollevare e bloccare la maniglia in posizione verticale. Per bloccare l'impugnatura, tirare verso l'alto la leva di sgancio/compressione dell'impugnatura, come mostra la Figura 1.
3. Afferrare la macchina per i punti di presa e collocarla nel vano di carico del veicolo, come mostra la Figura 2.

⚠ AVVERTENZA!

La macchina è pesante (57 kg/125 libbre). Utilizzare sempre un punto di presa stabile e idonee attrezzature di sollevamento per limitare al minimo il rischio di lesioni o danni alla macchina. Se necessario, richiedere assistenza.

4. Bloccare la macchina per evitare che possa spostarsi all'interno del vano di carico.

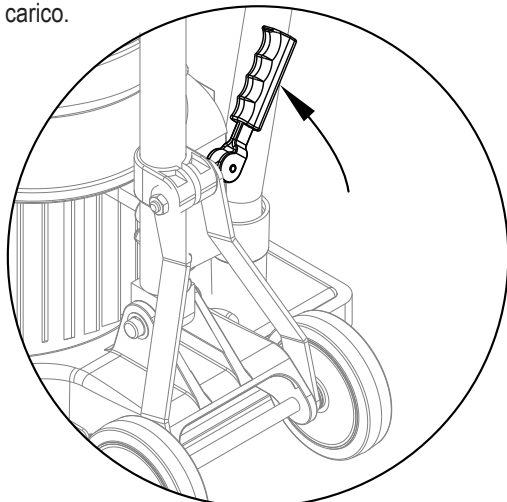


Figura 1

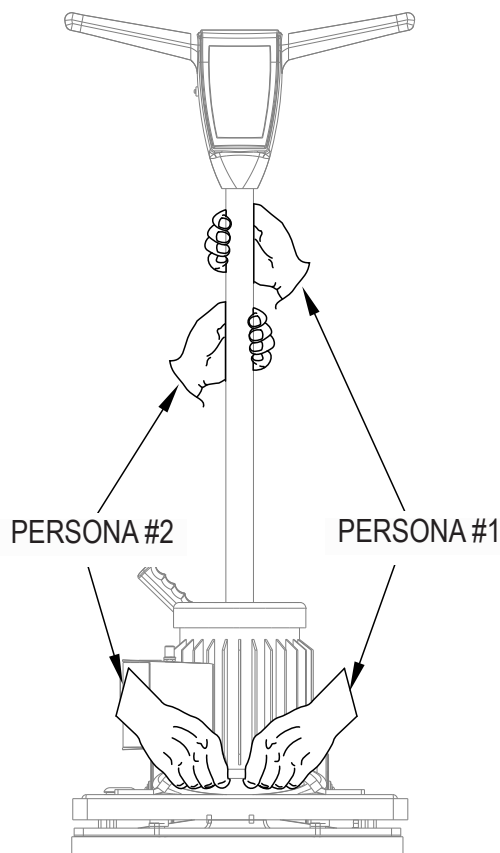


Figura 2

Preparazione della macchina

Per preparare la macchina all'uso:

1. Acquisire familiarità con le funzioni della macchina. Leggere tutte le indicazioni di pericolo, avvertenza e attenzione contenute nel Manuale per l'operatore e la manutenzione prima di usare la macchina. Se l'operatore non è in grado di leggere il manuale, sarà necessario spiegarli dettagliatamente il contenuto del manuale prima di autorizzarlo ad usare la macchina.
2. Montare o sostituire il cuscinetto. Sostituire sempre il cuscinetto se il suo spessore è uguale o inferiore a 3/8". Per montare o sostituire il cuscinetto:
 - a.) Bloccare la maniglia in posizione verticale.
 - b.) Inclinare la macchina all'indietro fino a portarla a contatto con la maniglia.
 - c.) Procedendo dall'alto, rimuovere il cuscinetto installato e montarne uno nuovo centrandolo sulla superficie di presa.
 - d.) Spingere il cuscinetto contro la superficie di presa fino ad inserire tutti i ganci nel cuscinetto, come mostra la Figura 3.
 - e.) Riportare la macchina in posizione verticale.



Figura 3

⚠ ATTENZIONE! L'uso della macchina senza cuscinetto o con un cuscinetto con uno spessore uguale o inferiore a 3/8» può danneggiare la superficie di presa.

⚠ AVVERTENZA! Scegliere sempre una posizione sicura per sostituire il cuscinetto o il disco abrasivo, per evitare di provocare lesioni a sé stessi o ad altre persone nel caso in cui la macchina si capovolga.

PREPARAZIONE DELLA MACCHINA

Questa sabbiatrica è stata progettata per essere usata con sistemi di captazione delle polveri remoti o con la sacca di raccolta fornita con la macchina.

Preparazione della macchina per l'uso con sistemi di captazione delle polveri remoti

Per preparare la macchina per l'uso con sistemi di captazione delle polveri con tubi da 2":

1. Montare l'estremità del tubo da 2" (Figura 4, A) direttamente sul tubo di scarico (Figura 4, B).
2. Per semplificare l'operazione, è possibile anche ruotare il tubo di scarico.

Per preparare la macchina per l'uso con sistemi di captazione delle polveri con tubi da 1 ½":

1. Collegare l'adattatore terminale del tubo da 2" x 1 ½ (codice 30563A) (Figura 4, C) al tubo di scarico (Figura 4, B).
2. Inserire l'estremità del tubo da 1 ½" (Figura 4, D) nell'adattatore (Figura 4, C).

NOTA: prima dell'uso ricordarsi sempre di avviare il sistema di captazione delle polveri.

Preparazione della macchina per l'uso con la sacca di raccolta inclusa

Per preparare la macchina per l'uso con la sacca di raccolta (codice 53741A) inclusa:

1. Installare la sacca di raccolta della polvere premendo l'estremità sul tubo di scarico fino a bloccare l'anello nella scanalatura (Figura 5). Il modo più semplice per effettuare questa operazione consiste nello spingere il lato posteriore dell'apertura della sacca con il palmo della mano.
2. Per semplificare l'operazione, è possibile anche ruotare il tubo di scarico.
3. Per rimuovere la sacca di raccolta della polvere dal tubo di scarico, sollevare l'apertura della sacca per distaccare parzialmente la costola interna dalla scanalatura, quindi tirare la sacca.
4. Per svuotare la sacca di raccolta della polvere, staccare la linguetta di scarico e svuotare la sacca capovolgendola.

NOTA: per ottenere prestazioni ottimali, è consigliabile effettuare l'operazione frequentemente. Seguire tutte le avvertenze riportate nel manuale e sulla sacca di raccolta della polvere.

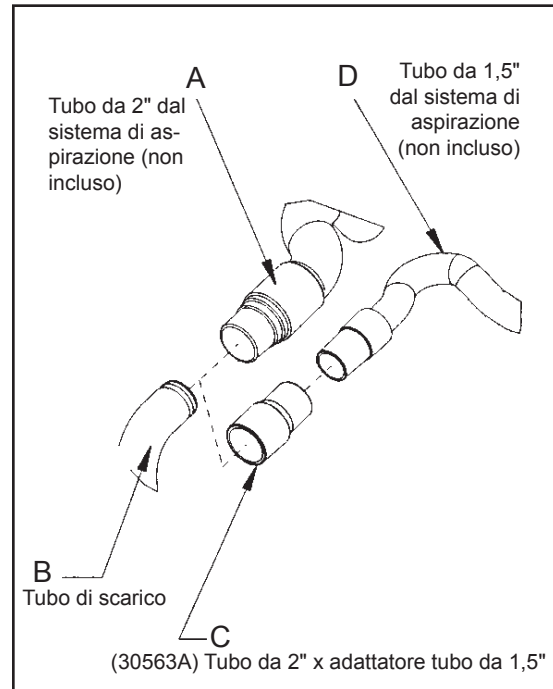


Figura 4

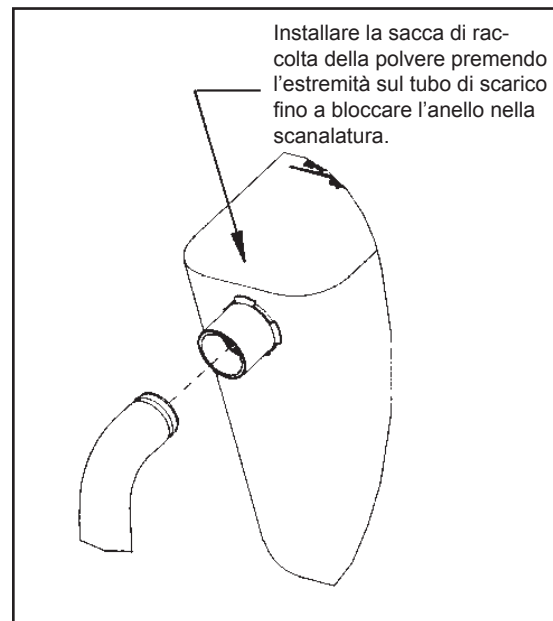


Figura 5

Istruzioni operative - Sabbatura

Per usare la macchina per le operazioni di sabbatura:

1. Portare la macchina nell'area di lavoro. Individuare la procedura più appropriata da seguire per sabbare l'area. Seguire uno schema che preveda un progressivo allontanamento dalla presa di alimentazione, per evitare che il cavo di alimentazione rimanga impigliato e non doverlo spostare troppo frequentemente.
2. Montare il disco abrasivo. Per montare il disco abrasivo seguire la procedura per il montaggio del cuscinetto descritta nella sezione PREPARAZIONE DELLA MACCHINA. Rimuovere la pellicola adesiva dal disco, quindi centrarlo sul cuscinetto e spingerlo verso il basso, verificando che aderisca saldamente al cuscinetto.

NOTA: se si utilizza una pellicola abrasiva, stenderla sul pavimento, quindi spostarsi lungo la pellicola con la macchina. Abbassare la macchina fino a portare il cuscinetto a contatto con la pellicola, verificando che sia centrata rispetto al cuscinetto

AVVERTENZA! Scollegare sempre la macchina dall'alimentazione prima di montare il disco abrasivo o il cuscinetto per ridurre al minimo il rischio di lesioni.

3. Collegare la macchina a un circuito munito di idonei fusibili e di messa a terra.
4. Rilasciare la maniglia sollevando la leva di blocco e portarla in una posizione che ne semplifichi l'uso.

ATTENZIONE! Non bloccare la maniglia. Il blocco della maniglia impedisce alla macchina di mantenere un contatto regolare con il cuscinetto e ne riduce le prestazioni e la stabilità.

5. Premere il tasto dell'interblocco (1) e applicare pressione alle leve (2). Per arrestare la macchina, rilasciare le leve (2) come mostra la Figura 6.

ATTENZIONE! Per evitare di danneggiare il pavimento e limitare al minimo lo slittamento, tenere sempre la macchina in movimento mentre il motore è in funzione.

NOTA: per informazioni sui dischi e la carta abrasiva, vedere la pagina 41.

Istruzioni operative - Lucidatura

Per usare la macchina per le operazioni di lucidatura:

AVVERTENZA! Scollegare sempre la macchina dall'alimentazione prima di montare il disco abrasivo o il cuscinetto per ridurre al minimo il rischio di lesioni.

1. Collegare la macchina a un circuito munito di idonei fusibili e di messa a terra.
2. Rilasciare la maniglia sollevando la leva di blocco e portarla in una posizione che ne semplifichi l'uso.

ATTENZIONE! Non bloccare la maniglia. Il blocco della maniglia impedisce alla macchina di mantenere un contatto regolare con il cuscinetto e ne riduce le prestazioni e la stabilità.

3. Premere il tasto dell'interblocco (1) e applicare pressione alle leve (2). Per arrestare la macchina, rilasciare le leve (2) come mostra la Figura 6.

ATTENZIONE! Per evitare di danneggiare il pavimento e limitare al minimo lo slittamento, tenere sempre la macchina in movimento mentre il motore è in funzione.

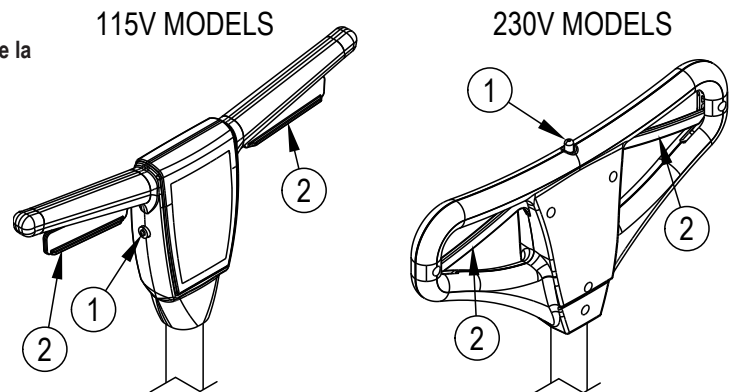


Figura 6

Risoluzione dei problemi

Problema	Causa	Azione correttiva
Il motore non si avvia.	Assenza di alimentazione Tasto di interblocco non premuto Interruttore difettoso/collegamento difettoso	Controllare l'alimentazione e i collegamenti. Premere il tasto di interblocco prima di usare la leva di comando. Rivolgersi a un rivenditore Clarke American Sanders autorizzato.
Il motore non si avvia o funziona in modo irregolare.	Tensione bassa dovuta all'uso di un cavo troppo lungo o di dimensioni inadeguate Condensatore di avvio difettoso Interruttore di avvio difettoso Condensatore di avvio/lavoro difettoso La tensione del motore è troppo bassa.	Usare un cavo di prolunga 14 Ga di lunghezza inferiore a 50'. Rivolgersi a un rivenditore Clarke American Sanders autorizzato. Rivolgersi a un rivenditore Clarke American Sanders autorizzato. Rivolgersi a un rivenditore Clarke American Sanders autorizzato. Rivolgersi a un rivenditore Clarke American Sanders autorizzato.
Il fusibile/interruttore automatico si attiva continuamente.	Tensione bassa Collegamento difettoso Motore difettoso	Rimuovere il cavo di prolunga. Usare la presa di alimentazione più vicina all'area di lavoro. Far controllare la tensione a un elettricista qualificato. Rivolgersi a un rivenditore Clarke American Sanders autorizzato. Rivolgersi a un rivenditore Clarke American Sanders autorizzato.

Maschere per la sabbiatura e carta abrasiva

Maschera per il trattamento iniziale

Lo scopo del trattamento iniziale è quello di rimuovere la finitura precedente e le imperfezioni grossolane della superficie. Usare un disco abrasivo per materiale grossolano (20-36 grit).

Trattamento finale

Lo scopo del trattamento finale è quello di rimuovere i graffi risultanti dal trattamento iniziale. Usare un disco abrasivo per materiale fine (60-80 grit).

Se la superficie continua a presentare irregolarità dopo il trattamento finale, è necessario usare un abrasivo più fine (80 - 100 grit). Selezionare l'abrasivo con molta cura. L'uso di abrasivi molto fini permette di chiudere i pori del pavimento in legno e di prevenire le macchie.

Se si notano segni di bruciatura o aree opache, è probabile che il disco abrasivo non sia più efficace e debba essere sostituito.

ПРОЧИТЕ ЭТУ ДОКУМЕНТАЦИЮ



ВНИМАНИЕ: Прочтите руководство по эксплуатации перед использованием устройства.

Эта книга содержит важную информацию об использовании и надежном управлении этой машиной. Если не прочесть эту книгу перед использованием машины Clarke American Sanders, то можно нанести вред себе или другому персоналу. Это может также привести к поломке самой машины или другого имущества. Перед эксплуатацией машины необходимо обучиться ее использованию. Если Ваш оператор(ы) не может прочесть эту инструкцию, полностью объясните ему содержание этой инструкции перед эксплуатацией машины.

Все инструкции, приведенные в этой книге, рассматриваются с позиции оператора позади машины.

Содержание

Правила техники безопасности оператора	3
Введение и технические характеристики машины	4
Транспортировка машины	4
Установка машины	5
Инструкции по эксплуатации	7
Нахождение и устранение неисправностей	8
Шлифовальные проходы и наждачная бумага	9

ЧАСТЬ II Детали и руководство по техническому обслуживанию 52-58

ПРАВИЛА ТЕХНИКИ БЕЗОПАСНОСТИ ОПЕРАТОРА

ОПАСНО	означает: Сильные телесные повреждения или смерть могут иметь место тогда, если пометки ОПАСНО , найденные на машине или в этом руководстве по эксплуатации, не будут соблюдаться или игнорироваться. Прочтите и придерживайтесь всех положений ОПАСНО , которые написаны в руководстве пользователя и на машине.
ПРЕДУПРЕЖДЕНИЕ	означает: Телесные повреждения могут иметь место тогда, если пометки ПРЕДУПРЕЖДЕНИЕ , найденные на машине или в этом руководстве по эксплуатации, не будут соблюдаться или игнорироваться. Прочтите и придерживайтесь всех положений ПРЕДУПРЕЖДЕНИЕ , которые написаны в руководстве пользователя и на машине.
ПРЕДОСТЕРЕЖЕНИЕ	означает: Ваша машина или другая собственность может быть повреждена, если пометки ПРЕДОСТЕРЕЖЕНИЕ , найденные на машине или в этом руководстве по эксплуатации, не будут соблюдаться или игнорироваться. Прочтите и придерживайтесь всех положений ПРЕДОСТЕРЕЖЕНИЕ , которые



ОПАСНО:



Если не прочесть эту инструкцию перед использованием или попыткой проведения любой процедуры ремонта или ухода машины компании Clarke American Sanders, то можно нанести вред себе или другому персоналу; это может также привести к поломке самой машины или другого имущества. Перед эксплуатацией машины необходимо обучиться ее использованию. **Если Ваш оператор(ы) не владеет языком руководства, полностью объясните ему содержание этой инструкции перед эксплуатацией машины.**



ОПАСНО:



Шлифование/отделка деревянных полов может создать взрывоопасные условия эксплуатации. Не используйте эту машину вблизи растворителей, бензина, разбавителей, древесной пыли или других легковоспламеняющихся материалов. Необходимо потушить или избежать зажигалок, горелок, электрических искр и всех других источников восплавления. Хорошо проветривайте рабочее пространство.

- Пыль, формирующаяся во время шлифования деревянных полов, может самопроизвольно воспалиться или взорваться. Сразу же выбрасывайте шлифовальную пыль в металлический контейнер, не содержащий никаких горючих веществ. Ни в коем случае не выбрасывайте пыль в открытый огонь.



ОПАСНО:



Смерть от электрического удара может произойти, если проводить техническое обслуживание машины в то время, как она подключена источнику питания. Перед проведением технического обслуживания отключите электроснабжение.

- Смерть от электрического удара может произойти, если машина используется с поврежденной вилкой или поврежденным шнуром питания. Не размещайте шнур питания на пути прохождения полировальника. Всегда поднимайте шнур над машиной. Не тяните машину за шнур питания.
- Опасность поражения током. Не используйте машину, если она попала под дождь или была обрызгана водой.



ОПАСНО:



Чтобы избежать телесных повреждений, не касайтесь руками, ногами или свободной одеждой движущихся частей машины. Отключайте от электропитания, перед тем, как поменять полировальник, заменить абразивный материал и во время технического обслуживания. Не используйте машину пока все защитные устройства не будут установлены на место. Никогда не оставляйте машину одну, когда она подключена к электросети.



ПРЕДУПРЕЖДЕНИЕ:



Во время шлифования могут иметь место телесные повреждения, если не используются защитная спецодежда и защитное снаряжение. Во время шлифования необходимо носить защитные очки, защитную спецодежду и респиратор.



ПРЕДУПРЕЖДЕНИЕ:



Эта шлифовальная машина не должна использоваться на деревянных покрытиях, подвергнутых обработке под давлением. Некоторые деревянные покрытия, обработанные под давлением, содержат мышьяк, поэтому, при шлифовании таких поверхностей происходит образование опасной пыли. Вдыхание пыли деревянных покрытий, обработанных под давлением, может привести к серьезным повреждениям или смерти. Шлифование деревянных настилов, обработанных под давлением, и неровных поверхностей может повредить шлифовальную машину, что приведет к потере гарантии.



ПРЕДУПРЕЖДЕНИЕ:

Любые изменения или модификации этой машины могут привести к её повреждению или увечью оператора либо людей, находящихся вблизи. Изменения и модификации, не санкционированные изготовителем, аннулируют все гарантии и обязательства.

Введение и технические требования машины

Машина OBS-18 или OBS-18DC может использоваться на разнообразных поверхностях. Это идеальный инструмент по уходу за деревянными настилами пола, и для восстановительных работ. Также, машина подходит для очистки твердых покрытий, таких как бетонно-мозаичный пол.

Модель	OBS-18			OBS-18DC		
	Кодовый номер	07076B	07079B / 07116A / 07086B	07122A	07081B	07083B / 07115A / 07087B
Вольтаж/Частота	115В/60Гц	230В/50Гц	115В/50Гц	115В/60Гц	230В/50Гц	115В/50Гц
Ампераж (А)	10	5	10.5	10	5	10.5
Мотор	1 л.с.	0.75 кВт	0.75 кВт	1л.с.	0.75кВт	0.75кВт
Размер полировальн.	12" x 18"	305 x 457 мм	305 x 457 мм	12" x 18"	305 x 457 мм	305 x 457 мм
Орбит в минуту	3600	3000	3000	3600	3000	3000
Диам. орбиты	1/4 дюйма	6.4 мм	6.4 мм	1/4 дюйма	6.4 мм	6.4 мм
Масса брутто	125 фунтов	57 кг.	57 кг.	125 фунтов	57 кг	57 кг
Шум (дБА)	74	74	74	74	74	74
Вибрация (м/с/с)	11.2	11.2	11.2	11.2	11.2	11.2

Транспортировка машины

Для транспортировки машины придерживайтесь следующего порядка действий:

1. Отсоедините машину от источника питания и сверните шнур.
2. Поднимите и закрепите ручку в вертикальном положении. Чтобы заблокировать ручку, потяните рычаг нагнетания воздуха для опускания ручки. См. рисунок 1.
3. Возьмите машину за подъемные стороны и перенесите на грузовую площадку. См. рис. 2.

ПРЕДУПРЕЖДЕНИЕ:

Машина - очень тяжелая (125 фунтов/57кг). для предотвращения травм или повреждений машины, используйте прочный захват и подходящую технику поднятия. При необходимости обратитесь за помощью.

4. Во избежание перемещений на грузовой площадке, зафиксируйте машину.

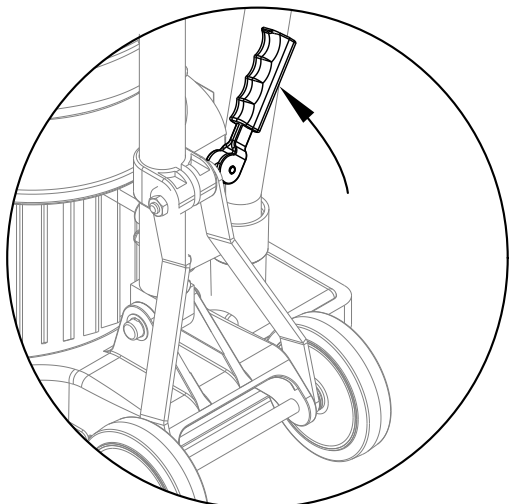


Рисунок 1

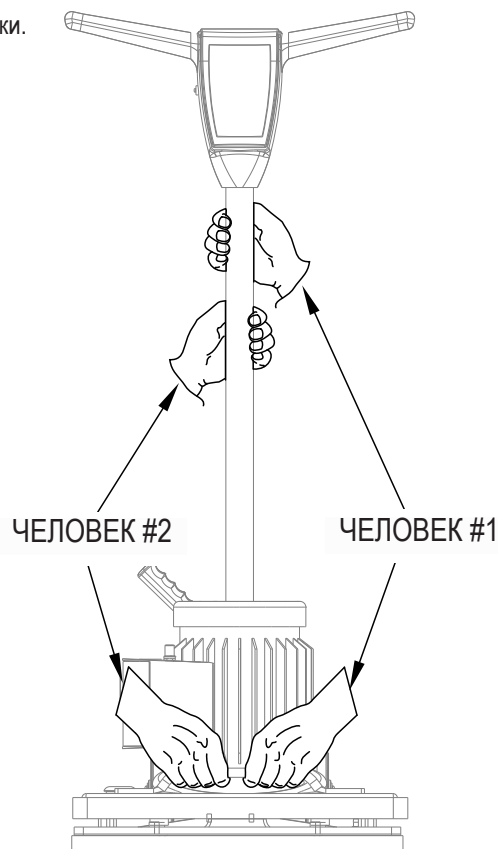


Рисунок 2

Установка машины

Для подготовки машины к использованию, придерживайтесь следующего порядка действий:

1. Ознакомьтесь с машиной. Перед эксплуатацией прочитайте это руководство, включая все предупреждения и предостережения об опасности. Если Ваш оператор(ы) не владеет языком руководства, полностью объясните ему содержание этой инструкции перед эксплуатацией машины.
2. Установите или замените полировальник. Полировальник необходимо заменить, если его толщина стерлась до 3/8" или меньше. Для установки или замены полировальника, соблюдайте следующие инструкции:
 - a.) Зафиксируйте ручку в вертикальном положении.
 - b.) Наклоните машину назад, пока она полностью не расположится на ручке.
 - c.) Придерживая машину, извлеките полировальник, затем поместите новый полировальник по центру захвата.
 - d.) Вдавите полировальник против передней части захвата, до тех пор, пока крюки привода не совпадут с полировальником. См. рис. 3.
 - e.) Возвратите машину в вертикальное положение.



Рисунок 3

⚠ ВНИМАНИЕ: При использовании машины без полировальника или с полировальником, который тоньше чем 3/8", приведет к поломке захвата.

⚠ ПРЕДУПРЕЖДЕНИЕ: Остерегайтесь падения машины во время замены полировальника или абразивного материала.

УСТАНОВКА МАШИНЫ

Эта шлифовальная машина разработана для эксплуатации с дистанционной вакуумной системой пылеулавливания или с мешком для пыли, который входит в комплект поставки.

Подготовка дистанционной вакуумной системы пылеулавливания

Для подготовки работы машины с дистанционной вакуумной системой пылеулавливания, которая имеет окончание шланга 2", соблюдайте следующую процедуру:

1. Установите окончание шланга 2" (рисунок 4, A) прямо сверху выхлопной трубы (рисунок 4, B).
2. Для большего удобства, выхлопная труба может вращаться.

Для подготовки работы машины с дистанционной вакуумной системой пылеулавливания, которая имеет окончание шланга 1,5", соблюдайте следующую процедуру:

1. Установите переходник окончания шланга 2" x 1,5" (№ детали 30563A) (рисунок 4, C) над выхлопной трубой (рисунок 4, B).
2. Вставьте окончание шланга 1,5" (рисунок 4, D) в переходник (рисунок 4, C).

ПРИМЕЧАНИЕ: Запускайте дистанционную вакуумную систему пылеулавливания перед эксплуатацией машины.

Подготовка использования мешка для пыли

Для подготовки работы машины с мешком для пыли, который входит в комплект, (№ детали 53 741A), соблюдайте следующую процедуру:

1. Установите мешок для пыли при помощи вставки окончания мешка в выхлопную трубу до полной фиксации кольца в пазу (рисунок 5). Лучший способ это проделать, использовать Вашу ладонь, нажимая на заднюю часть отверстия мешка.
2. Для большего удобства, выхлопная труба может вращаться.
3. Чтобы удалить мешок для пыли из выхлопной трубы, поднимите конец отверстия мешка, чтобы частично освободить внутреннее ребро из паза, затем потяните мешок.
4. Для опорожнения мешка, расстегните клапан для удаления и встряхните содержимое при помощи опрокидывания мешка.

ПРИМЕЧАНИЕ: Для наилучшего результата, почаще опорожняйте мешок для пыли. Соблюдайте все предупреждения, указанные в этом руководстве и на мешке для пыли.

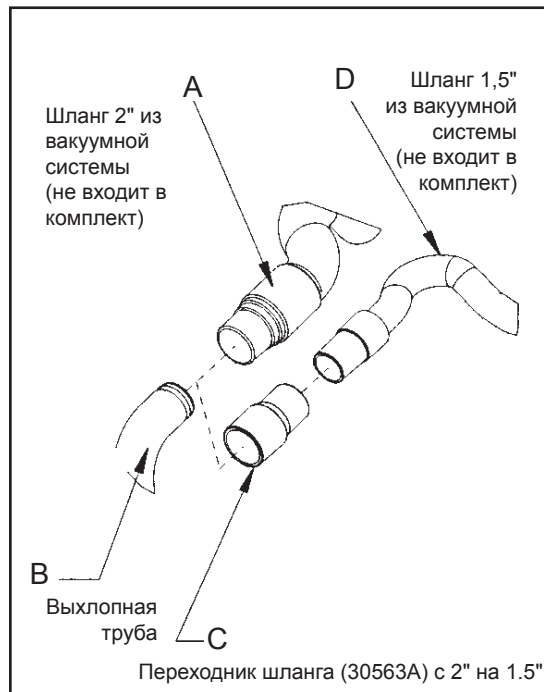


Рисунок 4

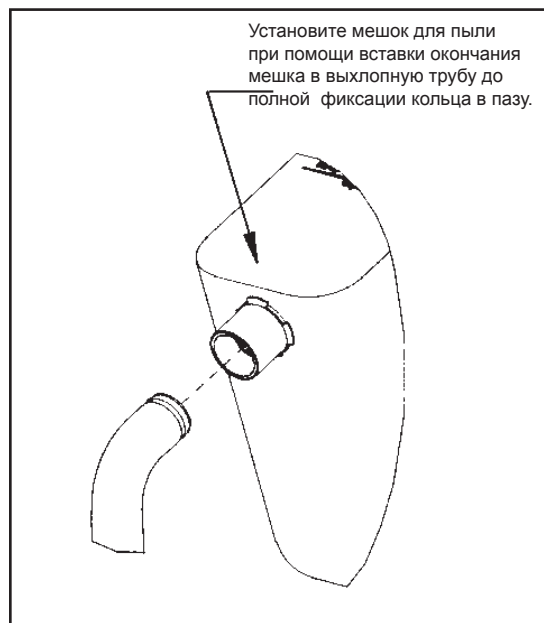


Рисунок 5

Инструкции по эксплуатации – шлифование

Для управления машиной, придерживайтесь следующего порядка действий:

1. Передвиньте машину к месту работы. Определите наилучший доступ до площади шлифования. Во время шлифования, старайтесь не приближаться к источнику энергии. Этим можно избежать повреждения сетевого шнура и уменьшить потребность часто его передвигать.

2. Установите абразивный материал. Следуйте процедурам, описанным в пункте УСТАНОВКА МАШИНЫ для установки полировальника, абразивного материала. Сдерите пленку на задней стороне абразивного материала; расположите материал по центру над полировальником и придавите его. Липкая лента абразивного материала будет удерживать его на полировальнике.

ПРИМЕЧАНИЕ: При использовании сетчатого абразивного материала, установите сетку на пол, и затем передвиньте машину над сеткой. И опустите машину, пока она не расположится на сетке. Убедитесь, чтобы сетка находилась по центру полировальника.

ПРЕДУПРЕЖДЕНИЕ: Если во время установки полировальника или абразивного материала, машина подключена к источнику питания, существует вероятность получения травм. Перед установкой полировальника / абразивного материала, отключите машину от сети.

3. Подключите сетевой шнур машины к правильно заземленной сети.
4. Освободите ручку, при помощи нажатия на стопорный рычаг. Разместите ручку в удобное для Вас положение.

ВНИМАНИЕ: Не блокируйте ручку. Фиксация ручки предотвратит машину от равномерного расположения на полировальнике, и уменьшит функциональность машины и ее надежность.

5. Нажмите блокировочный переключатель (1) и надавите рычаги (2). Для остановки машины, освободите рычаги (2). См. рис. 6.

ВНИМАНИЕ: Во избежание повреждения покрытия, и для уменьшения кружений, держите машину в движении во время работы мотора.

ПРИМЕЧАНИЕ: Относительно шлифовальных проходов и наждачной бумаги, см. страницу 49.

Инструкции по эксплуатации – полирование

Для управления машиной при полировке, придерживайтесь следующего порядка действий:

ПРЕДУПРЕЖДЕНИЕ: Если во время установки полировальника или абразивного материала, машина подключена к источнику питания, существует вероятность получения травм. Перед установкой полировальника / абразивного материала, отключите машину от сети.

1. Подключите сетевой шнур машины к правильно заземленной сети.
2. Освободите ручку, при помощи нажатия на стопорный рычаг. Разместите ручку в удобное для Вас положение.

ВНИМАНИЕ: Не блокируйте ручку. Фиксация ручки не позволит машине равномерно расположиться на полировальнике, и уменьшит функциональность машины и ее надежность.

3. Нажмите блокировочный переключатель (1) и надавите рычаги (2). Для остановки машины, освободите рычаги (2). См. рис. 6.

ВНИМАНИЕ: Чтобы предотвратить возможные повреждения покрытия пола и уменьшить завихрения, следите за тем, чтобы машина пребывала в постоянном движении, когда включен мотор.

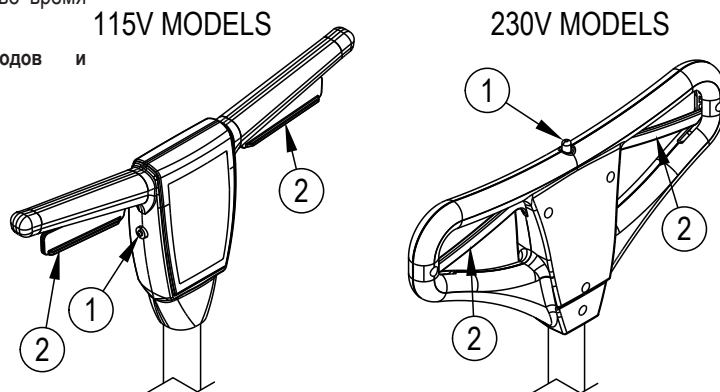


Рисунок 6

Нахождение и устранение неисправностей

Проблема	Причина	Действие
Не запускается двигатель.	Нет электропитания. Блокировочный переключатель не нажатый. Неиспр. переключатель / Плохое соединение	Проверьте источник тока и соединение Нажмите блокировочный переключатель перед запуском контрольного рычага. Обратитесь к агенту компании Clarke American Sanders
Двигатель не запускается	Низкое напряжение вследствие чрезм. длины или слишком короткого удлинителя. Поврежден пусковой конденсатор. Поврежден пусковой включатель. Поврежден пусковой/ рабочий конденсатор Поврежден двигатель, низкое напряжение	Используйте удлинитель 14 д., не превышайте длину более 50'. Обратитесь к агенту компании Clarke American Sanders Обратитесь к агенту компании Clarke American Sanders Обратитесь к агенту компании Clarke American Sanders Обратитесь к агенту компании Clarke American Sanders
Часто срабатывает автоматический выкл./ плавкий предохранитель.	Низкое напряжение. Плохое соединение. Неисправности двигателя.	Уберите удлинитель Установите источник электропитания ближе к рабочей площадке. Напряжение должно быть проверено квалифицированным электриком. Обратитесь к агенту компании Clarke American Sanders Обратитесь к агенту компании Clarke American Sanders

Шлифовальные проходы и наждачная бумага

Первоначальный проход

Целью первоначального прохода является удаление старой отделки и больших неровностей на поверхности пола. Используйте ряднозернистый абразив (20-36).

Доводочные проходы

Целью чистового прохода является удаления царапин, сделанных во время начального прохода. Используйте мелкозернистый абразив (60-80).

Если после чистового прохода поверхность остается шероховатой, возможно будет необходимость использовать даже более мелкий абразивный материал (80 - 100 номер зернистости). Следует быть внимательным при выборе размера зернистости абразива. Чрезмерно мелкая зернистость закрывает поры на деревянном полу и утруднит окраску поверхности.

Если абразивный материал затрется, его необходимо заменить.

Clarke[®]

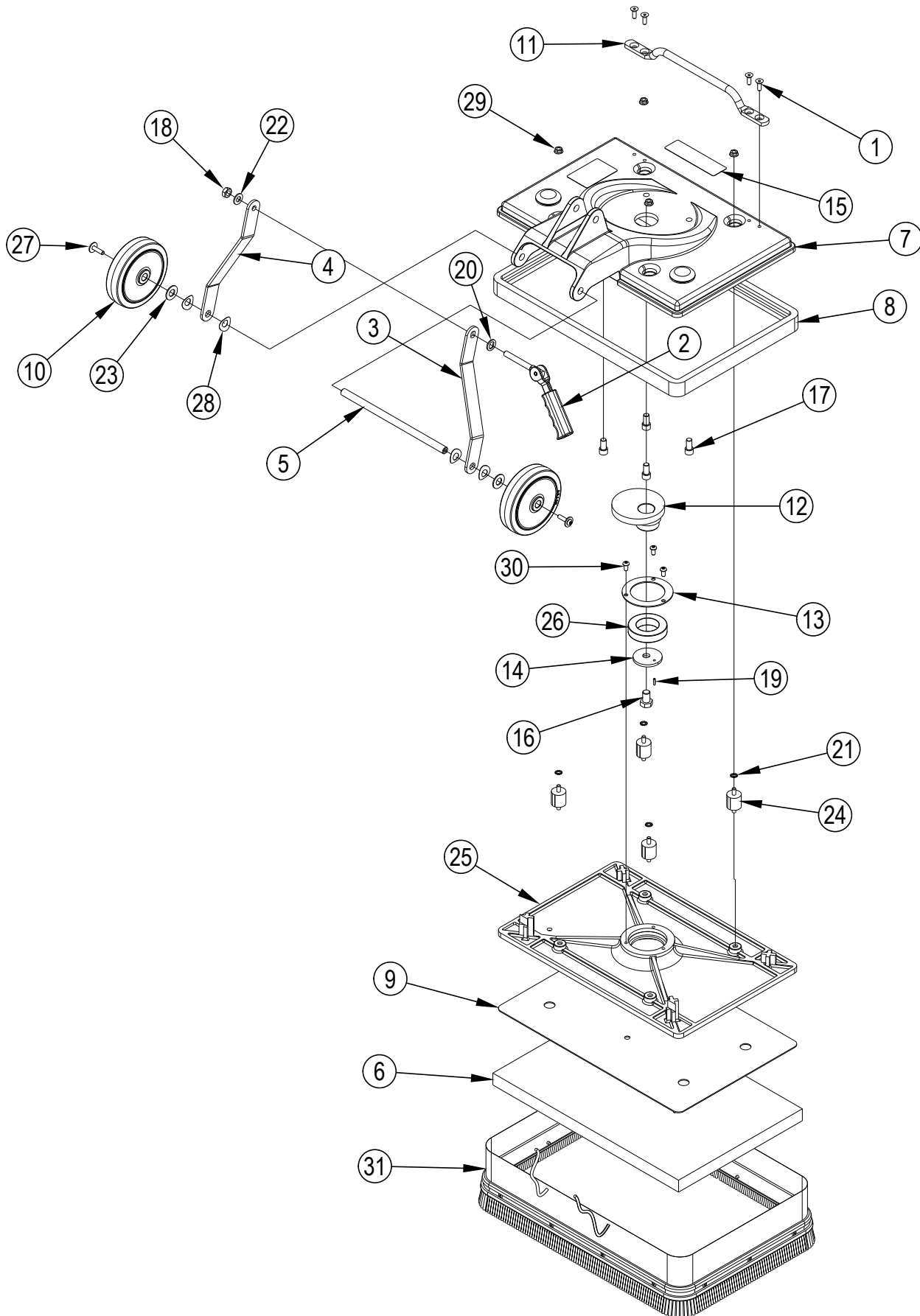
American Sanders[®]

OBS-18
OBS-18DC

Section II
Parts Manual

(56042630)

BASE ASSEMBLY



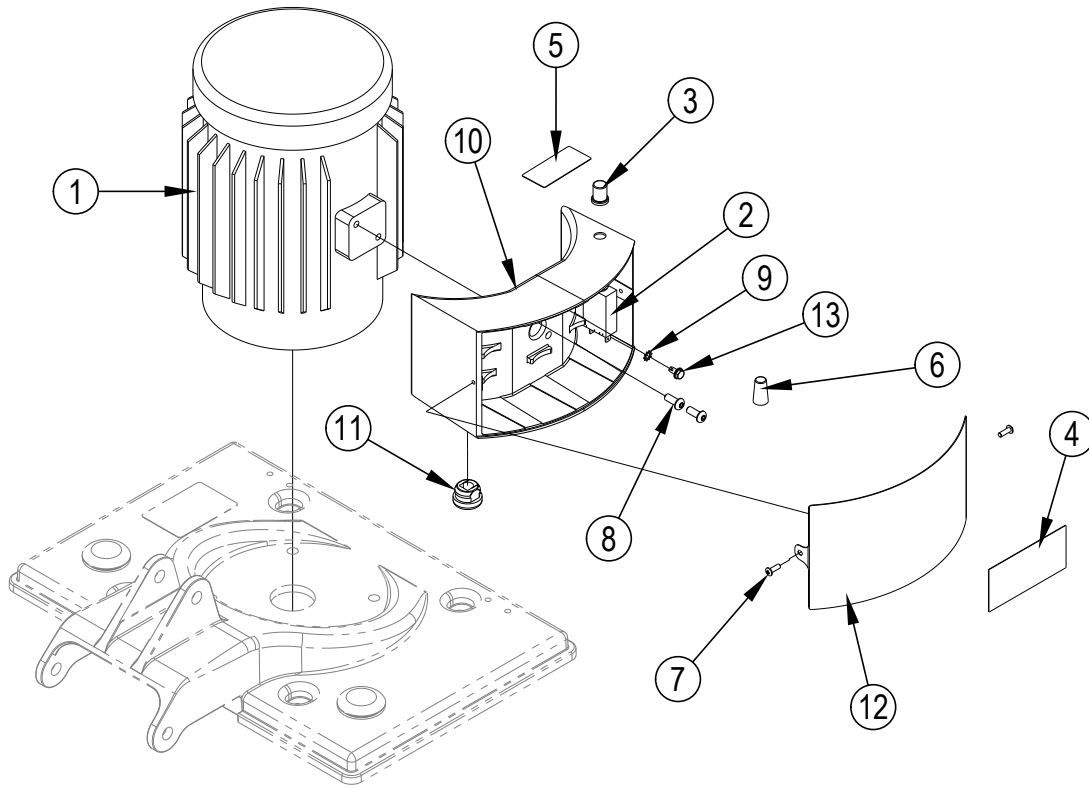
BASE ASSEMBLY

Item	Ref. No.	Qty	Description
1	962411	4	Scr 1/4 -20x 3/4 Sf St Cap
2	56109699	1	Cam Assy With Grip NOTE 1
3	56381766	1	Link-Arm Right NOTE 2
4	56381767	1	Link-Arm Left NOTE 2
5	56381768	1	Shaft-Axle NOTE 2
6	56382759	1	Pad, Red
7	25907A	1	Main Frame Obs-18 Silver Assy (Standard Models only)
	25908A	1	Mainframe Obs-18dc (Dust Control Models only)
8	31224B	1	Bumper Frame Black
9	39730A	1	Grip Face
10	39857A	2	Wheel 5 X 1.50 X .500 NOTE 2
11	54930A	1	Handle-Lift
12	62814A	1	Eccentric Obs-18
13	66981A	1	Retainer Bearing Obs-18
14	66982A	1	Retainer Eccentric Obs-18
15	70499A	1	Label Cas
16	85718A	1	Scr 1/2-13 X 3/4 Hc St Grd 2
17	86112A	4	Screw-3/8-16 X 3/4-Socket Head
18	920248	1	Nut, 3/8-16. Esna, Jam
19	925589	1	Pin, Roll
20	980349	1	Washer Wear Cam
21	980614	4	Washer, 1/4" Starlock, External
22	980645	1	Washer, 3/8" S.A.E. Flat
23	980648	2	Washer 17/32 X 1 1/16 Plain NOTE 2
24	10666A	1	Spring Mount Kit OBS-18 (includes four isolators and four of item 21)
25	29931A	1	Base-Orbital
26	50736A	1	Bearing
27	80292A	2	Screw .25-20 X 1.00 Bhhr Sems NOTE 2
28	80295A	4	Washer Bowed
29	81220A	4	Nut, Serrated Flange
30	87700A	3	Screw 1/4-20 X 1/2 B.H.
31	18445A	1	Skirt Asmdust OBS-18DC (Dust Control Models only) TSBCAS2010-04

[] = Not Shown

NOTE 1: 56109699 replaces the following three parts: 925592, 461404, 441301.

NOTE 2: Lower Link Arm 61831A is no longer used in production. Items (3, 4, 5, 10, 23, 27) have replaced the old configuration as of March 2011.



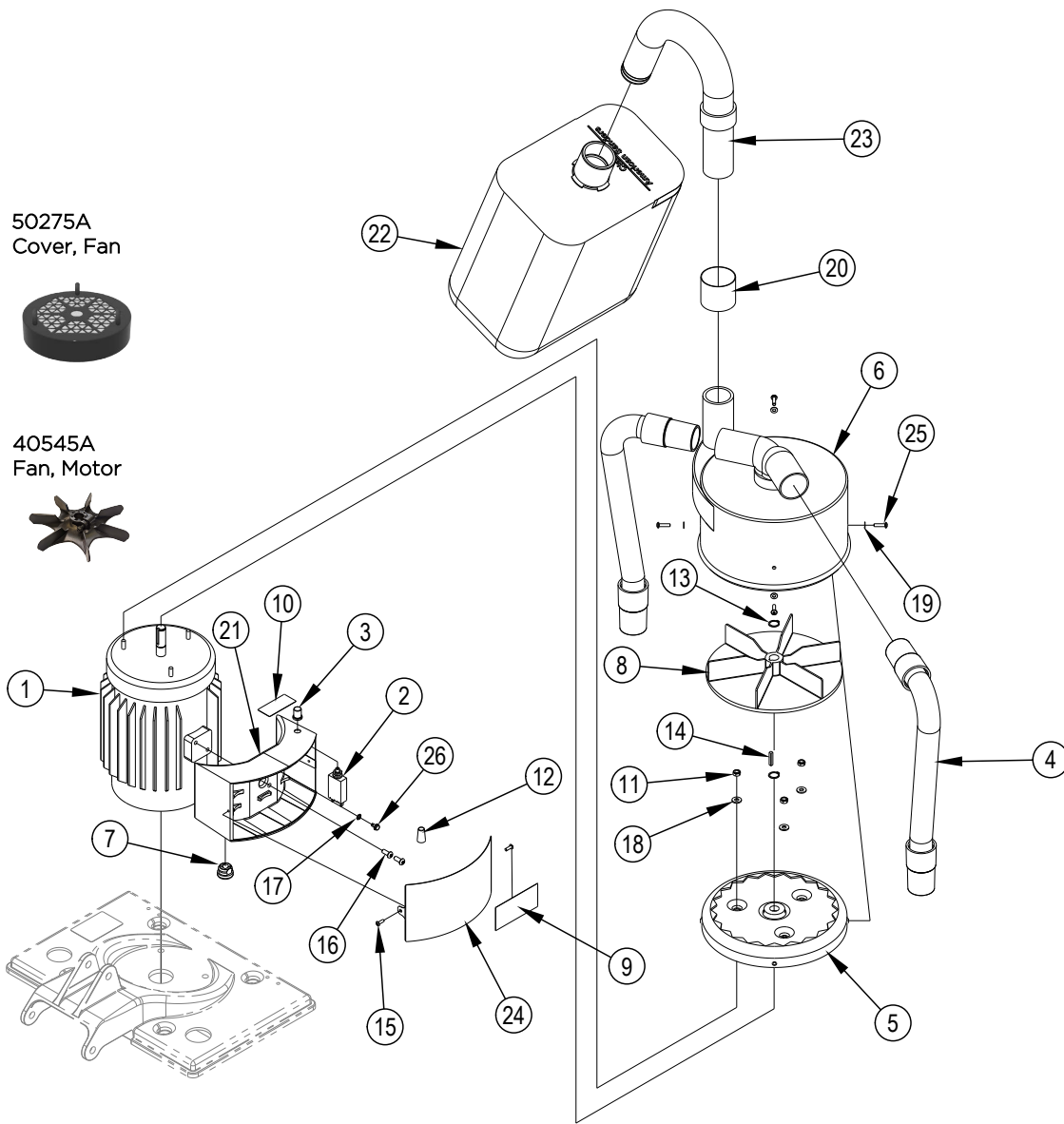
MOTOR ASSEMBLY - STANDARD

Item	Ref. No.	Qty	Description
1	56382831	1	Motor1hp115v/60hz Obs-18 (Baldor 115V)
[]	40160A	1	Starter Switch
[]	41311A	1	Capacitorrun25mfd 370v (115V)
[]	41312A	1	Capacitor Start 400-480mfd125v (115V)
1	NA	1	Motor1hp115v/60hz Obs-18 (Imperial 115V)
[]	56380670	1	Switch-Starter 40A 115V for all 115V
[]	41311A	1	Capacitorrun25mfd 370v (115V)
[]	41312A	1	Capacitor Start 400-480mfd125v (115V)
1	40754A	1	Motor 1hp 115/50 Obs-18 (model 07122A)
[]	47378A	1	Switch Motor Starting Classi
[]	41311A	1	Capacitorrun25mfd 370v (115V)
[]	41312A	1	Capacitor Start 400-480mfd125v (115V)
1	NA	1	Motor1hp230v/50hz Obs-18 (OBS / 230V)
[]	47378A	1	Switch Motor Starting Classi
[]	41313A	1	Capacitorrun12mfd 240V (230V)
[]	41314A	1	Capacitorstart137mfd 240V (230V)
2	56454538	1	Circuit Breaker, 15 Amp (115V) NOTE 1
	41419A	1	Circuit Breaker15a (115V) NOTE 2
	41418C	1	Breakercircuit10aqd.25 Srt (230V)
[]	47709A	1	Terminal1/4 Fifqd 12-10 Ga.
3	56459367	1	Boot, Reset Button NOTE 1
4	77195A	1	Label-UI Fire & Sand.
5	77234A	1	Plate-Warning
6	170667	1	Wire Connector Twist On 74b
7	962727	2	Screw, 8-32 X 1/2
8	962822	2	Screw 1/4-20 X 5/8 Bt St Soc
9	980603	1	Washer, #10 Lock External Tooth
10	22906A	1	Enclosure, Motor Start
11	51523A	1	Strain Relief Bushing 7/8x.20 Panel .37-.43 Cord
12	62667A	1	Cover, Enclosure
13	85833A	1	10-32x3/8 Hw Type 23

[] = Not Shown

NOTE 1: Used on machines after October 2011.

NOTE 2: Used on machines before November 2011.



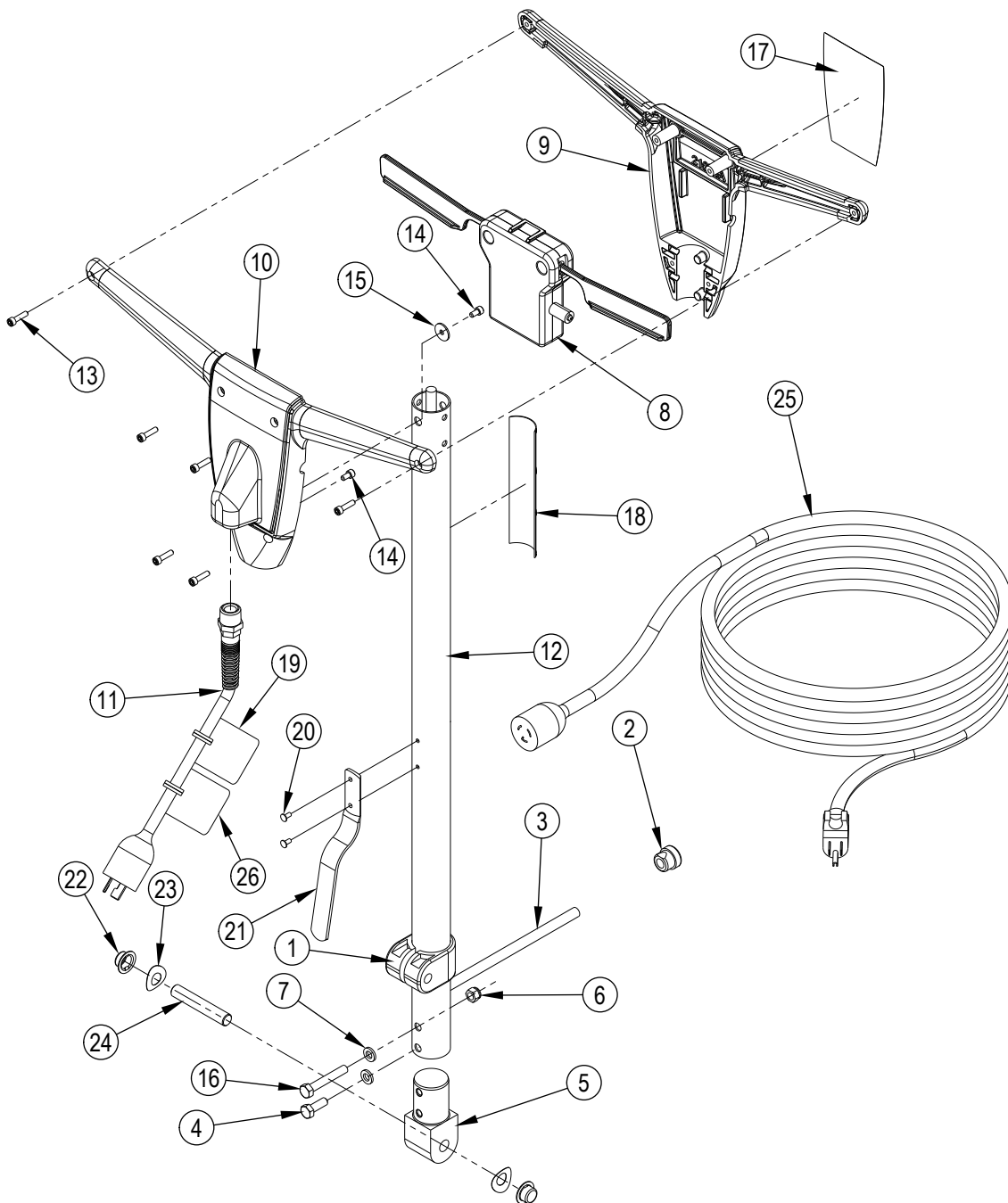
MOTOR ASSEMBLY - DUST CONTROL

Item	Ref. No.	Qty	Description	Item	Ref. No.	Qty	Description
1	56382885	1	Motor1HP 115V/60 HZ OBS-18DC (Baldor115V)	8	54765A	1	Impeller
[]	40160A	1	Starter Switch	9	77195A	1	Label-UI Fire & Sand.
[]	41311A	1	Capacitorrun25mfd 370v (115V)	10	77234A	1	Plate-Warning
[]	41312A	1	Capacitor Start 400-480mfd125v (115V)	11	81217A	3	Nut, 1/4-20 Hex Esna
1	NA	1	Motor1HP 115V/60 HZ OBS-18DC (Imperial 115V)	12	170667	1	Wire Connector Twist On 74b
[]	56380670	1	Switch-Starter 40A 115V for all 115V	13	797301	2	Ring Retaining Ext 5/8"
[]	41311A	1	Capacitorrun25mfd 370v (115V)	14	915044	1	Key, 3/16 Sq.
[]	41312A	1	Capacitor Start 400-480mfd125v (115V)	15	962727	2	Screw, 8-32 X 1/2
1	44673A	1	Motor-1 HP 230V/60Hz	16	962822	2	Screw 1/4-20 X 5/8 Bt St Soc
[]	47378A	1	Switch Motor Starting Classi	17	980603	1	Washer, #10 Lock External Tooth
[]	41313A	1	Capacitorrun12mfd 240V (230V)	18	980646	3	Washer 1/4 Sae Flat Pltd
[]	41314A	1	Capacitorstart137mfd 240V (230V)	19	980982	4	Washer 10 Sae Flat Pltd
1	40753A	1	Motor-1HP 115V/50Hz (model 07121A)	20	56380336	1	Seal-Dust Pipe
[]	47378A	1	Switch Motor Starting Classi	21	22906A	1	Enclosure, Motor Start
[]	41313A	1	Capacitorrun12mfd 240V (230V)	22	53741A	1	Bag, Dust Obs18
[]	41314A	1	Capacitorstart137mfd 240V (230V)	23	61833A	1	Tube, Exhaust Weldment
2	56454538	1	Circuit Breaker, 15 Amp (115V) NOTE 1	24	62667A	1	Cover, Enclosure
	41419A	1	Circuit Breaker15a (115V) NOTE 2	25	85383A	4	Screw, 10-32 X 3/4 P.H.
	41418C	1	Breakercircuit10a qd.25 Srt (230V)	26	85833A	1	10-32x3/8 Hw Type 23
[]	47709A	1	Terminal1/4 Fifqd 12-10 Ga.				
3	56459367	1	Boot, Reset Button NOTE 1				
4	30407B	2	Hose				
5	10478A	1	Asm. Blower Housing Cover				
6	35242A	1	Housingblower Obs-18dc				
7	51523A	1	Bushing Strain Relief				

[] = Not Shown

NOTE 1: Used on machines after October 2011.

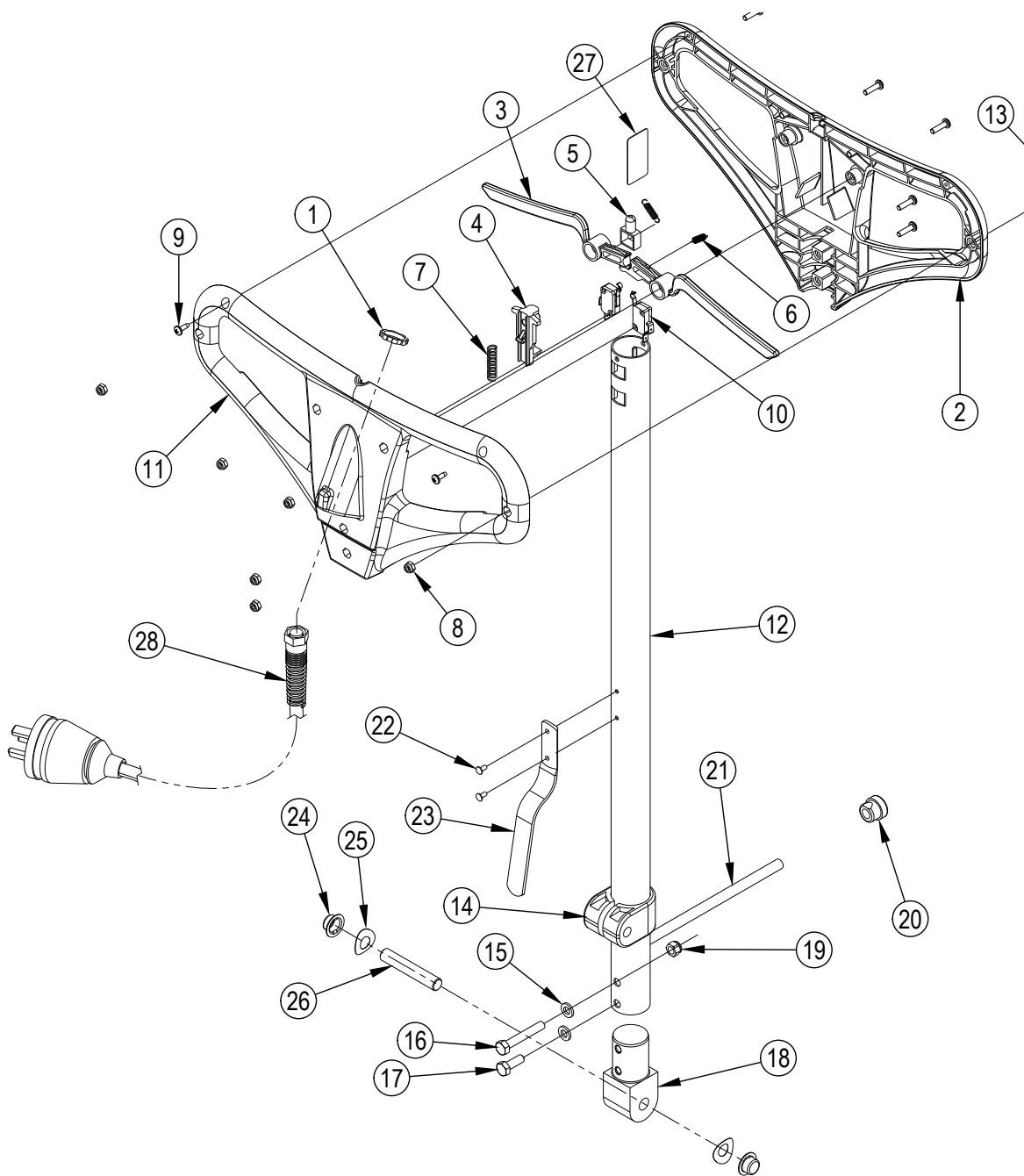
NOTE 2: Used on machines before November 2011.



HANDLE ASSEMBLY - 115V

Item	Ref. No.	Qty	Description	Item	Ref. No.	Qty	Description
1	442001	1	Clamp-Handle Tube	15	80291A	1	Washer, Flat #10 (.203x.734x.063)
2	627561	1	Strain-Relief	16	85817A	1	Screw 5/16-18 X 2.00 Hex Hd Gr5
3	40522A	1	Cord Interconnect	17	71126A	1	Label, Handle
4	85812A	1	Screw 5/16-18 X 7/8 Hex Hd Gr5	18	71347A	1	Label Cca Warning
5	509240	1	Tongue, Handle Tube	19	70175A	1	Tag-Warning Eng-Spn
6	920110	1	Nut, 5/16-18 Hex Lock	20	930005	2	Rivet_5/32 X .32
7	980652	2	Washer, 5/16 Lock	21	64325A	1	Hook-Cord
8	10687A	1	Interlock Asm	22	920346	2	Palnut #Pw500015 Type W
9	21074A	1	Handle, Front - Cfp	23	80295A	2	Washer Bowed
10	21075A	1	Handle, Rear - Cfp	24	67474A	1	Shaft-Handle Pivot
11	40931A	1	Cord Adapter NOTE 1	25	40540A	1	Cordset 12-3x40ft 5-15p NOTE 1
12	61825A	1	Tube-Handle	26	70175A-FR	1	Tag-Warning Eng-Frn
13	80284A	6	Screw 10-32 UNF X .75 H.R.C.S.				
14	80290A	2	Screw 10-32 X .38 HRCS				

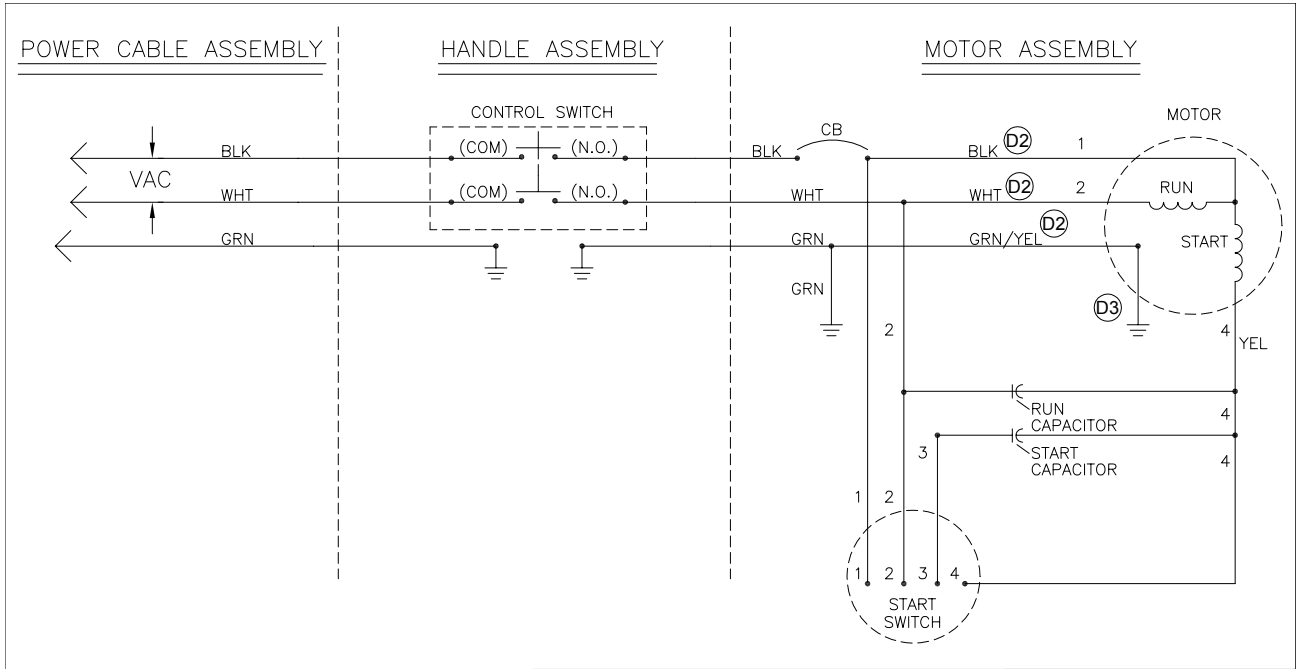
NOTE 1: Cord 40919A has been replaced by 40540A and 40931A.



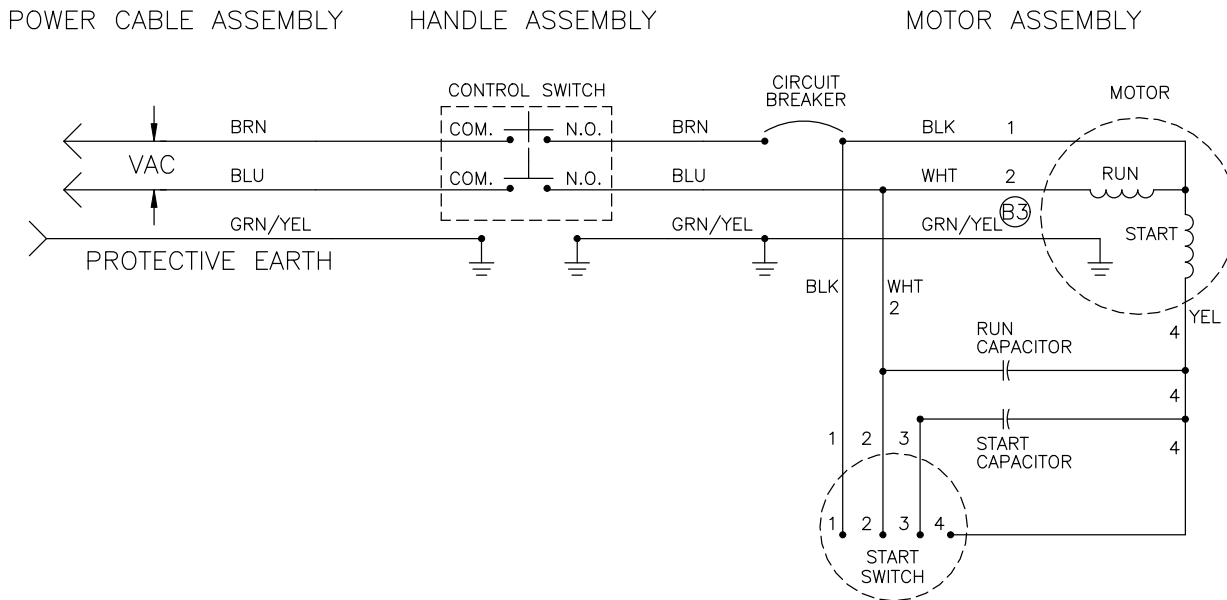
HANDLE ASSEMBLY - 230V

Item	Ref. No.	Qty	Description	Item	Ref. No.	Qty	Description
1	170686	1	Nutk For 1/2 Conduit	16	85817A	1	Screw 5/16-18 X 2.00 Hex Hd Gr5
2	30285A	1	Handle Front C2k W/Blank	17	85812A	1	Screw 5/16-18 X 7/8 Hex Hd Gr5
3	50798A	2	Lever Switch C2k	18	509240	1	Tongue, Handle Tube
4	50799A	1	Interlock Main C2k	19	920110	1	Nut, 5/16-18 Hex Lock
5	50806A	1	Button Interlock C2k	20	627561	1	Strain-Relief
6	50820A	2	Spring Extension C2k	21	10250A	1	Cord Interconnect Asm
7	50821A	1	Spring Compression C2k	22	930005	2	Rivet_5/32 X .32
8	920722	6	Nut 10-32 Esna	23	64325A	1	Hook-Cord
9	962957	2	Screw, 10-16 X 1/2 Self Tap	24	920346	2	Palnut #Pw500015 Type W
10	40109A	2	Switch Minature-Spno C2k	25	80295A	2	Washer Bowed
11	50780A	1	Handle, Rear	26	67474A	1	Shaft-Handle Pivot
12	69153B	1	Tube, Handle	27	50930A	1	Cord Retainer C2K
13	85383A	6	Screw, 10-32 X 3/4 P.H.	28	40524A	1	Cord Power (model 07083B)
14	442001	1	Clamp-Handle Tube		40864A	1	Cord Power (model 07115A)
15	980652	2	Washer, 5/16 Lock				

OBS-18 & 18DC
120v 60 Hz & 230v 50Hz
Electrical Schematic 10/98



OBS-18 & 18DC
230v 50 Hz "CE"
Electrical Schematic 10/98



CLARKE AMERICAN SANDERS U.S. AND CANADA LIMITED WARRANTY

Amano Pioneer Eclipse, Inc. warrants to the original end user, each new machine, new accessories and genuine replacement parts against defects in material and workmanship under normal use and service. Our obligation under this warranty is limited to repair or replacement of the defective item at our factory or by an Authorized Service Center. Warranty coverage shall begin on the date of purchase by the original end user (as evidenced by your invoice from the factory or Authorized Dealer) or one (1) year from the date the machine was shipped from the factory, whichever is earlier. The warranty registration card must be completed and returned within 30 days of purchase. The warranty coverage period is specified below.

GROUP	Parts ^{1,2}	Labor ²
Big Machines (belt and drum)	1 year	1 year
Rotary Sanders	5 years	5 years
Dust Control Vacs ⁴	2 years	2 years
Edger, Orbital, 3DS	1 year	1 year
Power Booster	2 years	2 years
Accessories/Replacement Parts ³	90 Days	
EXCEPTIONS		
NOTES:		
1-Parts repaired or replaced are guaranteed for the remainder of the original machine warranty period.		
2-Coverage only applicable to products sold and used in the United States and Canada.		
3-Applies to replacement parts only after machine warranty coverage has expired.		
4-Backplates on are warranted for the life of the machine		

This warranty shall not apply to repairs resulting from accidents or misuse, damage in transit, overloading the capacity of the machine, failure due to lack of proper maintenance or care as described in the operating and maintenance instructions. Minor adjustments, such as tightening of screws or bolts not connected with the replacement of parts, are not covered. Replacement of expendable wear items such as scrub brushes, pad holders, carbon motor brushes, bulbs, bags, filters and various rubber/plastic parts are also not covered. Repairs or alterations by an organization other than the factory or an Authorized Service Center are not covered and will void any Amano Pioneer Eclipse, Inc. warranty as to the parts or systems repaired or altered by a non-authorized organization.

THERE ARE NO WARRANTIES THAT EXTEND BEYOND THE DESCRIPTION OF THE LIMITED WARRANTIES STATED WITHIN. NO OTHER WARRANTY, EXPRESSED OR IMPLIED, INCLUDING BUT NOT LIMITED TO ANY IMPLIED WARRANTY OF MERCHANTABILITY OR FITNESS FOR A PARTICULAR PURPOSE, IS MADE EXCEPT AS EXPRESSLY STATED HEREIN. ANY STATUTORY IMPLIED WARRANTIES, INCLUDING ANY WARRANTY OF MERCHANTABILITY OR FITNESS FOR A PARTICULAR PURPOSE, THAT ARE IMPOSED BY LAW DESPITE THE EXPRESS LIMITATION OR WARRANTIES ABOVE, ARE EXPRESSLY LIMITED TO THE DURATION OF THE WRITTEN WARRANTY. BUYER UNDERSTANDS, ACKNOWLEDGES AND AGREES THAT THE REMEDIES PROVIDED UNDER THIS LIMITED WARRANTY ARE THE SOLE AND EXCLUSIVE REMEDIES AVAILABLE TO THE BUYER. AMANO PIONEER ECLIPSE, INC. WILL NOT BE LIABLE FOR ANY OTHER OR ADDITIONAL DAMAGES, INCLUDING BUT NOT LIMITED TO INDIRECT, SPECIAL OR CONSEQUENTIAL DAMAGES ARISING OUT OF OR IN CONNECTION WITH THE FURNISHING, PERFORMANCE, USE OF OR INABILITY TO USE THE MACHINE. ANY EXTENSIONS OF OR MODIFICATIONS MADE TO THIS WARRANTY BY A DEALER/DISTRIBUTOR OF Amano Pioneer Eclipse, INC. ARE THE SOLE RESPONSIBILITY OF THE DEALER/DISTRIBUTOR.

All transportation or shipping charges resulting from the return of machines, parts, or accessories shall be the responsibility of the end-user. When returning, please provide an explanation of the problem and include the serial number of the machine as well as the name of the selling organization. The Technical Service department of the authorized Dealer Service Center or the factory will investigate and then contact you.

Transportation of hazardous waste or contaminated equipment is subject to various laws and regulations. In returning machines, parts, or accessories under this limited warranty, the end user must certify in writing that the machines, parts or accessories being returned have not been used for handling, clean up, or disposal of hazardous waste or hazardous materials including but not limited to such things as asbestos, anthrax etc. or if the machines, parts or accessories being returned have been used for handling, clean up, or disposal of hazardous waste or hazardous materials, then the end user must have the machines, parts or accessories decontaminated by licensed and qualified decontamination professionals and provide written certification of this decontamination signed by the decontamination professionals. These machines, parts or accessories are to be returned only to the local Amano Pioneer Eclipse, Inc. Authorized Service Center for Warranty service along with decontamination certification.

Amano Pioneer Eclipse, INC. Reserves the right to change its warranty policy without notice.

Clarke®
American Sanders®

Amano Pioneer Eclipse
1 Eclipse Rd
Sparta, NC 28675
336-372-8080
800-334-2246

www.pioneereclipse.com
www.americansanders.com