



PARTS BREAKDOWN GENERATOR

MODEL: PA-GH11000

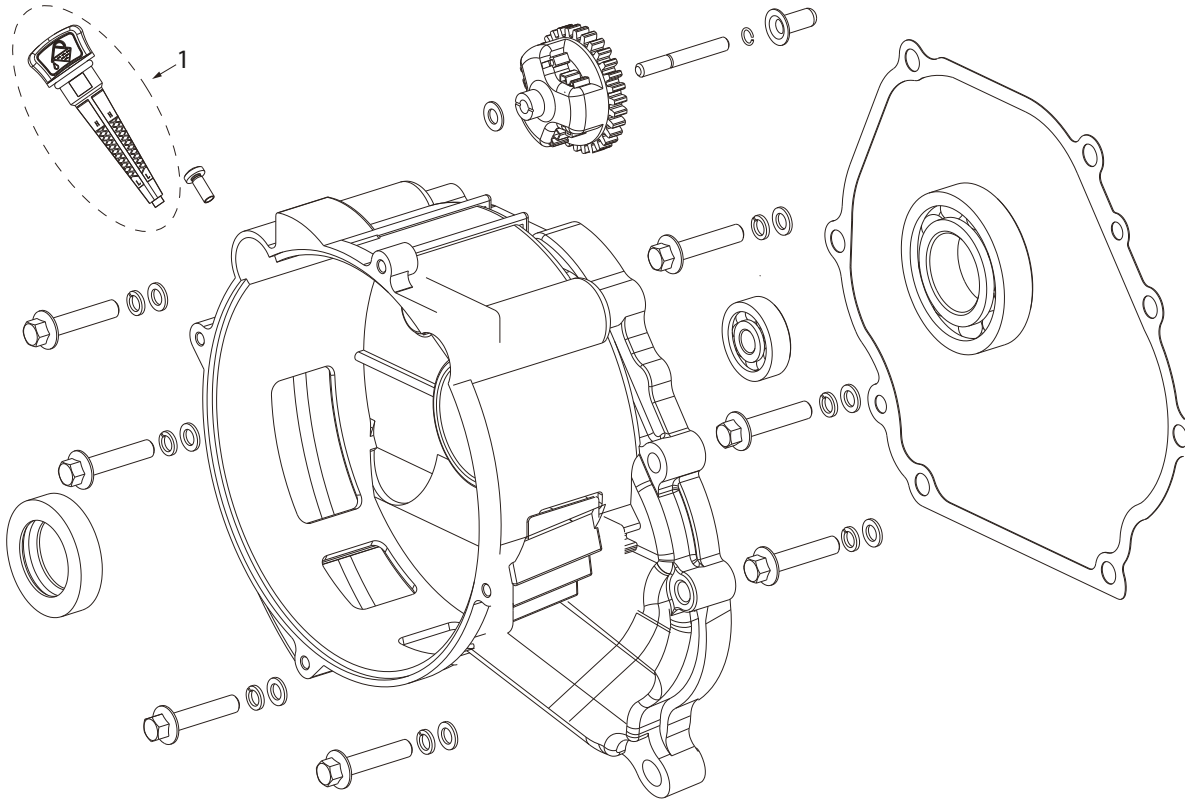




PARTS BREAKDOWN GENERATOR

MODEL: PA-GH11000

MAGNETIC DIPSTICK



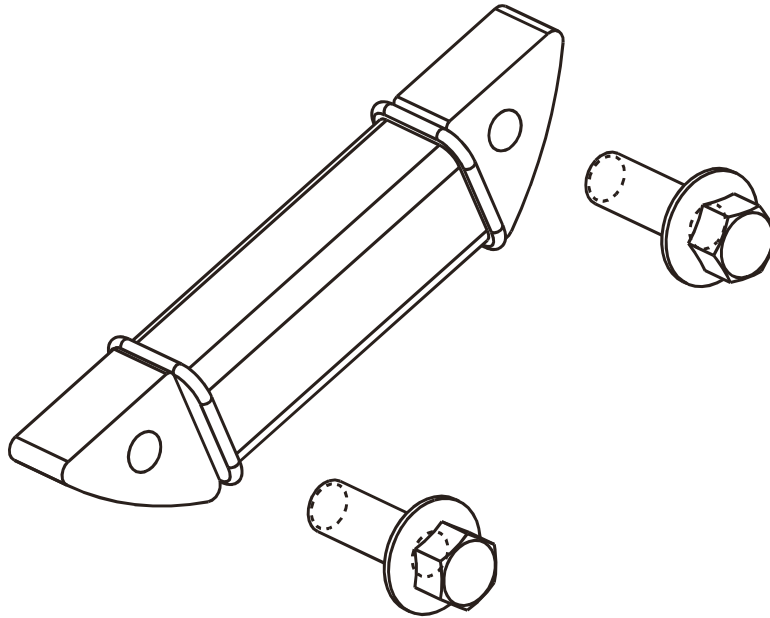
| REF # | DESCRIPTION | QTY | PART # |
|-------|-------------------|-----|--------------|
| 1 | MAGNETIC DIPSTICK | 1 | PA-P85561021 |



PARTS BREAKDOWN GENERATOR

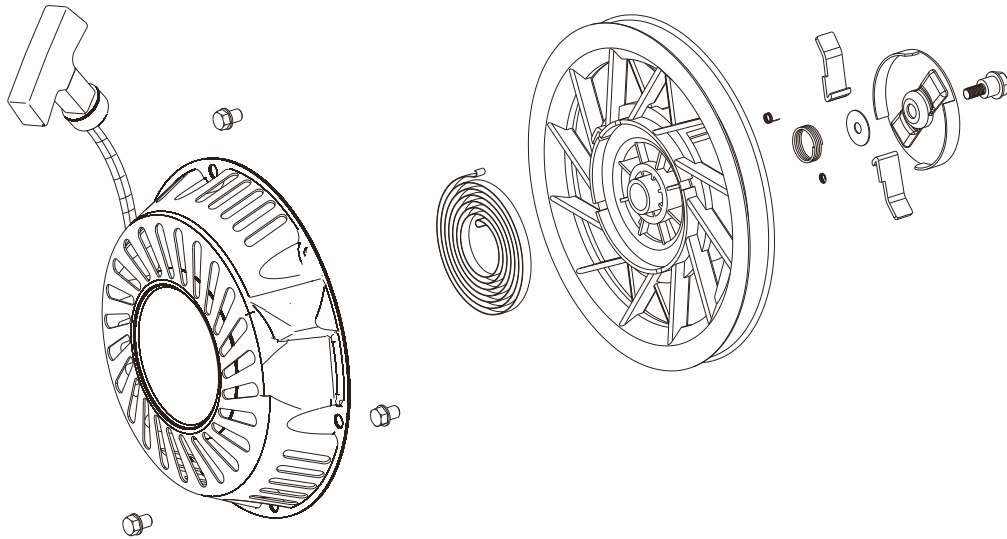
MODEL: PA-GH11000

CHARGING COIL ASSEMBLY



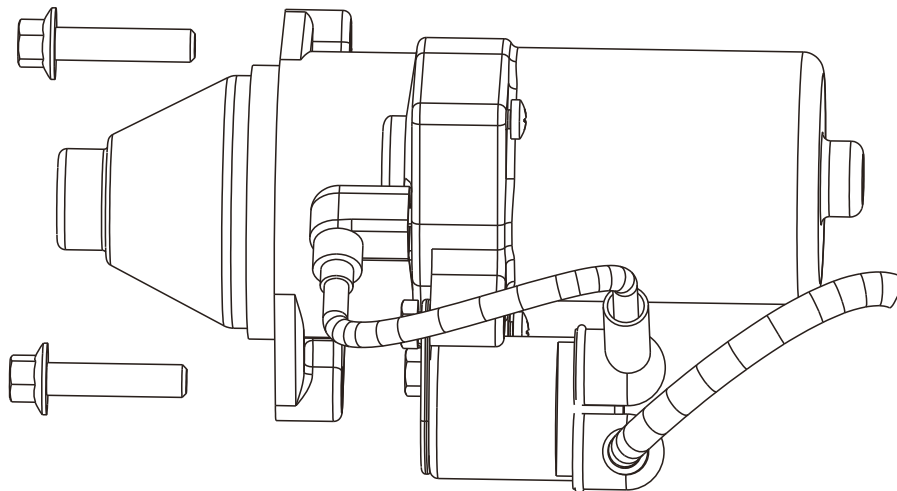
| REF # | DESCRIPTION | QTY | PART # |
|-------|---------------|-----|--------------|
| 1 | CHARGING COIL | 1 | PA-P85561029 |

RECOIL STARTER



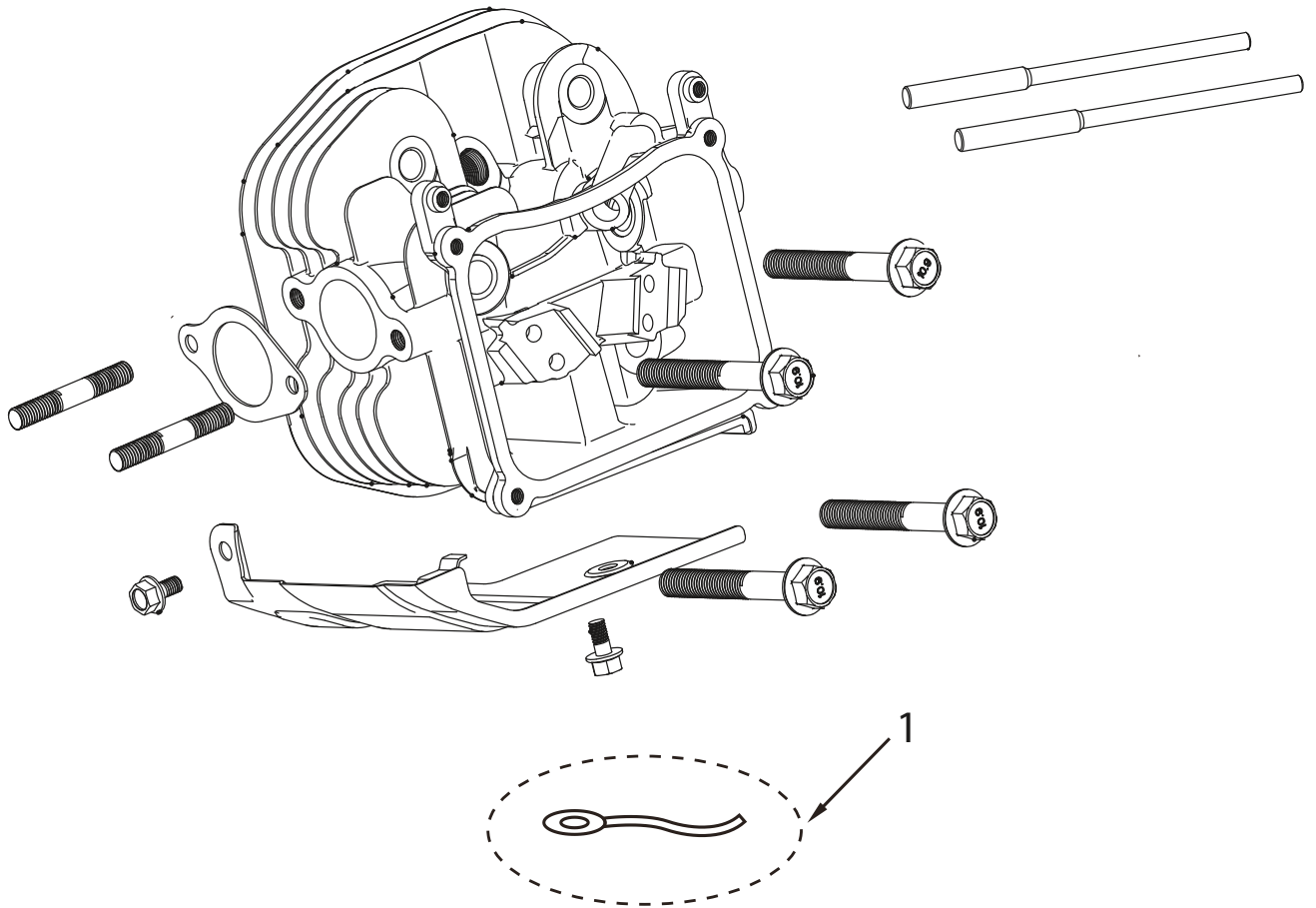
| REF # | DESCRIPTION | QTY | PART # |
|-------|-----------------|-----|--------------|
| 1 | RECOIL ASSEMBLY | 1 | PA-P85561022 |

ELECTRIC STARTER PARTS



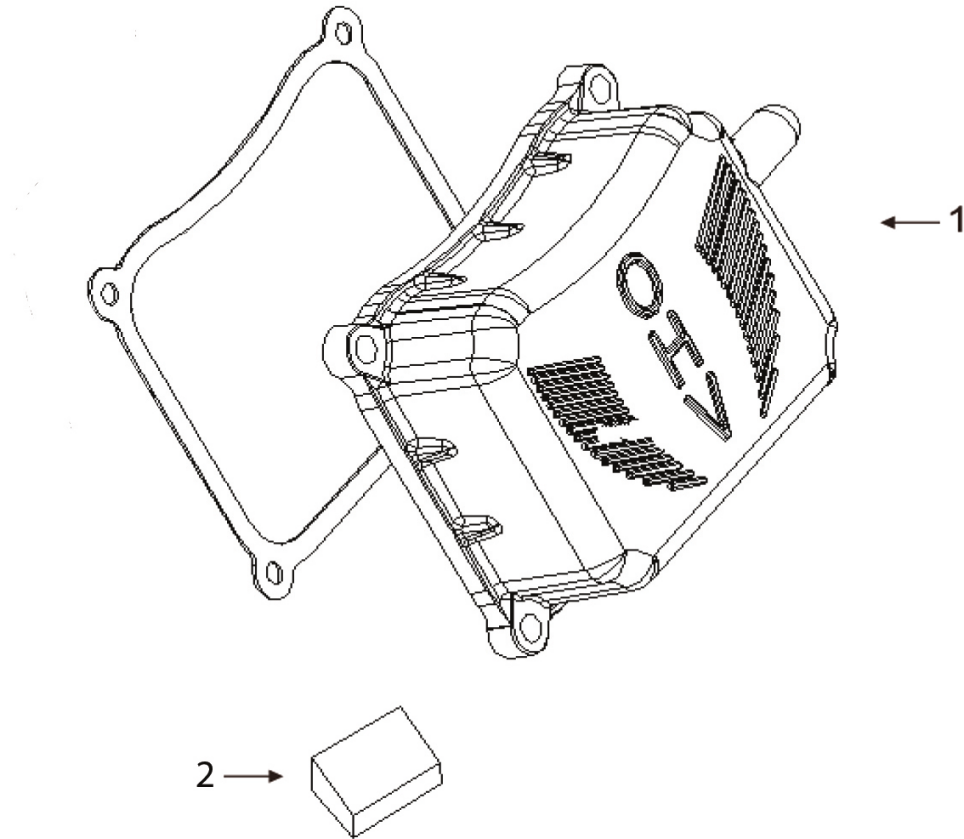
| REF # | DESCRIPTION | QTY | PART # |
|-------|-----------------------|-----|--------------|
| 1 | STARTER MOTOR W/BOLTS | 1 | PA-P85561033 |

CYLINDER HEAD PARTS



| REF # | DESCRIPTION | QTY | PART # |
|-------|--------------------|-----|--------------|
| 1 | TEMPERATURE SENSOR | 1 | PA-P85561030 |

VALVE COVER



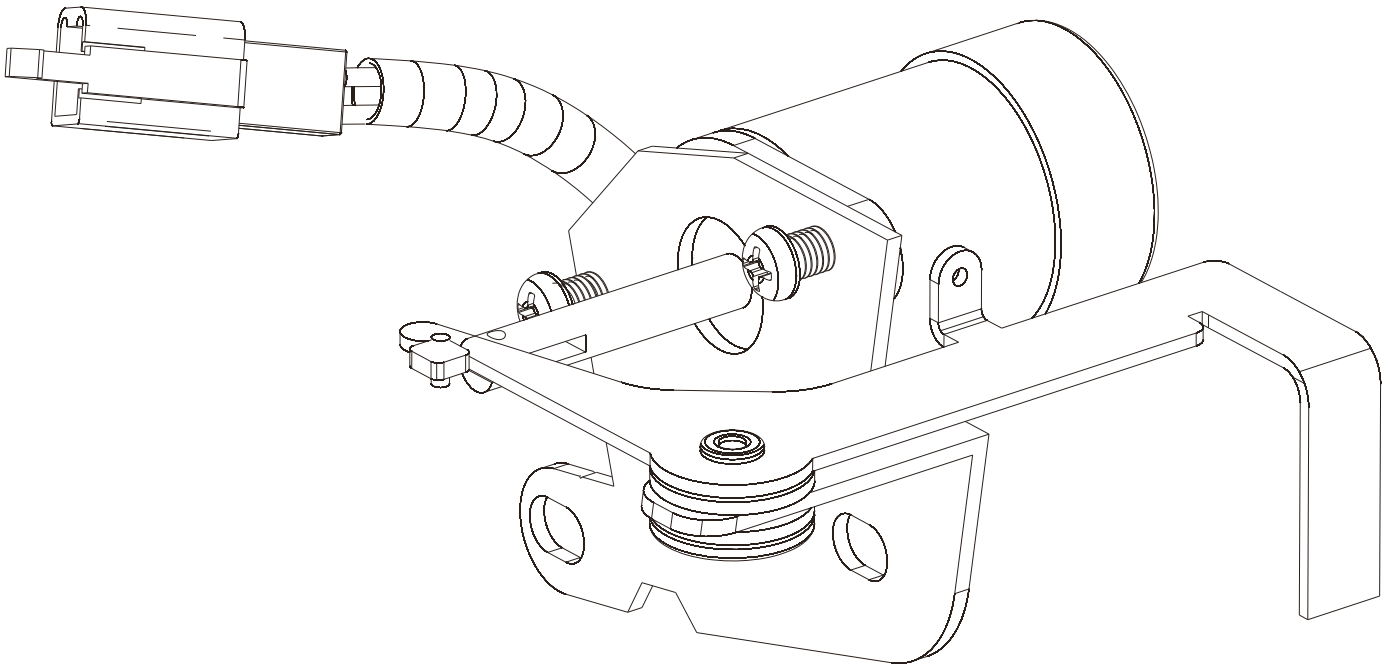
| REF # | DESCRIPTION | QTY | PART # |
|-------|----------------------|-----|--------------|
| 1 | VALVE COVER ASSEMBLY | 1 | PA-P85561094 |
| 2 | OIL STRAINER | 1 | PA-P85561096 |



PARTS BREAKDOWN GENERATOR

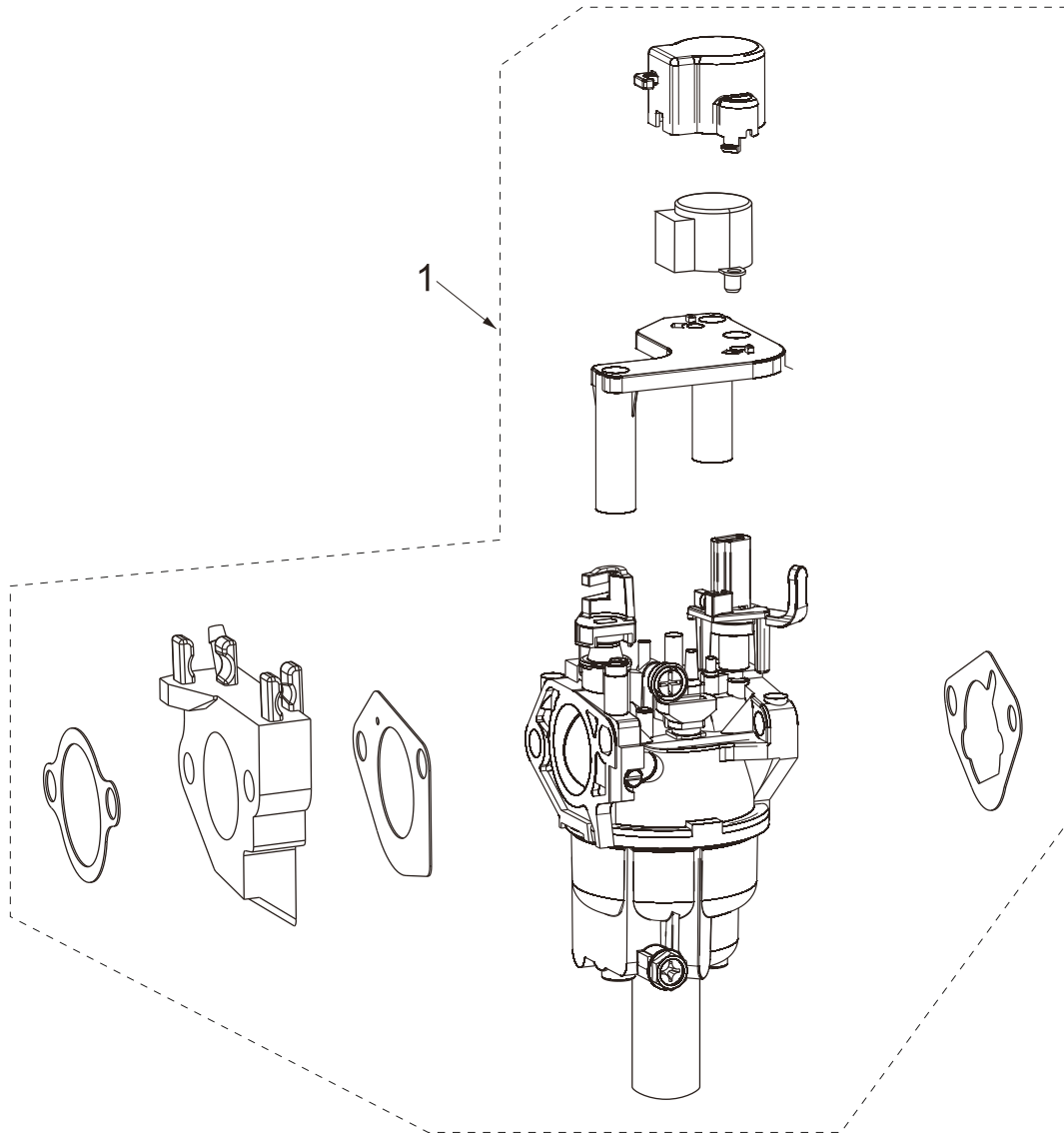
MODEL: PA-GH11000

SPEED ADJUSTMENT BASE PARTS



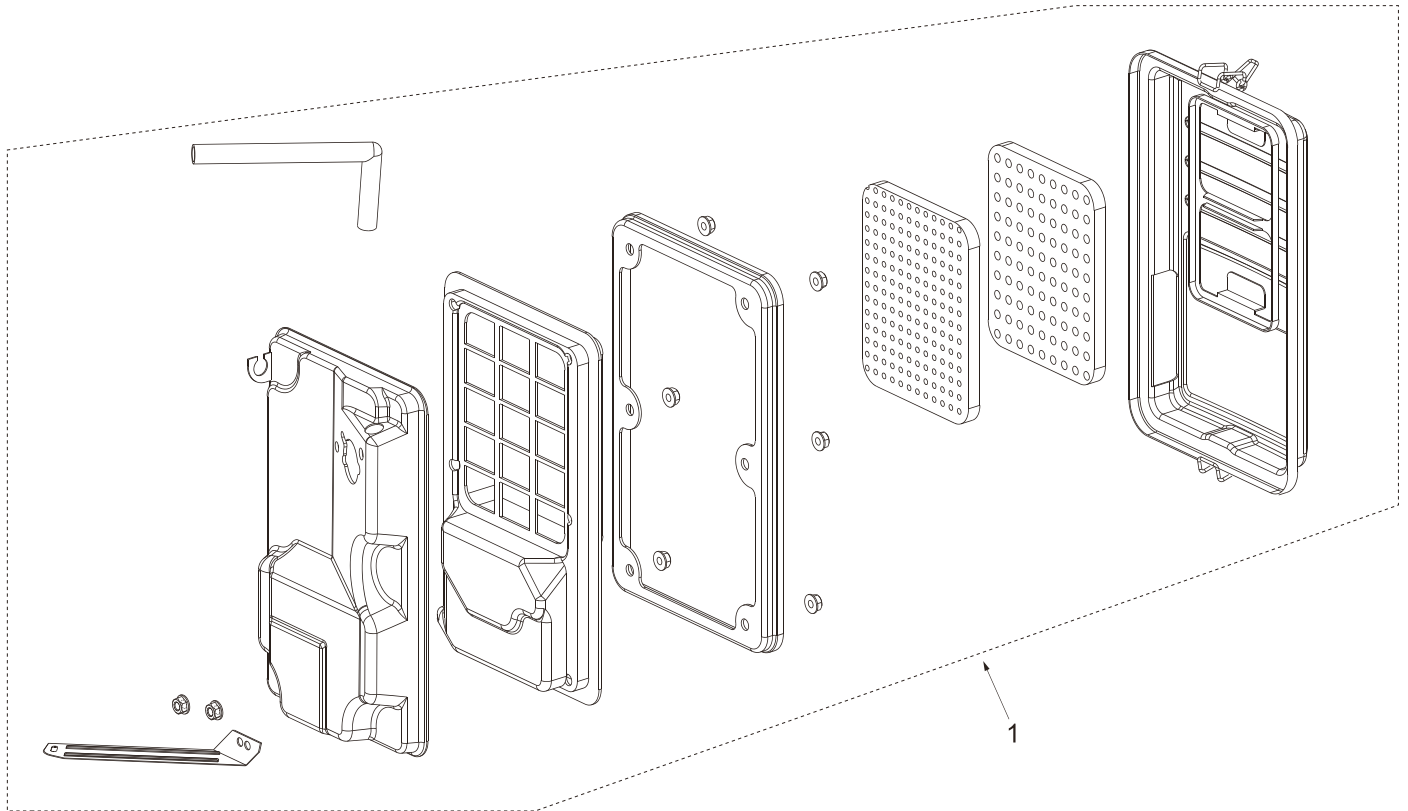
| REF # | DESCRIPTION | QTY | PART # |
|-------|---------------------------------|-----|--------------|
| 1 | SPEED REGULATING SOLENOID VALVE | 1 | PA-P85561028 |

CARBURETOR ASSEMBLY



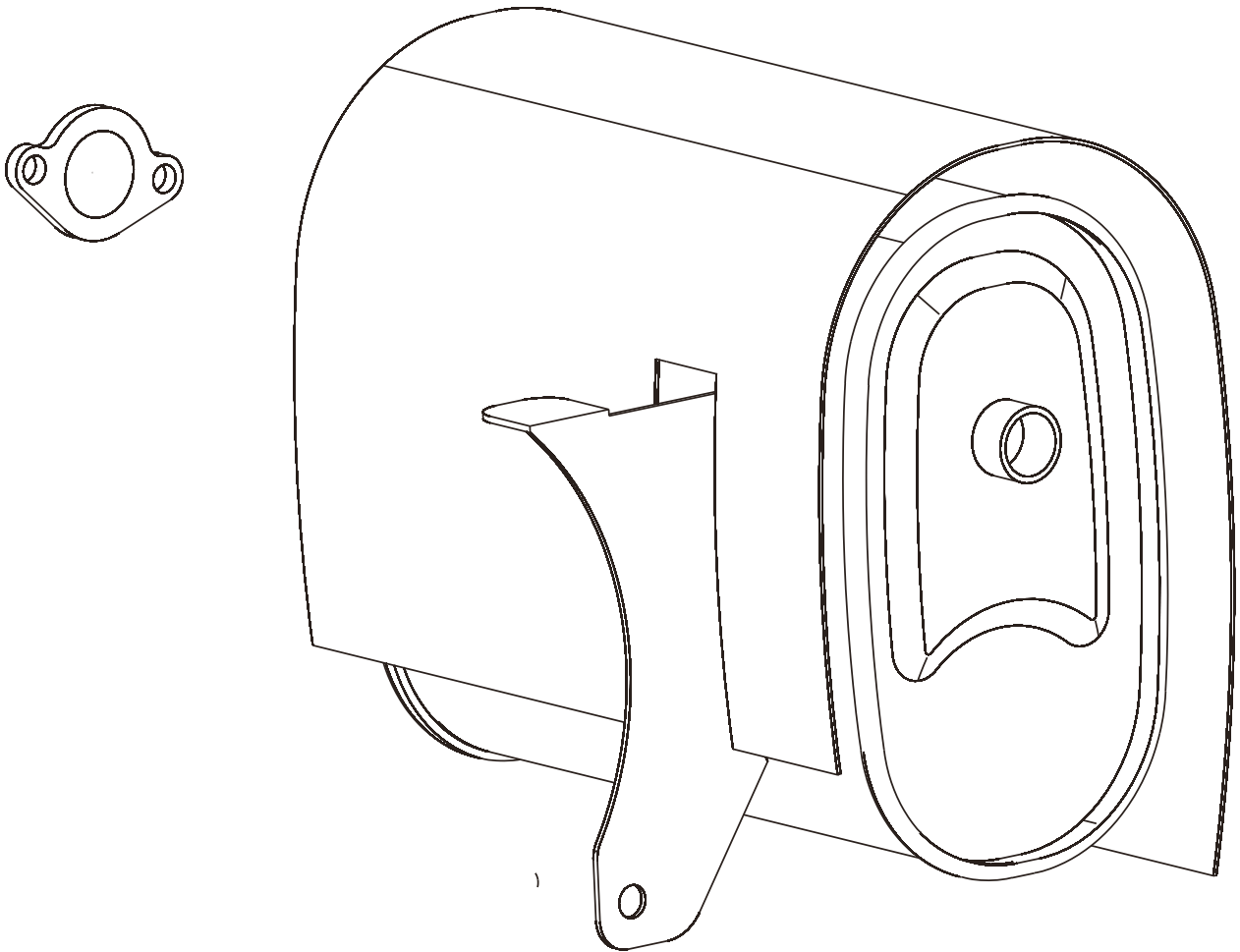
| REF # | DESCRIPTION | QTY | PART # |
|-------|---------------------|-----|--------------|
| 1 | CARBURETOR ASSEMBLY | 1 | PA-P85561031 |

AIR CLEANER



| REF # | DESCRIPTION | QTY | PART # |
|-------|----------------------|-----|--------------|
| 1 | AIR CLEANER ASSEMBLY | 1 | PA-P85561024 |

MUFFLER PARTS



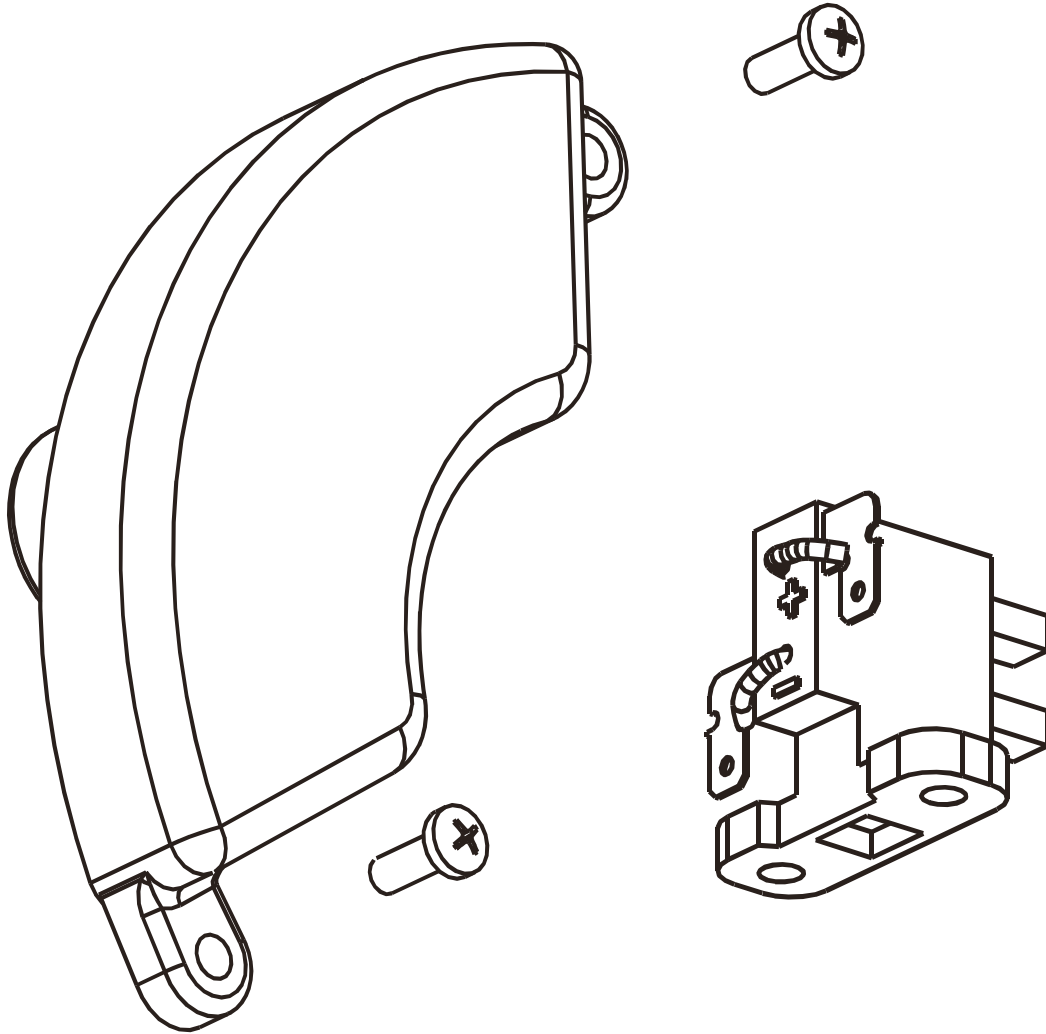
| REF # | DESCRIPTION | QTY | PART # |
|-------|--------------------|-----|--------------|
| 1 | MUFFLER AND GASKET | 1 | PA-P85561097 |



PARTS BREAKDOWN GENERATOR

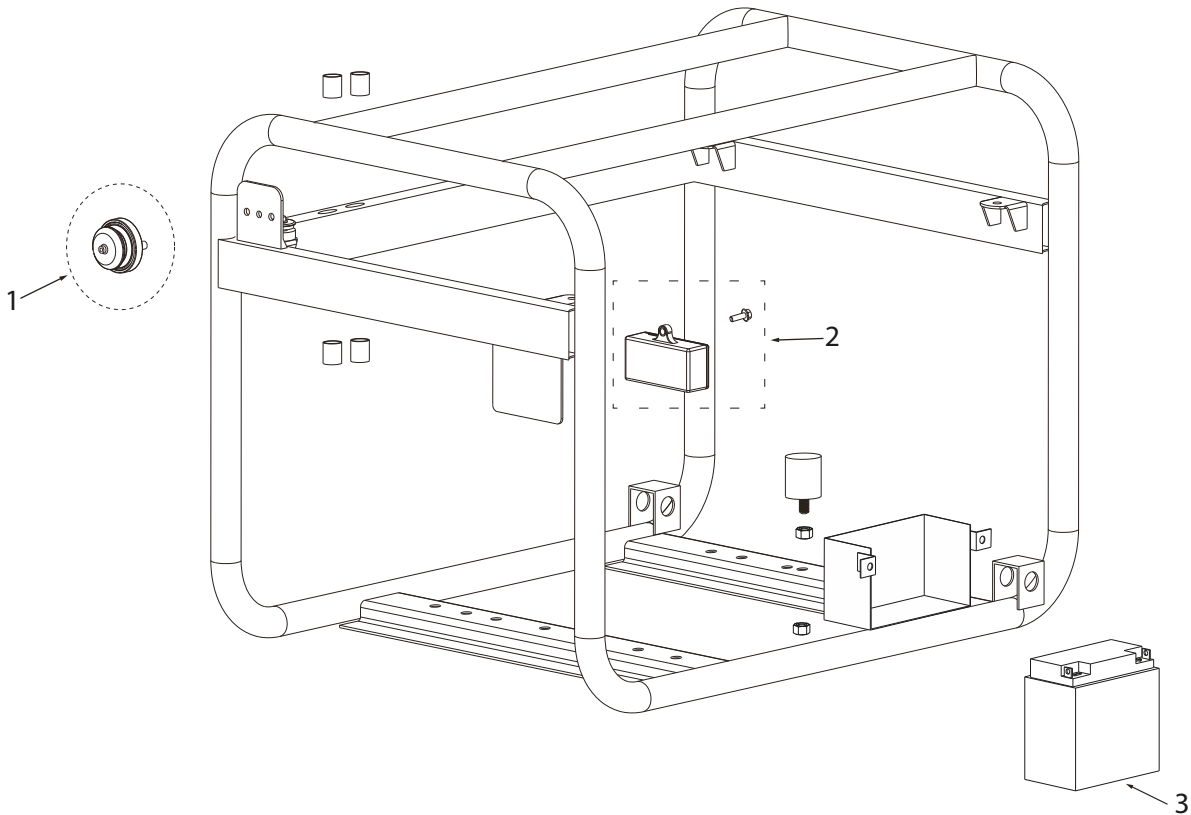
MODEL: PA-GH11000

VOLTAGE REGULATOR W/BRUSHES



| REF # | DESCRIPTION | QTY | PART # |
|-------|-----------------|-----|--------------|
| 1 | AVR AND BRUSHES | 1 | PA-P85561025 |

FRAME PARTS



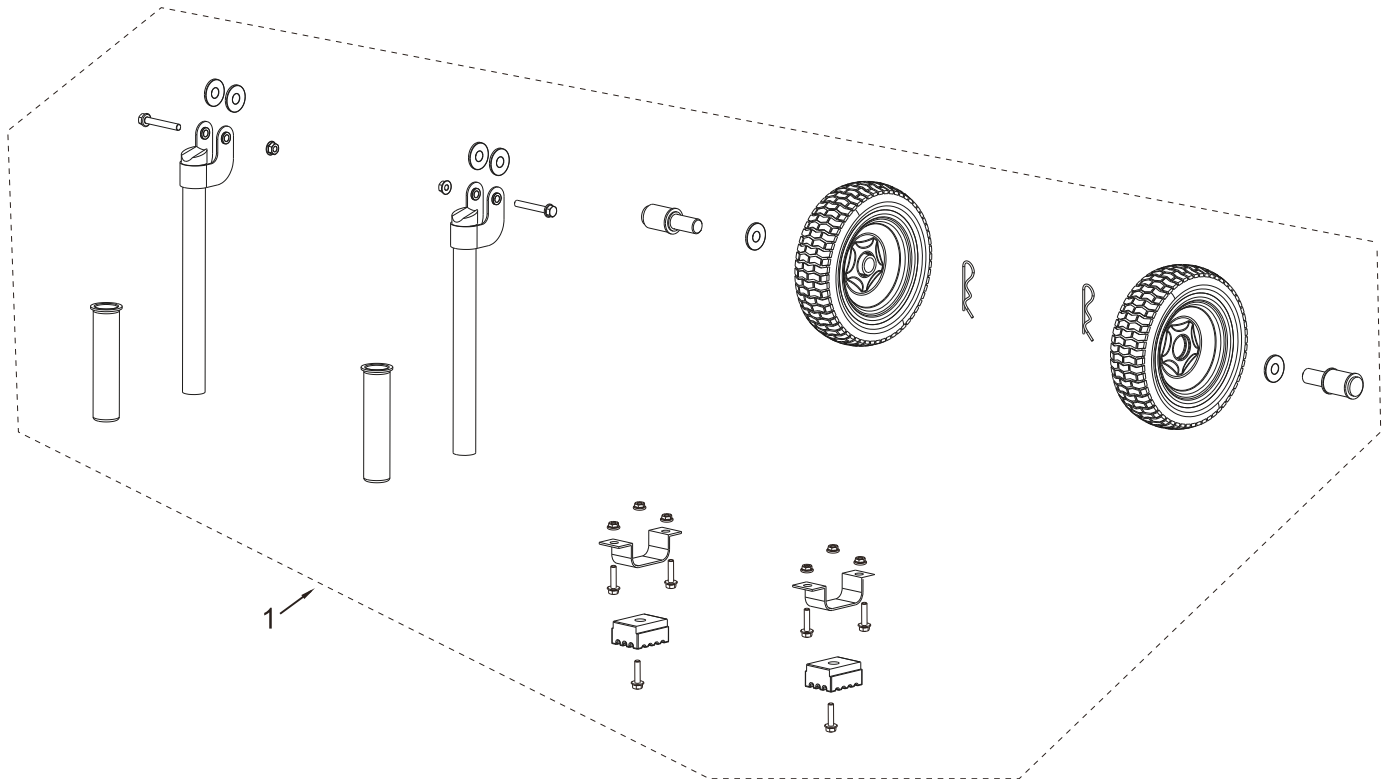
| REF # | DESCRIPTION | QTY | PART # |
|-------|---------------------|-----|--------------|
| 1 | COLD WEATHER PRIMER | 1 | PA-P85561005 |
| 2 | CO ALARM | 1 | PA-P85561006 |
| 3 | LITHIUM BATTERY | 1 | PA-P85561032 |



PARTS BREAKDOWN GENERATOR

MODEL: PA-GH11000

WHEEL AND HANDLE SET



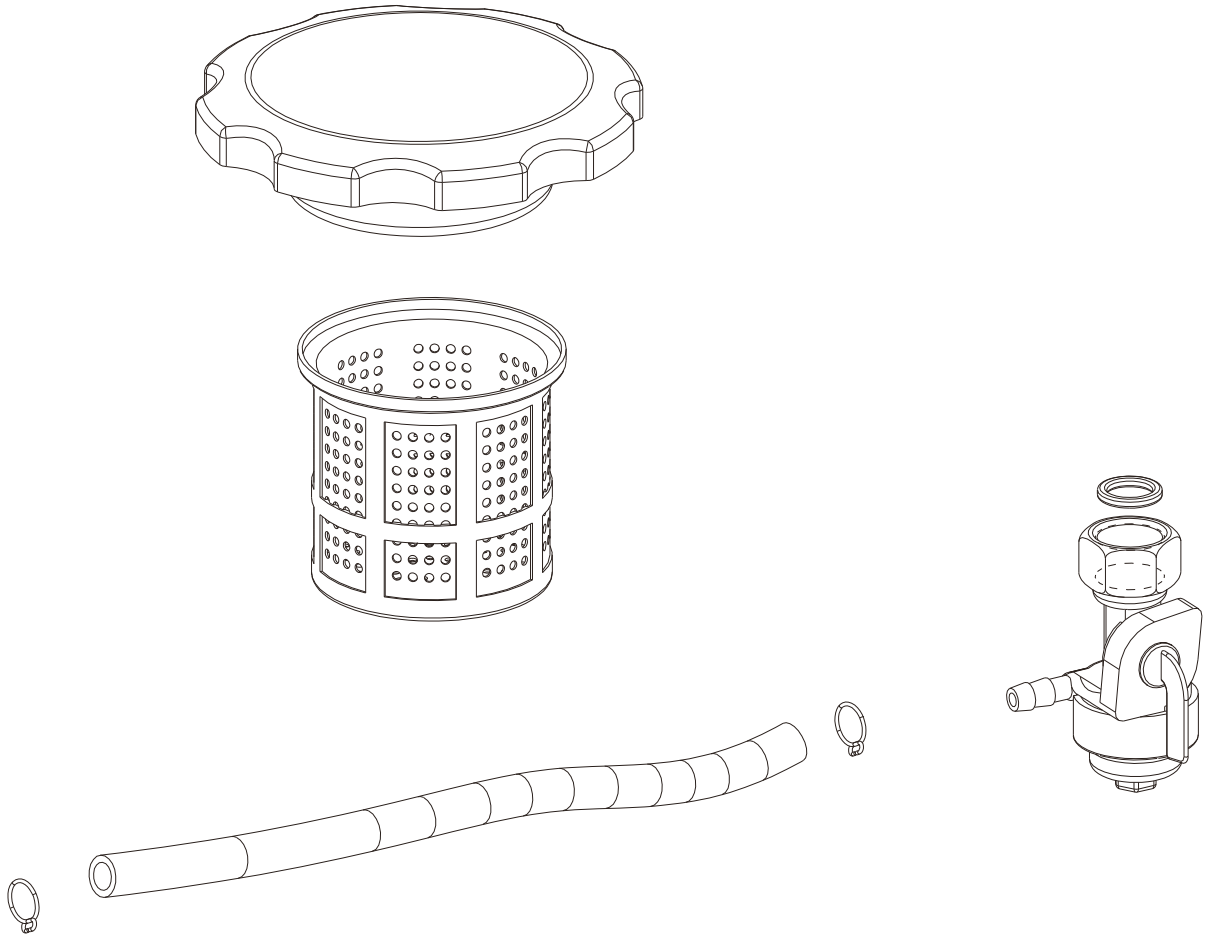
| REF # | DESCRIPTION | QTY | PART # |
|-------|----------------------|-----|--------------|
| 1 | WHEEL AND HANDLE SET | 2 | PA-P85561026 |



PARTS BREAKDOWN GENERATOR

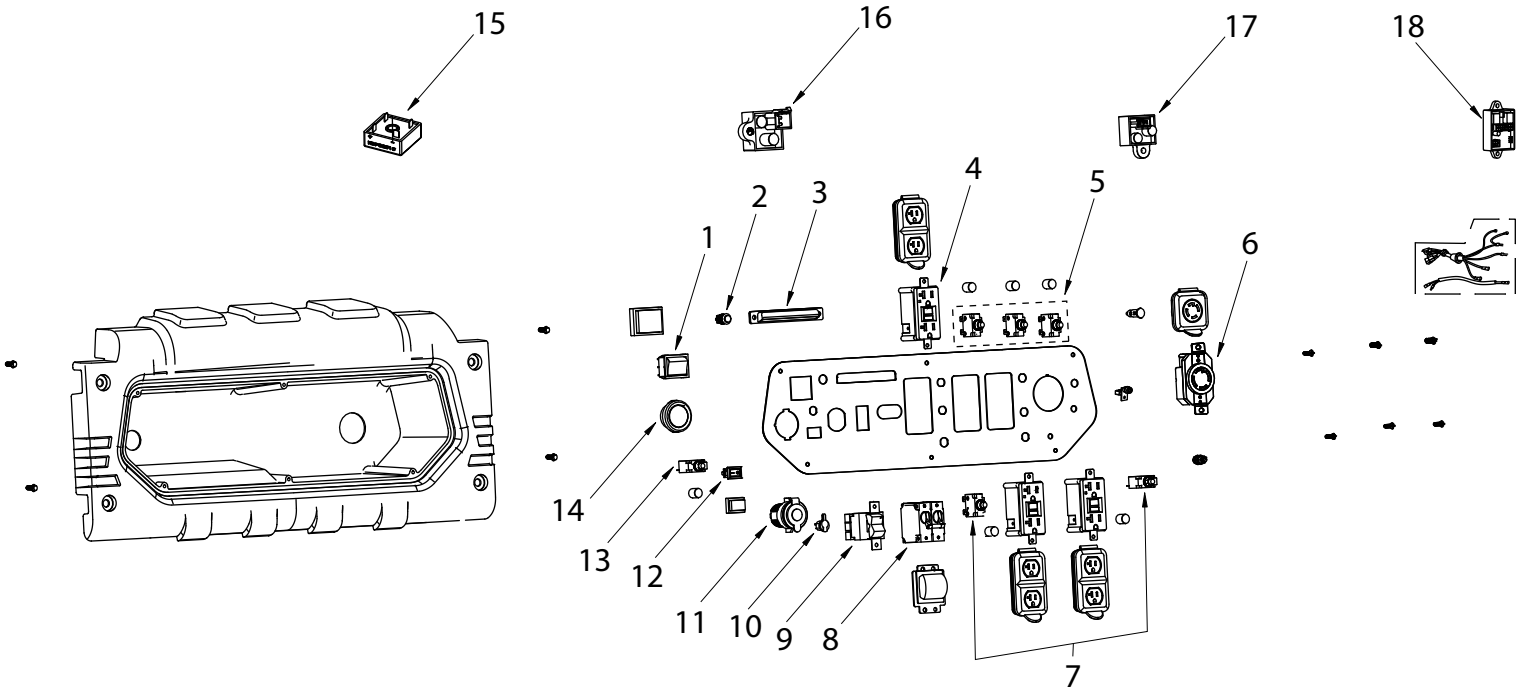
MODEL: PA-GH11000

FUEL TANK ASSEMBLY



| REF # | DESCRIPTION | QTY | PART # |
|-------|--------------------------|-----|--------------|
| 1 | FUEL TANK COVER ASSEMBLY | 1 | PA-P85561027 |

CONTROL PANEL



| REF # | DESCRIPTION | QTY | PART # |
|-------|--------------------------------|-----|--------------|
| 1 | ENGINE SWITCH | 1 | PA-P85561154 |
| 2 | LED SWITCH | 1 | PA-P85561136 |
| 3 | LED LIGHT | 1 | PA-P85561155 |
| 4 | AC RECEPTACLE(GFCI) AC125V/20A | 3 | PA-P85561146 |
| 5 | PROTECTOR 20A | 3 | PA-P85561141 |
| 6 | AC RECEPTACLE AC125V250V/30A | 1 | PA-P85561145 |
| 7 | PROTECTOR 30A | 2 | PA-P85561149 |
| 8 | CIRCUIT BREAKER 2P-32A | 1 | PA-P85561156 |
| 9 | VOLTAGE SWITCH | 1 | PA-P85561143 |
| 10 | BATTERY CHARGER | 1 | PA-P85561157 |
| 11 | DC12V | 1 | PA-P85561148 |
| 12 | IDLE SWITCH | 1 | PA-P85561153 |
| 13 | DC THERMAL PROTECTION 8A | 1 | PA-P85561147 |
| 14 | ONE-CLICK START SWITCH | 1 | PA-P85561158 |
| 15 | RECTIFIER BRIDGE | 1 | PA-P85571049 |
| 16 | DC08 | 1 | PA-P85561142 |
| 17 | CHARGER MODULE | 1 | PA-P85561159 |
| 18 | ONE-CLICK START MODULE | 1 | PA-P85561160 |

patron[®]

